



Chipsmall Limited consists of a professional team with an average of over 10 year of expertise in the distribution of electronic components. Based in Hongkong, we have already established firm and mutual-benefit business relationships with customers from,Europe,America and south Asia,supplying obsolete and hard-to-find components to meet their specific needs.

With the principle of “Quality Parts,Customers Priority,Honest Operation,and Considerate Service”,our business mainly focus on the distribution of electronic components. Line cards we deal with include Microchip,ALPS,ROHM,Xilinx,Pulse,ON,Everlight and Freescale. Main products comprise IC,Modules,Potentiometer,IC Socket,Relay,Connector.Our parts cover such applications as commercial,industrial, and automotives areas.

We are looking forward to setting up business relationship with you and hope to provide you with the best service and solution. Let us make a better world for our industry!



## Contact us

Tel: +86-755-8981 8866 Fax: +86-755-8427 6832

Email & Skype: info@chipsmall.com Web: www.chipsmall.com

Address: A1208, Overseas Decoration Building, #122 Zhenhua RD., Futian, Shenzhen, China

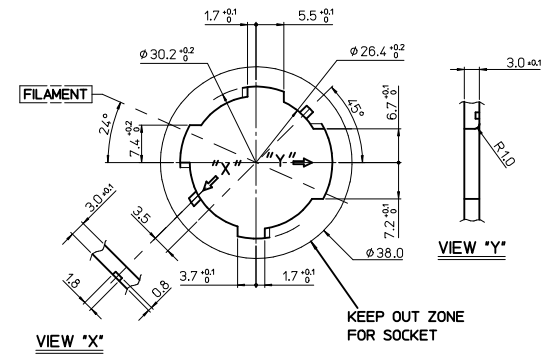
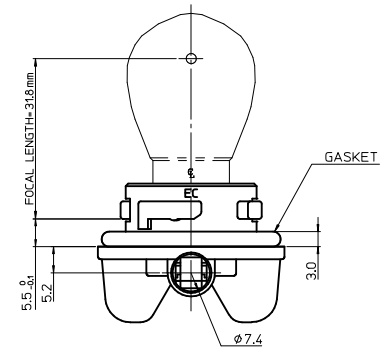
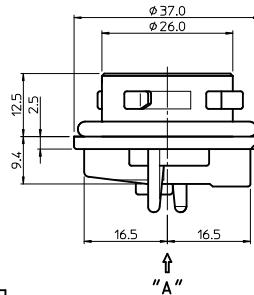
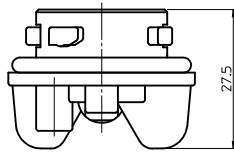
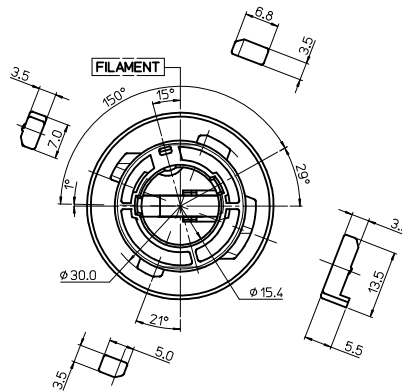
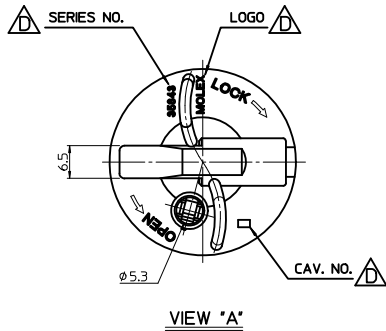


- NOTES  
 1. FOCAL LENGTH = 31.8mm  
 2. PRODUCT SPECIFICATION: PS-35842-001  
 3. APPLICABLE BULB CAP: PY21W(BAU15s)  
 4. MATES WITH

<PART LIST>

NO.	DESCRIPTION	MATERIAL	USAGE	REMARK
①	SINGLE SOCKET	PA66 M/F	1	EC TYPE
②	SEAL GASKET	NBR	1	BLACK

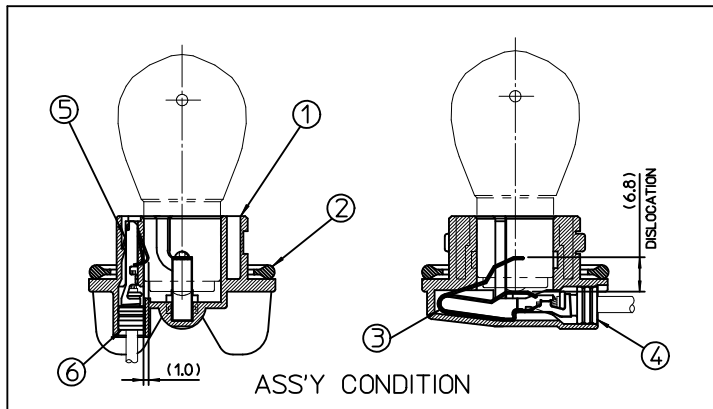
NO.	DESCRIPTION	MATERIAL	ORDER NO.	REMARK
③	POSITIVE TERMINAL	PHOSPHOR BRONZE	35464-8000	UNPLATED
④	POSITIVER WIRE SEAL	SILICONE	35903-0096	BROWN
⑤	EARTH TERMINAL	PHOSPHOR BRONZE	35465-8000	UNPLATED
⑥	EARTH WIRE SEAL	SILICONE	35903-0106	BLUE



MOUNTING INTERFACE (MI-1)

<TABLE 1>

MATERIAL NO.	ORDER NO.	COLOR
358431230	35843-1230	NATURAL
358431235	35843-1235	GRAY
358431236	35843-1236	WHITE
358431237	35843-1237	BROWN



REVISED EC NO: KOR2010-0146 DRWNEOKIM 2010/04/05 CHKD-WYANG 2010/04/05 APPR: YUNSIKKIM 2010/04/06	QUALITY SYMBOLS	GENERAL TOLERANCES (UNLESS SPECIFIED)	DIMENSION STYLE	SCALE	DESIGN UNITS	THIRD ANGLE PROJECTION	
	▽=0 ◻=0	mm INCH 4 PLACES ± --- ± --- 3 PLACES ± --- ± --- 2 PLACES ± 0.15 ± --- 1 PLACE ± 0.25 ± --- ANGULAR ± 2 °	MM ONLY	1:1	METRIC		
		DRAFT WHERE APPLICABLE MUST REMAIN WITHIN DIMENSIONS	DRAWN BY	DATE	TITLE		
			YSIKKIM	1999/05/13	SEALED PT BULB SOCKET SINGLE HOUSING ASS'Y (EC-TYPE)		
			CHECKED BY	DATE			
			BKCHOI	1999/05/13			
			APPROVED BY	DATE			
			CWLEE	1999/05/13			
			MATERIAL NO.	DOCUMENT NO.			
			SEE TABLE 1				
			SIZE				
			A3				
			THIS DRAWING CONTAINS INFORMATION THAT IS PROPRIETARY TO MOLEX INCORPORATED AND SHOULD NOT BE USED WITHOUT WRITTEN PERMISSION				