



Chipsmall Limited consists of a professional team with an average of over 10 year of expertise in the distribution of electronic components. Based in Hongkong, we have already established firm and mutual-benefit business relationships with customers from,Europe,America and south Asia,supplying obsolete and hard-to-find components to meet their specific needs.

With the principle of "Quality Parts,Customers Priority,Honest Operation,and Considerate Service",our business mainly focus on the distribution of electronic components. Line cards we deal with include Microchip,ALPS,ROHM,Xilinx,Pulse,ON,Everlight and Freescale. Main products comprise IC,Modules,Potentiometer,IC Socket,Relay,Connector.Our parts cover such applications as commercial,industrial, and automotives areas.

We are looking forward to setting up business relationship with you and hope to provide you with the best service and solution. Let us make a better world for our industry!



Contact us

Tel: +86-755-8981 8866 Fax: +86-755-8427 6832

Email & Skype: info@chipsmall.com Web: www.chipsmall.com

Address: A1208, Overseas Decoration Building, #122 Zhenhua RD., Futian, Shenzhen, China

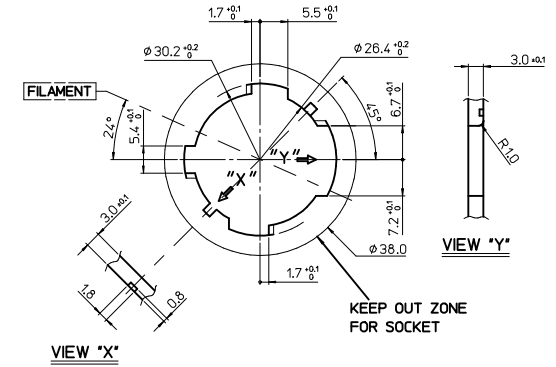
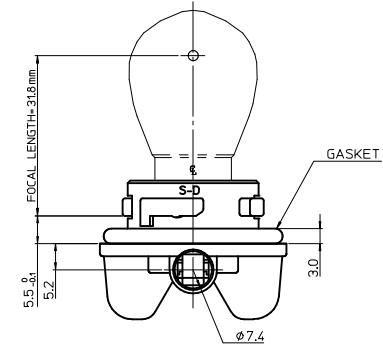
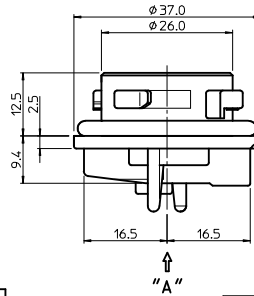
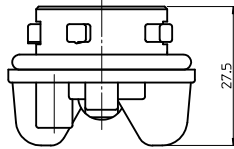
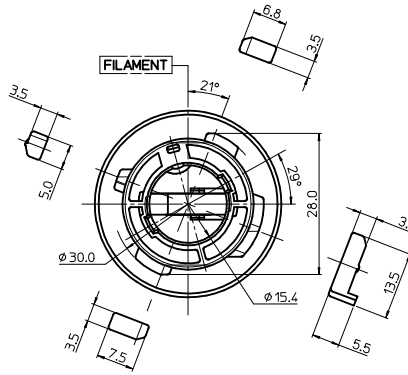
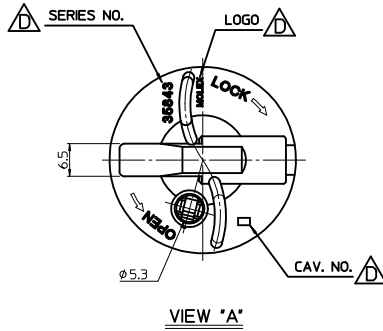


- NOTES
 1. FOCAL LENGTH = 31.8mm
 2. PRODUCT SPECIFICATION: PS-35842-001
 3. APPLICABLE BULB CAP: P21W(BA15s)
 4. MATES WITH

<PART LIST>

NO.	DESCRIPTION	MATERIAL	USAGE	REMARK
①	SINGLE SOCKET	PA66 M/F	1	D TYPE
②	SEAL GASKET	NBR	1	BLACK

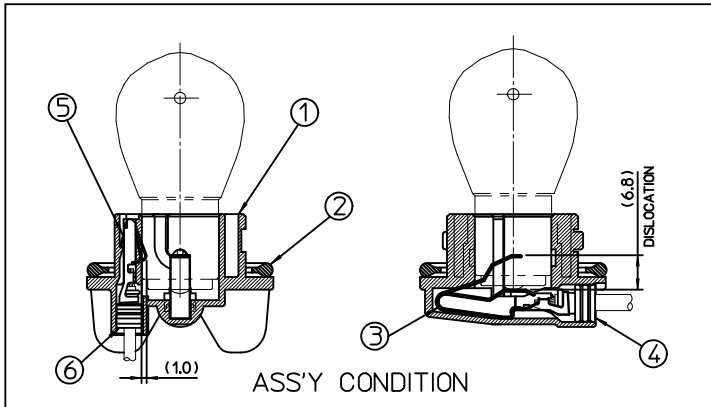
NO.	DESCRIPTION	MATERIAL	ORDER NO.	REMARK
③	POSITIVE TERMINAL	PHOSPHOR BRONZE	35464-8000	UNPLATED
④	POSITIVER WIRE SEAL	SILICONE	35903-0096	BROWN
⑤	EARTH TERMINAL	PHOSPHOR BRONZE	35465-8000	UNPLATED
⑥	EARTH WIRE SEAL	SILICONE	35903-0106	BLUE



MOUNTING INTERFACE
(MI-4)

<TABLE 1>

MATERIAL NO.	ORDER NO.	COLOR
358431240	35843-1240	NATURAL
358431245	35843-1245	GRAY
358431246	35843-1246	WHITE
358431247	35843-1247	BROWN



REV	DESCRIPTION	DATE	BY
D	REVISED	2010/04/05	YSIKKIM
	EC NO: KOR2010-0146	2010/04/05	DRWNEKIM
	CHKD: WYANG	2010/04/05	CHYK: WYANG
	APPR: YUNSIKKIM	2010/04/06	APPR: YUNSIKKIM

QUALITY SYMBOLS		GENERAL TOLERANCES (UNLESS SPECIFIED)	
$\nabla = 0$		mm	INCH
$\nabla = 0$			
	4 PLACES	± ---	± ---
	3 PLACES	± ---	± ---
	2 PLACES	± 0.15	± ---
	1 PLACE	± 0.25	± ---
		ANGULAR ± 2 °	
DRAFT WHERE APPLICABLE MUST REMAIN WITHIN DIMENSIONS			

DIMENSION STYLE		SCALE	DESIGN UNITS	THIRD ANGLE PROJECTION
MM ONLY		1:1	METRIC	
DRAWN BY	DATE	TITLE		
YSIKKIM	1999/06/08	SEALED PT BULB SOCKET SINGLE HOUSING ASS'Y (D-TYPE)		
CHECKED BY	DATE	MOLEX INCORPORATED		
BKCHOI	1999/06/08	MOLEX INCORPORATED		
APPROVED BY	DATE	DOCUMENT NO.		
CWLEE	1999/06/08	SD-35843-004		
MATERIAL NO.		SHEET NO.		
SEE TABLE 1		1 OF 1		

DRAWN BY		DATE	TITLE
YSIKKIM		1999/06/08	SEALED PT BULB SOCKET SINGLE HOUSING ASS'Y (D-TYPE)
CHECKED BY		DATE	MOLEX INCORPORATED
BKCHOI		1999/06/08	MOLEX INCORPORATED
APPROVED BY		DATE	DOCUMENT NO.
CWLEE		1999/06/08	SD-35843-004
MATERIAL NO.			SHEET NO.
SEE TABLE 1		1 OF 1	