



Chipsmall Limited consists of a professional team with an average of over 10 year of expertise in the distribution of electronic components. Based in Hongkong, we have already established firm and mutual-benefit business relationships with customers from,Europe,America and south Asia,supplying obsolete and hard-to-find components to meet their specific needs.

With the principle of “Quality Parts,Customers Priority,Honest Operation,and Considerate Service”,our business mainly focus on the distribution of electronic components. Line cards we deal with include Microchip,ALPS,ROHM,Xilinx,Pulse,ON,Everlight and Freescale. Main products comprise IC,Modules,Potentiometer,IC Socket,Relay,Connector.Our parts cover such applications as commercial,industrial, and automotives areas.

We are looking forward to setting up business relationship with you and hope to provide you with the best service and solution. Let us make a better world for our industry!



Contact us

Tel: +86-755-8981 8866 Fax: +86-755-8427 6832

Email & Skype: info@chipsmall.com Web: www.chipsmall.com

Address: A1208, Overseas Decoration Building, #122 Zhenhua RD., Futian, Shenzhen, China



7

6

5

4

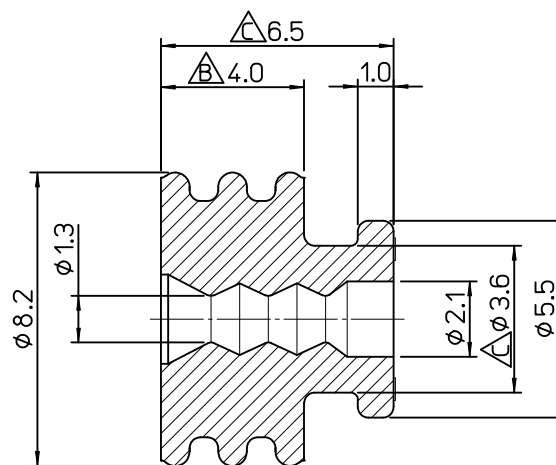
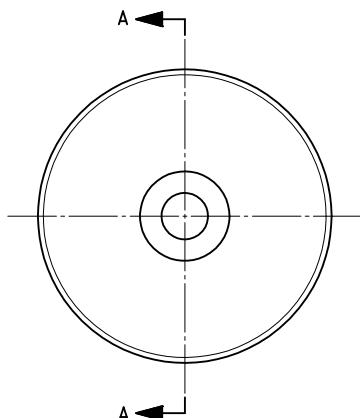
3

2

1

NOTES

1. MATERIAL: LUBRICATED SILICONE RUBBER
COLOR: BROWN
2. APPLICABLE WIRE SIZE: AVS0.5~0.85SQ
3. APPLICABLE TERMINAL: 35464-8000
4. APPLICABLE SOCKET: 35842, 35843



SECTION A-A

<TABLE 1>

359030096	35903-0096
MATERIAL NO.	ORDER NO.

REVISED EC NO: KOR2010-0141 DRW: EOKIM 2010/03/10 CHK: WYANG 2010/03/10 APPR: YUNSIKKIM 2010/03/11	DESCRIPTION REV	QUALITY SYMBOLS =0 =0	GENERAL TOLERANCES (UNLESS SPECIFIED)		DIMENSION STYLE MM ONLY		SCALE 5:1	DESIGN UNITS METRIC	THIRD ANGLE PROJECTION 		
										WIRE SEAL FOR POSITIVE TERMINAL MOLEX INCORPORATED	
			4 PLACES	± ---	± ---	DRAWN BY YSIKKIM	DATE 1999/05/26	TITLE			
			3 PLACES	± ---	± ---	CHECKED BY BKCHOI	DATE 1999/05/26				
2 PLACES	± 0.1	± ---	APPROVED BY CWLEE	DATE 1999/05/26							
1 PLACE	± 0.2	± ---	ANGULAR ± 1 °		MATERIAL NO. SEE TABLE 1		DOCUMENT NO. SD-35903-0096		SHEET NO. 1 OF 1		
DRAFT WHERE APPLICABLE MUST REMAIN WITHIN DIMENSIONS			THIS DRAWING CONTAINS INFORMATION THAT IS PROPRIETARY TO MOLEX INCORPORATED AND SHOULD NOT BE USED WITHOUT WRITTEN PERMISSION								

6

5

4

3

2

1

7

6

5

4

3

2

1

E

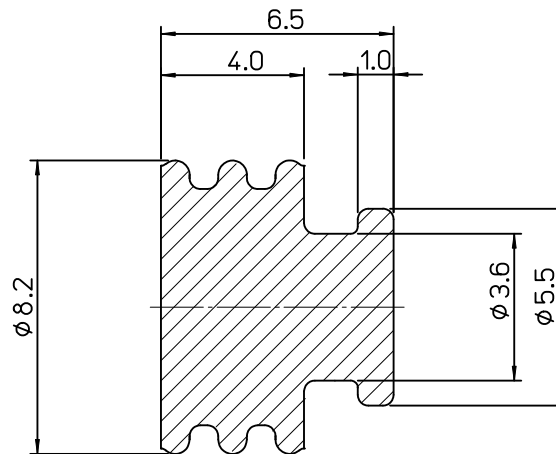
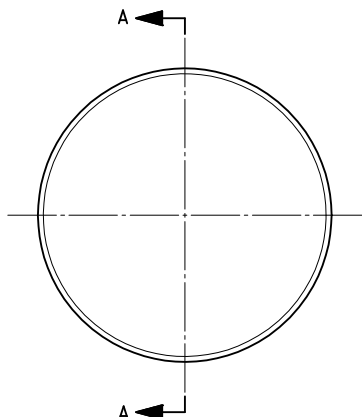
D

C

B

A

NOTES
 1.MATERIAL:LUBRICATED SILICONE RUBBER
 COLOR;BROWN
 2.APPLICABLE SOCKET:35842



SECTION A-A

<TABLE 1>

359030109	35903-0109
MATERIAL NO.	ORDER NO.

NEW RELEASE EC NO: KTR2012-0022 DRWN: HIMOON 2011/09/23 CHKD: BCYOON 2011/09/23 APPR: YUNSIKKIM 2011/11/03	QUALITY SYMBOLS = 0 = 0	GENERAL TOLERANCES (UNLESS SPECIFIED)		DIMENSION STYLE MM ONLY		SCALE 5:1	DESIGN UNITS METRIC	THIRD ANGLE PROJECTION		
			mm	INCH	DRAWN BY YSIKKIM	DATE 1999/05/26	TITLE DUMMY SEAL			
		4 PLACES	± ---	± ---	CHECKED BY BKCHOI	DATE 1999/05/26	MOLEX INCORPORATED DOCUMENT NO. SD-35903-109 SHEET NO. 1 OF 1			
		3 PLACES	± ---	± ---	APPROVED BY YUNSIKKIM	DATE 2011/11/03				
2 PLACES	± 0.1	± ---	ANGULAR ± 1 °		MATERIAL NO. SEE TABLE1					
1 PLACE	± 0.2	± ---	DRAFT WHERE APPLICABLE MUST REMAIN WITHIN DIMENSIONS		SIZE A 4		THIS DRAWING CONTAINS INFORMATION THAT IS PROPRIETARY TO MOLEX INCORPORATED AND SHOULD NOT BE USED WITHOUT WRITTEN PERMISSION			

6

5

4

3

2

1