



Chipsmall Limited consists of a professional team with an average of over 10 year of expertise in the distribution of electronic components. Based in Hongkong, we have already established firm and mutual-benefit business relationships with customers from,Europe,America and south Asia,supplying obsolete and hard-to-find components to meet their specific needs.

With the principle of “Quality Parts,Customers Priority,Honest Operation,and Considerate Service”,our business mainly focus on the distribution of electronic components. Line cards we deal with include Microchip,ALPS,ROHM,Xilinx,Pulse,ON,Everlight and Freescale. Main products comprise IC,Modules,Potentiometer,IC Socket,Relay,Connector.Our parts cover such applications as commercial,industrial, and automotives areas.

We are looking forward to setting up business relationship with you and hope to provide you with the best service and solution. Let us make a better world for our industry!



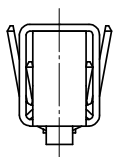
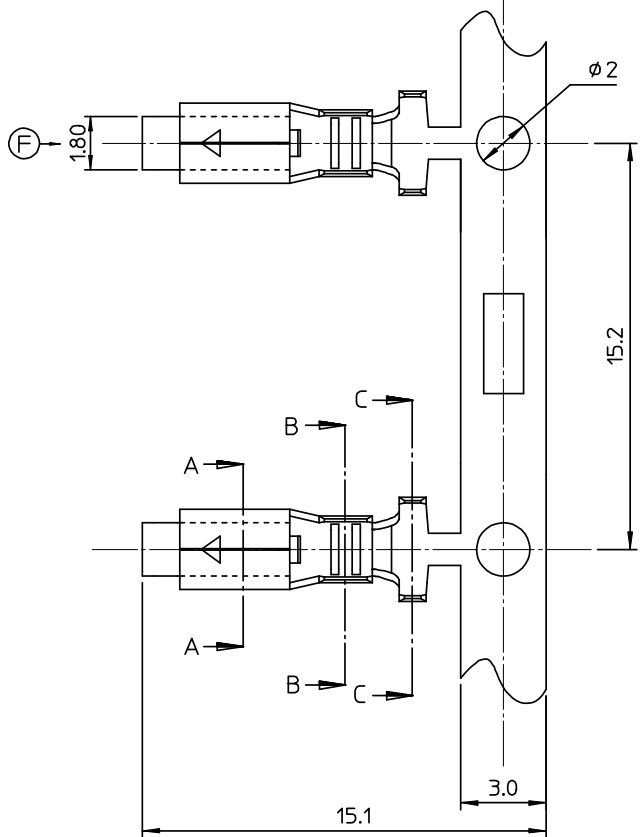
## Contact us

Tel: +86-755-8981 8866 Fax: +86-755-8427 6832

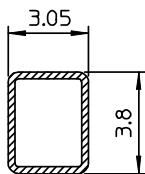
Email & Skype: info@chipsmall.com Web: www.chipsmall.com

Address: A1208, Overseas Decoration Building, #122 Zhenhua RD., Futian, Shenzhen, China

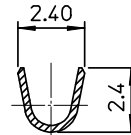




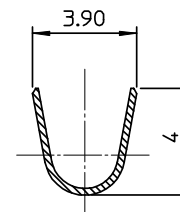
VIEW F



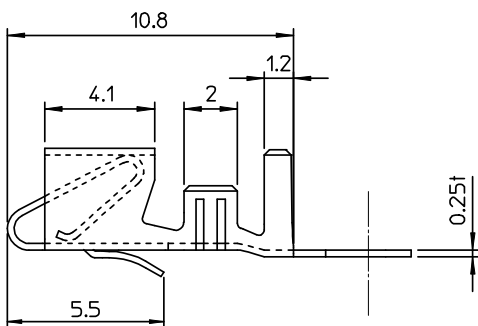
SECTION A-A



SECTION B-B



SECTION C-C



NOTES

1. MATERIAL : BRASS or PHOSPHOR BRONZE
2. FINISHES : PRE-TIN PLATED
3. PRODUCT SPECIFICATION : PS-35978-001
4. APPLIED HOUSING : 35977-\*\*0\*

TABLE

359228011	35922-8011	PHOSPHOR BRONZE
359229002	35922-9002	BRASS
MAT'L NO.	ENG NO.	MATERIAL

REVISED EC NO: KOR2008-0186 DRWN:SKHAN01 2008/05/26 CHKD:WY YANG 2008/05/26 APPR: YUNSIKKIM 2008/05/26	DESCRIPTION REV	QUALITY SYMBOLS	GENERAL TOLERANCES (UNLESS SPECIFIED)		DIMENSION STYLE MM ONLY		SCALE 5:1	DESIGN UNITS METRIC	THIRD ANGLE PROJECTION		
		$\nabla = 0$ $\nabla C = 0$	mm	INCH	DRAWN BY YURIWI	DATE 1999/05/09	TITLE 3.96 PITCH W-T-B CONN. TERMINAL				
					CHECKED BY J. K. OH	DATE 1999/05/09					
			4 PLACES ± --- ± ---		APPROVED BY CWLEE	DATE 1999/05/09	MOLEX INCORPORATED DOCUMENT NO. SD-35922-500 SHEET NO. 1 OF 1				
			3 PLACES ± --- ± ---		MATERIAL NO.						
	2 PLACES ± --- ± ---		DRAFT WHERE APPLICABLE MUST REMAIN WITHIN DIMENSIONS		SEE TABLE						
	1 PLACE ± 0.2 ± ---				SIZE A3						
	ANGULAR ± 2 °										