



Chipsmall Limited consists of a professional team with an average of over 10 year of expertise in the distribution of electronic components. Based in Hongkong, we have already established firm and mutual-benefit business relationships with customers from,Europe,America and south Asia,supplying obsolete and hard-to-find components to meet their specific needs.

With the principle of “Quality Parts,Customers Priority,Honest Operation,and Considerate Service”,our business mainly focus on the distribution of electronic components. Line cards we deal with include Microchip,ALPS,ROHM,Xilinx,Pulse,ON,Everlight and Freescale. Main products comprise IC,Modules,Potentiometer,IC Socket,Relay,Connector.Our parts cover such applications as commercial,industrial, and automotives areas.

We are looking forward to setting up business relationship with you and hope to provide you with the best service and solution. Let us make a better world for our industry!



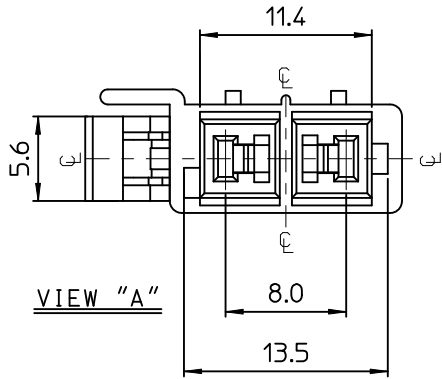
Contact us

Tel: +86-755-8981 8866 Fax: +86-755-8427 6832

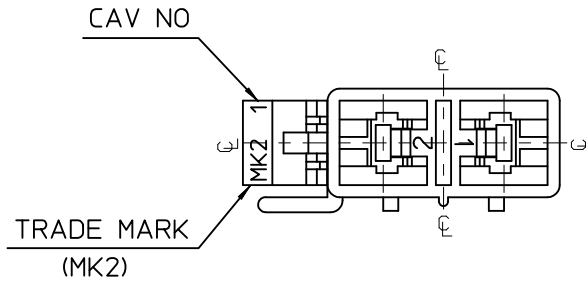
Email & Skype: info@chipsmall.com Web: www.chipsmall.com

Address: A1208, Overseas Decoration Building, #122 Zhenhua RD., Futian, Shenzhen, China



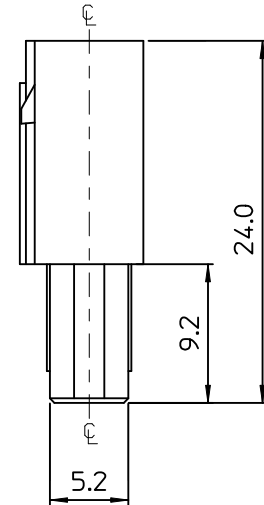
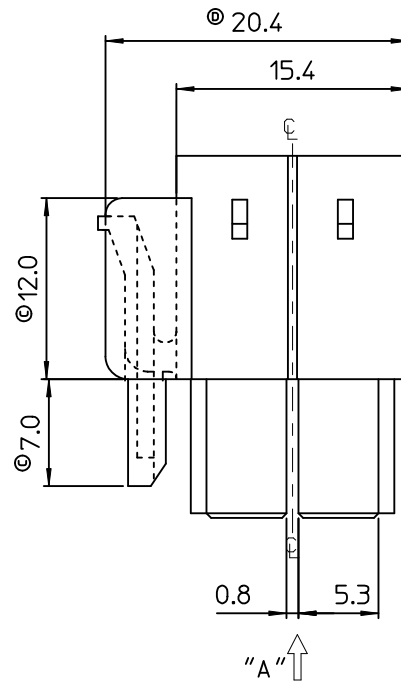
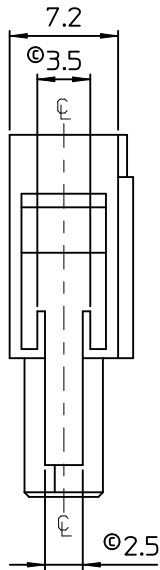


VIEW "A"



NOTES.

1. MATERIAL & COLOR : SEE TABLE
2. MATED HOUSING : 35180-040*
35180-060*
3. APPLICABLE TERMINAL : 35746-0*10
4. APPLICABLE T.P.A : 35965-029*
5. PRODUCT SPECIFICATION : PS-35180-002



NO.	POLYESTER(PBT)		PC/PET(UL94V-0)	
	MATERIAL	COLOR	MATERIAL	COLOR
1	35965-0200	NATURAL	35965-9200	NATURAL
2	35965-0202	RED	35965-9202	RED
3	35965-0203	BLUE	35965-9203	YELLOW
4	35965-0204	BLUE	35965-9204	BLUE

REVISED	EC NO: KOR2010-0186	2010/05/17
	DRWN: JHPARK01	2010/05/17
	CHKD: SHCHU	2010/05/17
	APPR: YOUNG IKKIM	2010/05/18
REV	DESCRIPTION	

QUALITY SYMBOLS		
▽=0		
▽=0		
GENERAL TOLERANCES (UNLESS SPECIFIED)		
	mm	INCH
4 PLACES	± ---	± ---
3 PLACES	± ---	± ---
2 PLACES	± ---	± ---
1 PLACE	± 0.3	± ---
ANGULAR ± 1 °		
DRAFT WHERE APPLICABLE MUST REMAIN WITHIN DIMENSIONS		

DIMENSION STYLE	
MM ONLY	
DRAWN BY	DATE
JS. KANG	1995/09/28
CHECKED BY	DATE
BK. CHOI	1995/09/28
APPROVED BY	DATE
CW. LEE	1995/09/28
MATERIAL NO.	
SEE TABLE	
SIZE	
A3	

SCALE	DESIGN UNITS	THIRD ANGLE PROJECTION
3:1	METRIC	
TITLE		
070 MULTI FEMALE HSG 2P(A)		
MOLEX INCORPORATED		
MATERIAL NO.	DOCUMENT NO.	SHEET NO.
SEE TABLE	SD-35965-020*	1 OF 01
THIS DRAWING CONTAINS INFORMATION THAT IS PROPRIETARY TO MOLEX INCORPORATED AND SHOULD NOT BE USED WITHOUT WRITTEN PERMISSION		