



Chipsmall Limited consists of a professional team with an average of over 10 year of expertise in the distribution of electronic components. Based in Hongkong, we have already established firm and mutual-benefit business relationships with customers from,Europe,America and south Asia,supplying obsolete and hard-to-find components to meet their specific needs.

With the principle of “Quality Parts,Customers Priority,Honest Operation,and Considerate Service”,our business mainly focus on the distribution of electronic components. Line cards we deal with include Microchip,ALPS,ROHM,Xilinx,Pulse,ON,Everlight and Freescale. Main products comprise IC,Modules,Potentiometer,IC Socket,Relay,Connector.Our parts cover such applications as commercial,industrial, and automotives areas.

We are looking forward to setting up business relationship with you and hope to provide you with the best service and solution. Let us make a better world for our industry!



Contact us

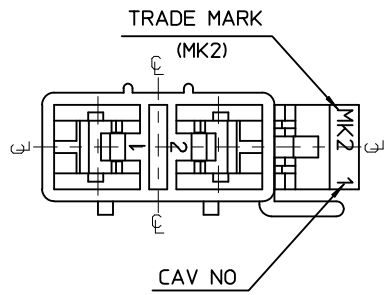
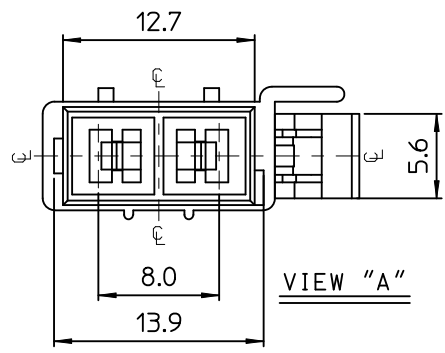
Tel: +86-755-8981 8866 Fax: +86-755-8427 6832

Email & Skype: info@chipsmall.com Web: www.chipsmall.com

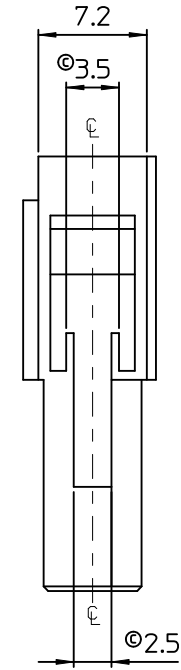
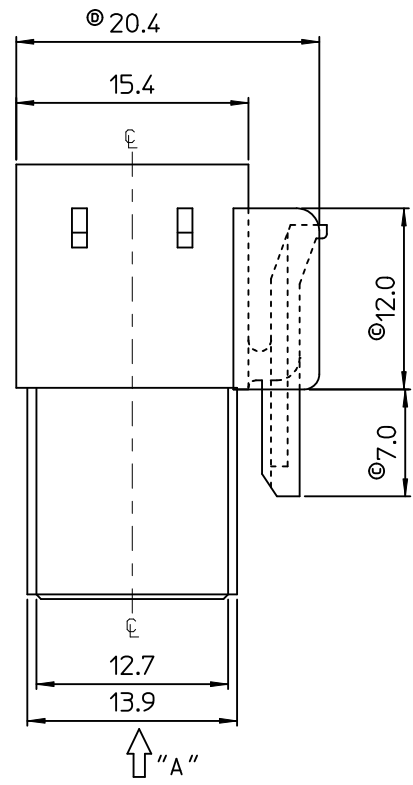
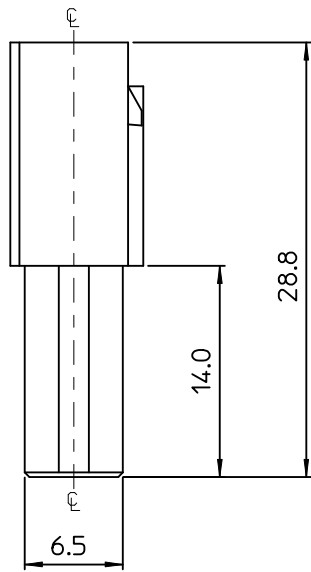
Address: A1208, Overseas Decoration Building, #122 Zhenhua RD., Futian, Shenzhen, China



10 9 8 7 6 5 4 3 2 1



- NOTES.
1. MATERIAL & COLOR : SEE TABLE
 2. MATED HOUSING : 35180-040*
35180-060*
 3. APPLICABLE TERMINAL : 35745-0*10
 4. APPLICABLE T.P.A : 35965-029*
 5. PRODUCT SPECIFICATION : PS-35180-002



No.	PBT(UL94V-0)		PC/PET(UL94V-0)	
	MATERIAL	COLOR	MATERIAL	COLOR
1	35965-0210	NATURAL	35965-9210	NATURAL
2	35965-0212	RED	35965-9212	RED
3	35965-0213	YELLOW	35965-9213	YELLOW
4	35965-0214	BLUE	35965-9214	BLUE

REVISED
 EC NO: KOR2010-0186
 DRWN: JHPARK01 2010/05/17
 CHKD: SHCHU 2010/05/17
 APPR: YUNS IKKIM 2010/05/18

QUALITY SYMBOLS
 ▼=0
 ▽=0

GENERAL TOLERANCES (UNLESS SPECIFIED)

	mm	INCH
4 PLACES	± ---	± ---
3 PLACES	± ---	± ---
2 PLACES	± ---	± ---
1 PLACE	± 0.3	± ---

ANGULAR ± 1°

DRAFT WHERE APPLICABLE MUST REMAIN WITHIN DIMENSIONS

DIMENSION STYLE
MM ONLY

DRAWN BY JS.KANG DATE 1995/09/28
 CHECKED BY BK.CHOI DATE 1995/09/28
 APPROVED BY CW.LEE DATE 1995/09/28

MATERIAL NO. SEE TABLE

SCALE 3:1
 DESIGN UNITS METRIC
 THIRD ANGLE PROJECTION

TITLE
070 MULTI FEMALE HSG 2P(B)

molex MOLEX INCORPORATED
 DOCUMENT NO. SD-35965-021*
 SHEET NO. 1 OF 01

THIS DRAWING CONTAINS INFORMATION THAT IS PROPRIETARY TO MOLEX INCORPORATED AND SHOULD NOT BE USED WITHOUT WRITTEN PERMISSION

9 8 7 6 5 4 3 2 1