



Chipsmall Limited consists of a professional team with an average of over 10 year of expertise in the distribution of electronic components. Based in Hongkong, we have already established firm and mutual-benefit business relationships with customers from,Europe,America and south Asia,supplying obsolete and hard-to-find components to meet their specific needs.

With the principle of "Quality Parts,Customers Priority,Honest Operation,and Considerate Service",our business mainly focus on the distribution of electronic components. Line cards we deal with include Microchip,ALPS,ROHM,Xilinx,Pulse,ON,Everlight and Freescale. Main products comprise IC,Modules,Potentiometer,IC Socket,Relay,Connector.Our parts cover such applications as commercial,industrial, and automotives areas.

We are looking forward to setting up business relationship with you and hope to provide you with the best service and solution. Let us make a better world for our industry!



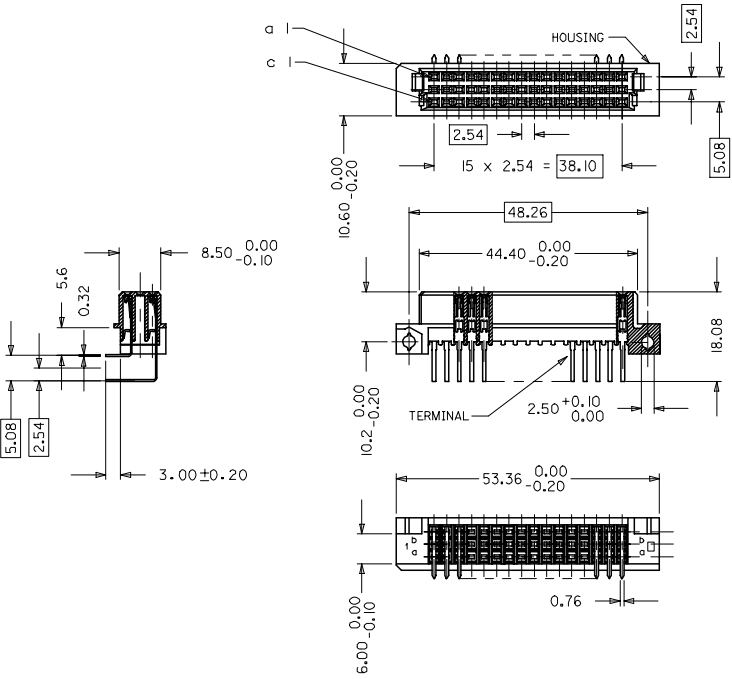
## Contact us

Tel: +86-755-8981 8866 Fax: +86-755-8427 6832

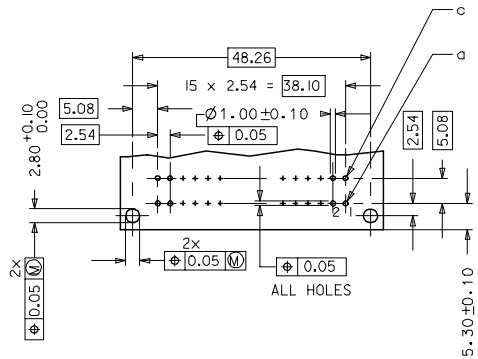
Email & Skype: info@chipsmall.com Web: www.chipsmall.com

Address: A1208, Overseas Decoration Building, #122 Zhenhua RD., Futian, Shenzhen, China

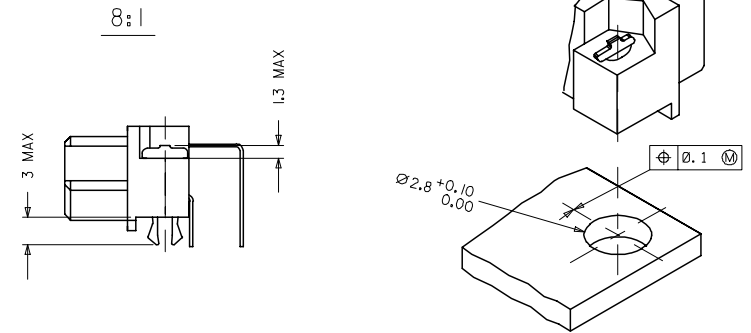




RECOMMENDED PCB LAYOUT  
COMPONENT SIDE



WITH MOUNTING CLIPS



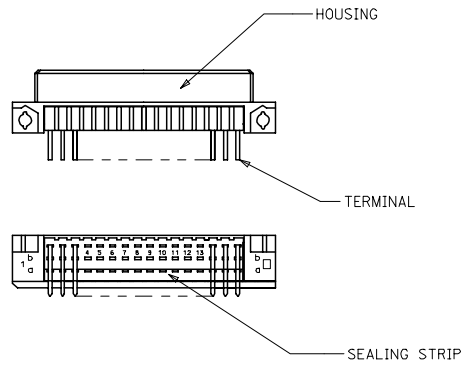
- NOTES:
- MATERIALS: THERMOPLASTIC POLYESTER, GLASS FILLED, UL94V-0. COLOUR: PEBBLE GREY RAL 7032  
TERMINAL - PHOSPHOR BRONZE  
MOUNTING CLIP: STEEL
  - FINISH: TERMINAL:-  
CONTACT AREA  
1. PERFORMANCE LEVEL 1: SELECTIVE GOLD (Au), THICKNESS = 1.1 MICROMETER OVER NICKEL, THICKNESS = 1.25 MICROMETER  
2. PERFORMANCE LEVEL 2: SELECTIVE GOLD (Au), THICKNESS = 0.6 MICROMETER OVER NICKEL, THICKNESS = 1.25 MICROMETER  
3. PERFORMANCE LEVEL 3: SELECTIVE GOLD (Au), THICKNESS = 0.3 MICROMETER OVER NICKEL, THICKNESS = 1.25 MICROMETER  
TERMINATION AREA:  
SELECTIVE TIN, THICKNESS = 2.5 MICROMETER OVER NICKEL, THICKNESS = 1.25 MICROMETER OVERALL
  - MOUNTING CLIP:-  
TIN (Sn), THICKNESS = 5-10 MICROMETER, OVER NICKEL (Ni), THICKNESS = 2.5 MICROMETER
  - FOR NON MOUNTING CLIP OPTION, CONNECTOR TO BE SECURED WITH RIVETS: 2 TUBULAR RIVETS 2.5 x 0.3 ... DIN 7340  
SCREWS: 2 CHEESEHEAD SCREWS M2.5 x ... DIN 84 AND 2 HEXAGONAL NUTS M2.5 DIN 934
  - MATERIAL NUMBER, BATCH CODE, UL AND CSA MARKING TO BE PRINTED ON THE CONNECTOR
  - CUT FACE OF TIP WITHOUT PLATING PERMITTED
  - PRODUCT SPECIFICATION : PS-36509-001

RoHS COMPLIANT

EC No: P007-0044 DRINGSATTI/MARAD 2006/10/10 CHIKKOSUDHAR 2006/10/11 APPR/SUDHAR 2006/10/15	QUALITY SYMBOLS ▽=0 ▽=0	GENERAL TOLERANCES (UNLESS SPECIFIED)		DIMENSION STYLE MM ONLY	SCALE 2:1	DESIGN UNITS METRIC	THIRD ANGLE PROJECTION
		4 PLACES ± --- ± --- 3 PLACES ± 0.05 ± --- 2 PLACES ± 0.1 ± --- 1 PLACE ± 0.15 ± ---	INCH ± --- ± --- ± ---	DRAWN BY SS DATE 1999/09/24	CHECKED BY G.J.LOWE DATE 1999/09/24	APPROVED BY G.J.LOWE DATE 1999/09/24	MATERIAL NO. SEE CHART
DRAFT WHERE APPLICABLE MUST REMAIN WITHIN DIMENSIONS		THIS DRAWING CONTAINS INFORMATION THAT IS PROPRIETARY TO MOLEX INCORPORATED AND SHOULD NOT BE USED WITHOUT WRITTEN PERMISSION					

	20	19	18	17	16	15	14	13	12	11	10	9	8	7	6	5	4	3	2	1
	MATERIAL No	MOLEX ENG No	PERF LEVEL	PLATING	CONTACT SEQUENCE/ROW	MOUNTING CLIP	SEALING STRIP													
M	36510-0025	MM-B2400-R483	1	Au+Ni	1,2,3....16 a+c	NO	NO													
	36510-0026	MM-B2500-R483	2	Au+Ni	1,2,3....16 a+c	NO	NO													
	36510-0027	MM-B2600-R483	3	Au+Ni	1,2,3....16 a+c	NO	NO													
L																				
	36510-0031	MM-B2400-R413	1	Au+Ni	1,2,3....16 a+c	YES	NO													
	36510-0032	MM-B2500-R413	2	Au+Ni	1,2,3....16 a+c	YES	NO													
K	36510-0033	MM-B2600-R413	3	Au+Ni	1,2,3....16 a+c	YES	NO													
	36510-0037	MM-B2400-R483-101	1	Au+Ni	1,2,3....16 a+c	NO	YES													
J	36510-0038	MM-B2500-R483-101	2	Au+Ni	1,2,3....16 a+c	NO	YES													
	36510-0039	MM-B2600-R483-101	3	Au+Ni	1,2,3....16 a+c	NO	YES													
I	36510-0043	MM-B2400-R413-101	1	Au+Ni	1,2,3....16 a+c	YES	YES													
	36510-0044	MM-B2500-R413-101	2	Au+Ni	1,2,3....16 a+c	YES	YES													
	36510-0045	MM-B2600-R413-101	3	Au+Ni	1,2,3....16 a+c	YES	YES													
H																				
B																				
F																				
E																				
D																				
C																				
B																				
A																				

CONNECTOR WITH SEALING STRIP



RoHS COMPLIANT

EC No: 2007-0044 DRAWING: DRWINGATTI/MARAD 2006/10/10 CHKD: CHKD/SUDHIR 2006/10/11 APPR: APPR/SUDHIR 2006/10/15	QUALITY SYMBOLS 	GENERAL TOLERANCES (UNLESS SPECIFIED) <table border="1"> <thead> <tr> <th></th> <th>mm</th> <th>INCH</th> </tr> </thead> <tbody> <tr> <td>4 PLACES</td> <td>± 0.15</td> <td>± 0.005</td> </tr> <tr> <td>3 PLACES</td> <td>± 0.05</td> <td>± 0.002</td> </tr> <tr> <td>2 PLACES</td> <td>± 0.1</td> <td>± 0.004</td> </tr> <tr> <td>1 PLACE</td> <td>± 0.15</td> <td>± 0.006</td> </tr> </tbody> </table>		mm	INCH	4 PLACES	± 0.15	± 0.005	3 PLACES	± 0.05	± 0.002	2 PLACES	± 0.1	± 0.004	1 PLACE	± 0.15	± 0.006	DIMENSION STYLE MM ONLY	SCALE 2:1	DESIGN UNITS METRIC	THIRD ANGLE PROJECTION 
		mm	INCH																		
4 PLACES	± 0.15	± 0.005																			
3 PLACES	± 0.05	± 0.002																			
2 PLACES	± 0.1	± 0.004																			
1 PLACE	± 0.15	± 0.006																			
D1	DRAFT WHERE APPLICABLE MUST REMAIN WITHIN DIMENSIONS	DIMENSION STYLE MM ONLY	DRAWN BY: SS DATE: 1999/09/24 CHECKED BY: G.J.LOWE DATE: 1999/09/24 APPROVED BY: G.J.LOWE DATE: 1999/09/24	TITLE ASSEMBLY, DIN 41612 R/2 FEMALE, 32 POS A+C LOADED	MATERIAL NO. SEE CHART	DOCUMENT NO. SD-36510-002	SHEET NO. 2 OF 2														