



Chipsmall Limited consists of a professional team with an average of over 10 year of expertise in the distribution of electronic components. Based in Hongkong, we have already established firm and mutual-benefit business relationships with customers from,Europe,America and south Asia,supplying obsolete and hard-to-find components to meet their specific needs.

With the principle of “Quality Parts,Customers Priority,Honest Operation,and Considerate Service”,our business mainly focus on the distribution of electronic components. Line cards we deal with include Microchip,ALPS,ROHM,Xilinx,Pulse,ON,Everlight and Freescale. Main products comprise IC,Modules,Potentiometer,IC Socket,Relay,Connector.Our parts cover such applications as commercial,industrial, and automotives areas.

We are looking forward to setting up business relationship with you and hope to provide you with the best service and solution. Let us make a better world for our industry!



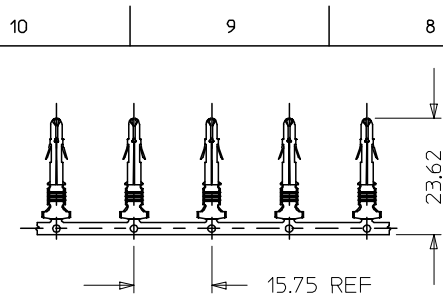
## Contact us

Tel: +86-755-8981 8866 Fax: +86-755-8427 6832

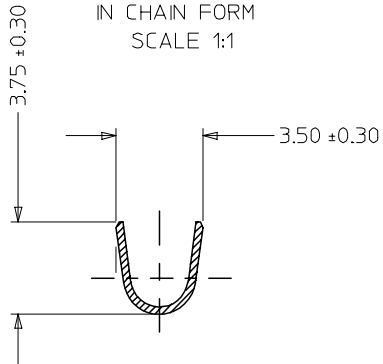
Email & Skype: info@chipsmall.com Web: www.chipsmall.com

Address: A1208, Overseas Decoration Building, #122 Zhenhua RD., Futian, Shenzhen, China

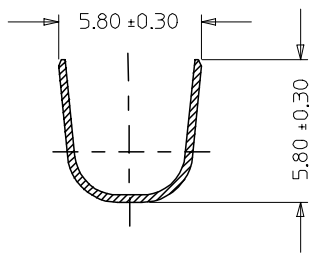




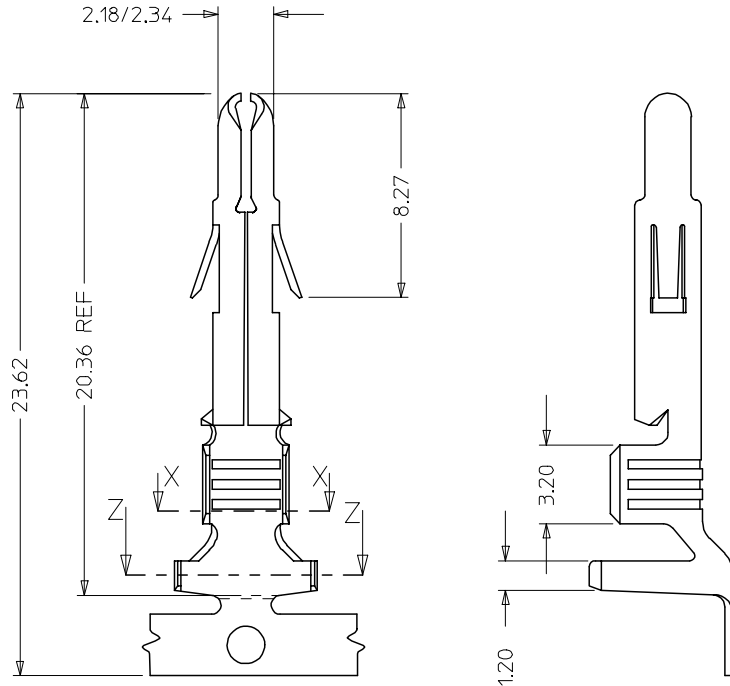
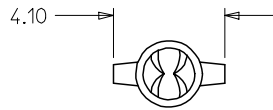
TERMINALS  
IN CHAIN FORM  
SCALE 1:1



SECTION Y-Y 5:1  
WIRE CRIMP AREA



SECTION Z-Z 5:1  
INSULATION CRIMP AREA



MATERIAL NO.	FINISH	WIRE SIZE	INSULATION DIA	PACKAGING METHOD
36536-0001	SEE NOTE 2	#16-13 AWG	5.10 MAX	CHAIN
36536-0002	SEE NOTE 2	#16-13 AWG	5.10 MAX	LOOSE

NOTES:

- 1) MATERIAL: BRASS
- 2) FINISH: HOT TIN DIP, THICKNESS=0.51 MICROMETER
- 3) PIN TERMINALS FOR USE WITH THE 0.084/(2.13) SERIES HOUSINGS  
PLUG (42021-\*\*) CAP (42022-\*\*)
- 4) CRIMP RANGE SEE CHART
- 5) PRODUCT SPECIFICATION PS-42022-0001 APPLIES

<b>ENTER DESCRIPTION</b> EC NO: 12005-0019 DRAWN: SSUDHIR 2004/07/07 CHKD: DGDATHA 2004/07/07 APPR: DGDATHA 2004/07/08	<b>QUALITY SYMBOLS</b> 	<b>GENERAL TOLERANCES (UNLESS SPECIFIED)</b>		SCALE <b>5:1</b>	DESIGN UNITS <b>METRIC</b>	<b>THIRD ANGLE PROJECTION</b>	<b>REVISE ON CAD ONLY</b>		
				DIMENSION STYLE <b>MM ONLY</b>		<b>TITLE</b> TERMINAL SPLIT PIN MLX #13-16 AWG 5.08 INS DIA			
		4 PLACES ± --- ± --- 3 PLACES ± --- ± --- 2 PLACES ± 0.25 ± --- 1 PLACE ± 0.38 ± ---		DRAWN BY SSUDHIR		DATE 2004/05/24		<b>MOLEX INCORPORATED</b>	
		ANGULAR ± 2 °		CHECKED BY DGDATHA		DATE 2004/05/24		MATERIAL NO. SEE CHART	
DRAFT WHERE APPLICABLE MUST REMAIN WITHIN DIMENSIONS		APPROVED BY DGDATHA		DATE 2004/05/24		DOCUMENT NO. SD-36536-001			
B1		REV		SHEET NO. 1 OF 1		THIS DRAWING CONTAINS INFORMATION THAT IS PROPRIETARY TO MOLEX INCORPORATED AND SHOULD NOT BE USED WITHOUT WRITTEN PERMISSION			