



Chipsmall Limited consists of a professional team with an average of over 10 year of expertise in the distribution of electronic components. Based in Hongkong, we have already established firm and mutual-benefit business relationships with customers from,Europe,America and south Asia,supplying obsolete and hard-to-find components to meet their specific needs.

With the principle of “Quality Parts,Customers Priority,Honest Operation,and Considerate Service”,our business mainly focus on the distribution of electronic components. Line cards we deal with include Microchip,ALPS,ROHM,Xilinx,Pulse,ON,Everlight and Freescale. Main products comprise IC,Modules,Potentiometer,IC Socket,Relay,Connector.Our parts cover such applications as commercial,industrial, and automotives areas.

We are looking forward to setting up business relationship with you and hope to provide you with the best service and solution. Let us make a better world for our industry!



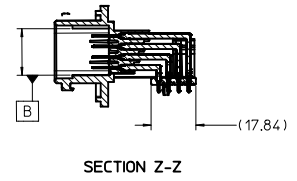
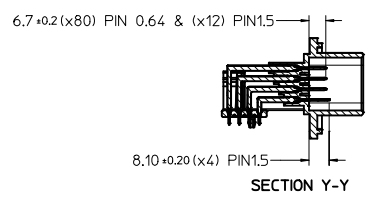
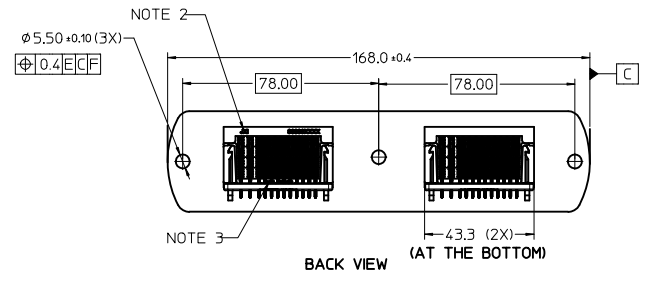
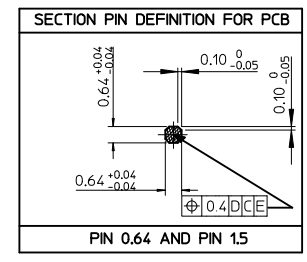
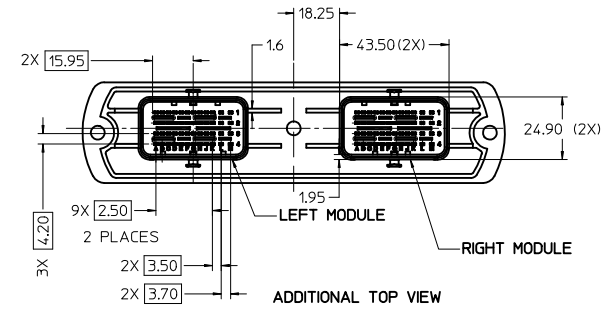
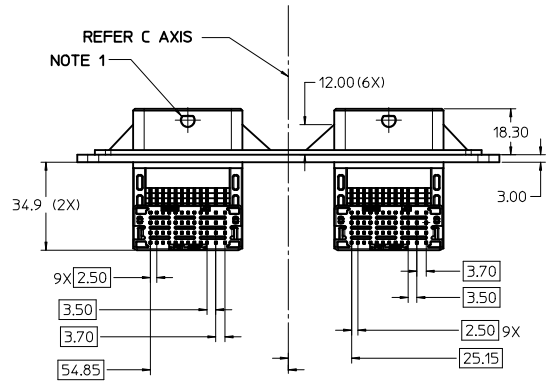
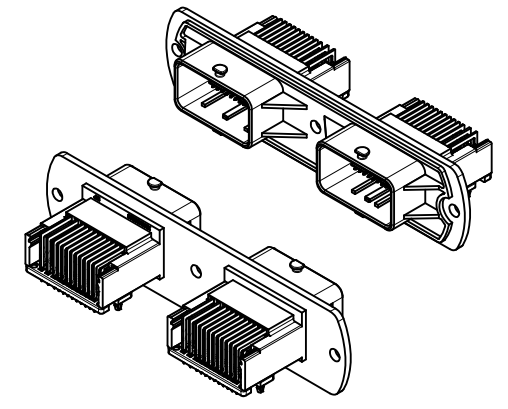
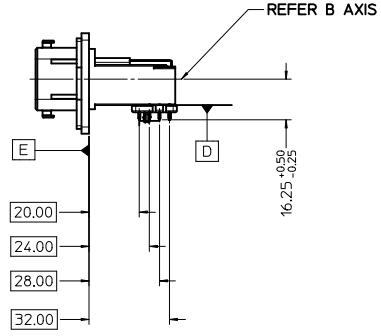
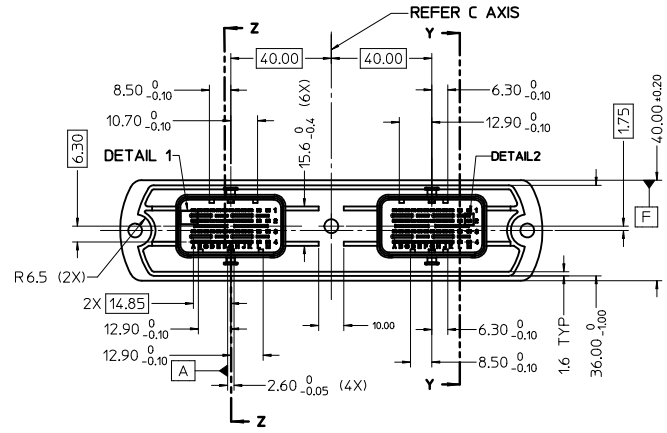
Contact us

Tel: +86-755-8981 8866 Fax: +86-755-8427 6832

Email & Skype: info@chipsmall.com Web: www.chipsmall.com

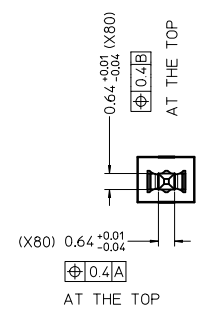
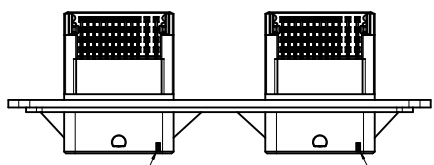
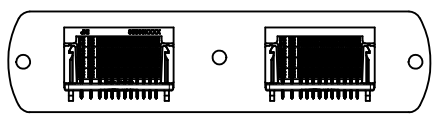
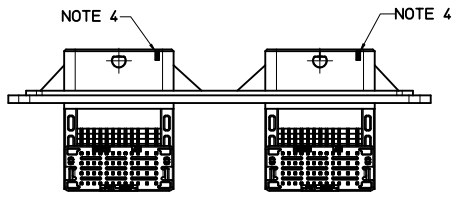
Address: A1208, Overseas Decoration Building, #122 Zhenhua RD., Futian, Shenzhen, China



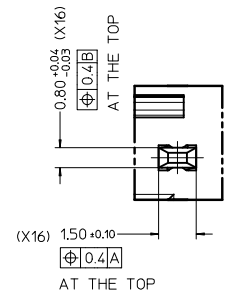


RoHS COMPLIANT

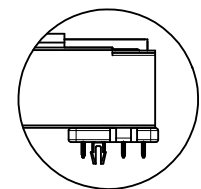
ENTER DESCRIPTION IEC NO: 2012-0253 DRAWN: VITTHAR 2012/02/14 CHKD: APPR: KPRASAD REV:	QUALITY SYMBOLS ▽=0 ▽=0	GENERAL TOLERANCES (UNLESS SPECIFIED)	DIMENSION STYLE MM ONLY	SCALE 1:1	DESIGN UNITS METRIC	THIRD ANGLE PROJECTION	
	4 PLACES ± --- ± --- 3 PLACES ± --- ± --- 2 PLACES ± 0.1 ± --- 1 PLACE ± 0.2 ± --- ANGULAR ± 1°	mm INCH	DRAWN BY: DKUMAR CHECKED BY: KPRASAD APPROVED BY: GJLOWE DATE: 20/12/2005	DATE: 20/12/2005 DATE: 20/12/2005 DATE: 20/12/2005	TITLE: CMC HEADER T3 INTERFACE - BK & BR 96/72 AND 96/96	MATERIAL NO. DOCUMENT NO.	SHEET NO. 1 OF 3
	DRAFT WHERE APPLICABLE MUST REMAIN WITHIN DIMENSIONS	SEE TABLE	MOLEX INCORPORATED	SD-36638-001			
	THIS DRAWING CONTAINS INFORMATION THAT IS PROPRIETARY TO MOLEX INCORPORATED AND SHOULD NOT BE USED WITHOUT WRITTEN PERMISSION						



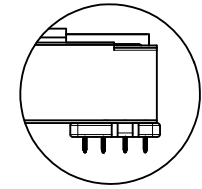
DETAIL 1
SCALE 10:1



DETAIL 2
SCALE 10:1



96/96 OR 96/72 CMC HEADER
WITH PCB SNAP LOCKING



96/96 OR 96/72 CMC HEADER
WITHOUT PCB SNAP LOCKING

36638-0012	CMC HEADER, T3-BR & BN, WITH PCB SNAP LOCK, 96/96	BROWN	BLACK	L1 & M1 L2 & M2 L3 & M3 L4 & M4	A1 TO H1, J1 & K1 A2 TO H2, J2 & K2 A3 TO H3, J3 & K3 A4 TO H4, J4 & K4	D
36638-0011	CMC HEADER, T3-BR & BN, W/O PCB SNAP LOCK, 96/96			C		
36638-0010	CMC HEADER, T3-BR & BN, WITH PCB SNAP LOCK, 96/72	BROWN	BLACK	L2 & M2 L3 & M3 L4 & M4	A2 TO H2, J2 & K2 A3 TO H3, J3 & K3 A4 TO H4, J4 & K4	B
36638-0001	CMC HEADER, T3-BR & BN, W/O PCB SNAP LOCK, 96/72			A		
36638-0014	CMC HEADER, T3-BR & BN, W/O PCB SNAP LOCK, 96/72			A		
MOLEX PART NO.	PART DISCRPTION	LEFT MODULE	RIGHT MODULE	1.5 PIN	0.64 PIN	PCB LAYOUT TO BE REFERRED
		COLOUR CODE		CAVITIES TO BE USED		

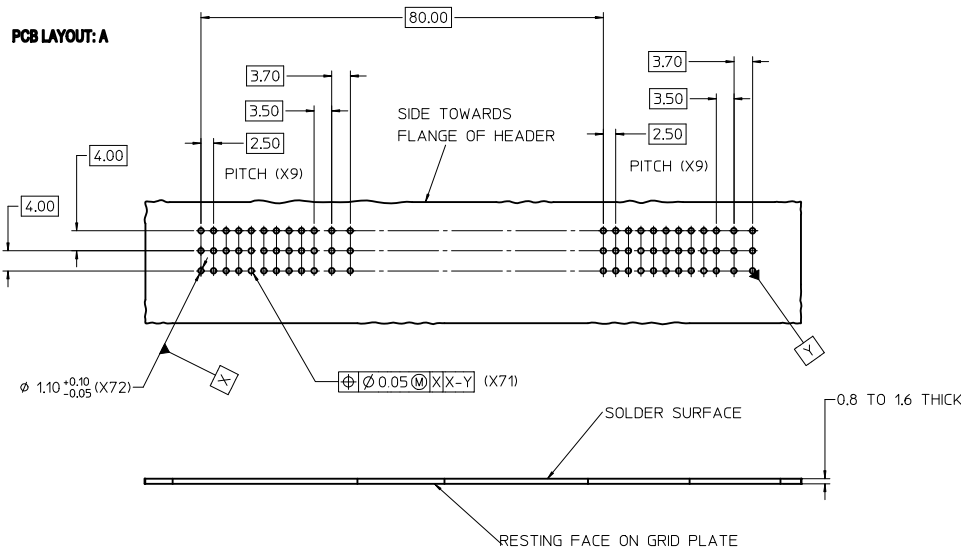
5	GRID PLATE WITH PCB LOCK	PBT 30% GLASS FILLED	BLACK	0	2	0	2	0
4	GRID PLATE W/O PCB LOCK		BLACK	2	0	2	0	2
3	HOUSING		BLACK	1	1	1	1	1
2	PIN 1.50	CuZn30	NICKEL UNDERCOAT: 1.3µM TO 2.2µM	12	12	16	16	12
1	PIN 0.64	CuZn30	MATTE TIN OVERCOAT: 4µM TO 5µM	60	60	80	80	60
SL.NO	DESIGNATION	MATERIAL	FINISH	BOM QUANTITY				
				36638-0001	36638-0010	36638-0011	36638-0012	36638-0014

- NOTE:
1. PAINT BROWN PAINT(RoHS COMPLIANT) AT THE SPECIFIED AREA OF LEFT MODULE ON BOTH SIDES
 2. AREA FOR JXI AND MOLEX PART NUMBER REPRESENTATION.
 3. AREA FOR PLASTIC MATERIAL >PBT-30%GF< DESCRIPTION.
 4. PAINT WITH WHITE COLOR (RoHS COMPLIANT) AT SPECIFIED FOUR AREAS
 5. PART TO MEET SOLDERABILITY SPEC SMES-152
 6. PACKAGING SPECIFICATION: PK-36638-001
 7. FOR PART # 36638-0001 REFER PACKAGING SPEC:PK-36638-004

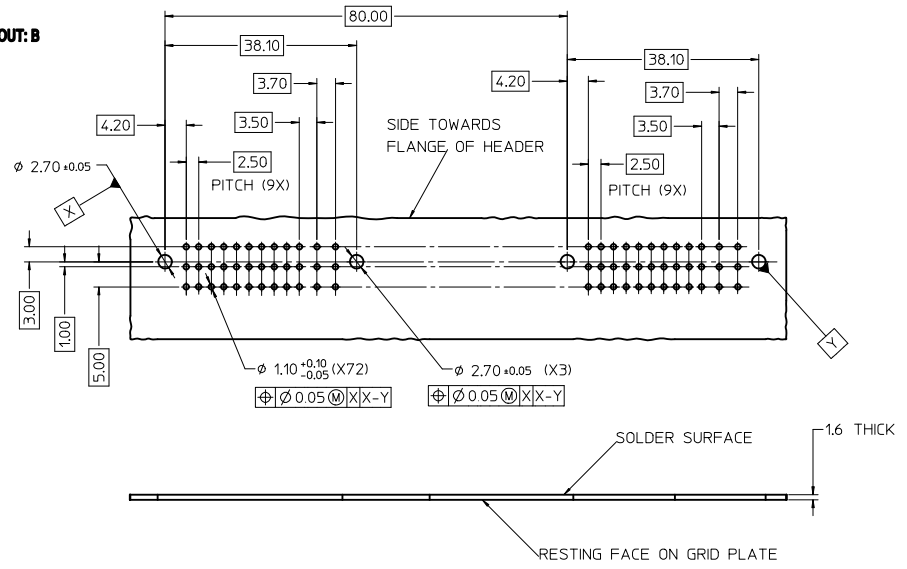
RoHS COMPLIANT

ENTER DESCRIPTION IEC NO: 2012-0253 DRAWN: VITARRAR 2012/02/14 CHKD: APPR: KPRASAD 2012/02/15	QUALITY SYMBOLS	GENERAL TOLERANCES (UNLESS SPECIFIED)	DIMENSION STYLE	SCALE	DESIGN UNITS	THIRD ANGLE PROJECTION
	▽=0	m m INCH	MM ONLY	1:1	METRIC	
	▽=0	4 PLACES ± --- ± ---	DRAWN BY DATE	TITLE		
		3 PLACES ± --- ± ---	DKUMAR 20/12/2005	CMC HEADER T3 INTERFACE - BK & BR 96/72 AND 96/96		
	2 PLACES ± 0.1 ± ---	CHECKED BY DATE	MOLEX INCORPORATED			
	1 PLACE ± 0.2 ± ---	KPRASAD 20/12/2005	MATERIAL NO. SD-36638-001			
	ANGULAR ± 1 °	APPROVED BY DATE	DOCUMENT NO.			
		GJLOWE 20/12/2005	SHEET NO. 2 OF 3			
	DRAFT WHERE APPLICABLE MUST REMAIN WITHIN DIMENSIONS		THIS DRAWING CONTAINS INFORMATION THAT IS PROPRIETARY TO MOLEX INCORPORATED AND SHOULD NOT BE USED WITHOUT WRITTEN PERMISSION			

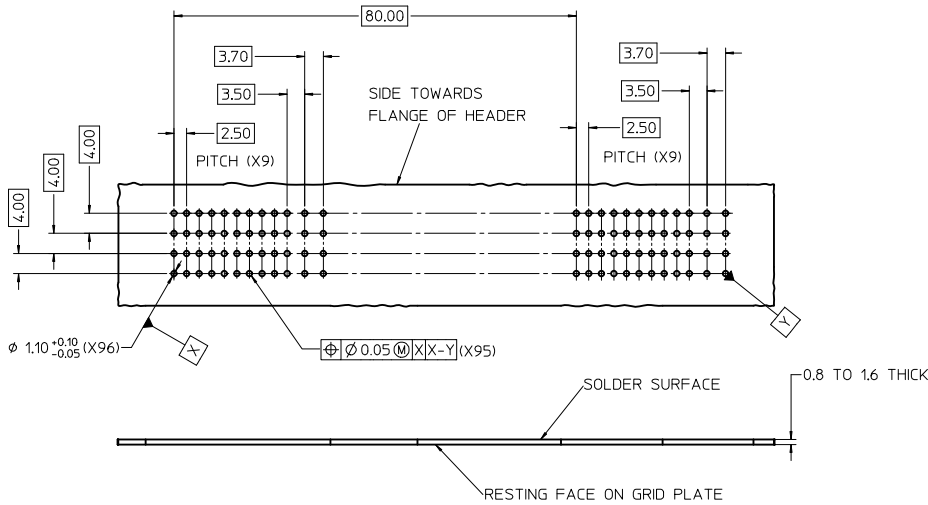
PCB LAYOUT: A



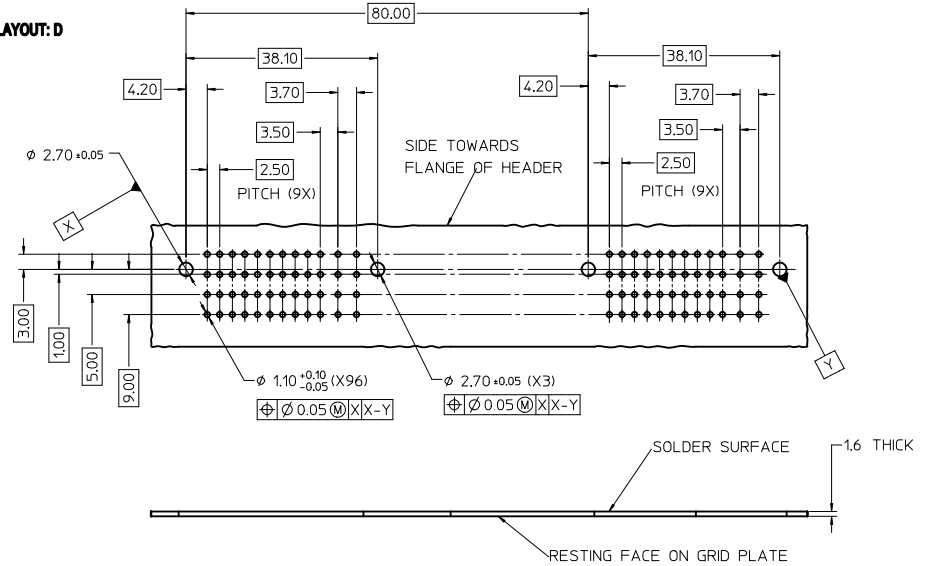
PCB LAYOUT: B



PCB LAYOUT: C



PCB LAYOUT: D



RoHS COMPLIANT

ENTER DESCRIPTION EC NO: 2012-0253 DRAWN BY: DR.MANVIKAR CHKD: KPRASAD APPR: KPRASAD 2012/02/15	QUALITY SYMBOLS ▽=0 ▽=0	GENERAL TOLERANCES (UNLESS SPECIFIED) mm INCH 4 PLACES ± --- ± --- 3 PLACES ± --- ± --- 2 PLACES ± 0.1 ± --- 1 PLACE ± 0.2 ± --- ANGULAR ± 1 °	DIMENSION STYLE MM ONLY	SCALE 2:1	DESIGN UNITS METRIC	THIRD ANGLE PROJECTION	
	DRAWN BY: DKUMAR DATE: 20/12/2005	CHECKED BY: KPRASAD DATE: 20/12/2005	APPROVED BY: GJLOWE DATE: 20/12/2005	MATERIAL NO. SEE TABLE	DOCUMENT NO. SD-36638-001	TITLE CMC HEADER T3 INTERFACE - BK & BR 96/72 AND 96/96	SHEET NO. 3 OF 3
	MOLEX INCORPORATED						
	THIS DRAWING CONTAINS INFORMATION THAT IS PROPRIETARY TO MOLEX INCORPORATED AND SHOULD NOT BE USED WITHOUT WRITTEN PERMISSION						