



Chipsmall Limited consists of a professional team with an average of over 10 year of expertise in the distribution of electronic components. Based in Hongkong, we have already established firm and mutual-benefit business relationships with customers from,Europe,America and south Asia,supplying obsolete and hard-to-find components to meet their specific needs.

With the principle of “Quality Parts,Customers Priority,Honest Operation,and Considerate Service”,our business mainly focus on the distribution of electronic components. Line cards we deal with include Microchip,ALPS,ROHM,Xilinx,Pulse,ON,Everlight and Freescale. Main products comprise IC,Modules,Potentiometer,IC Socket,Relay,Connector.Our parts cover such applications as commercial,industrial, and automotives areas.

We are looking forward to setting up business relationship with you and hope to provide you with the best service and solution. Let us make a better world for our industry!



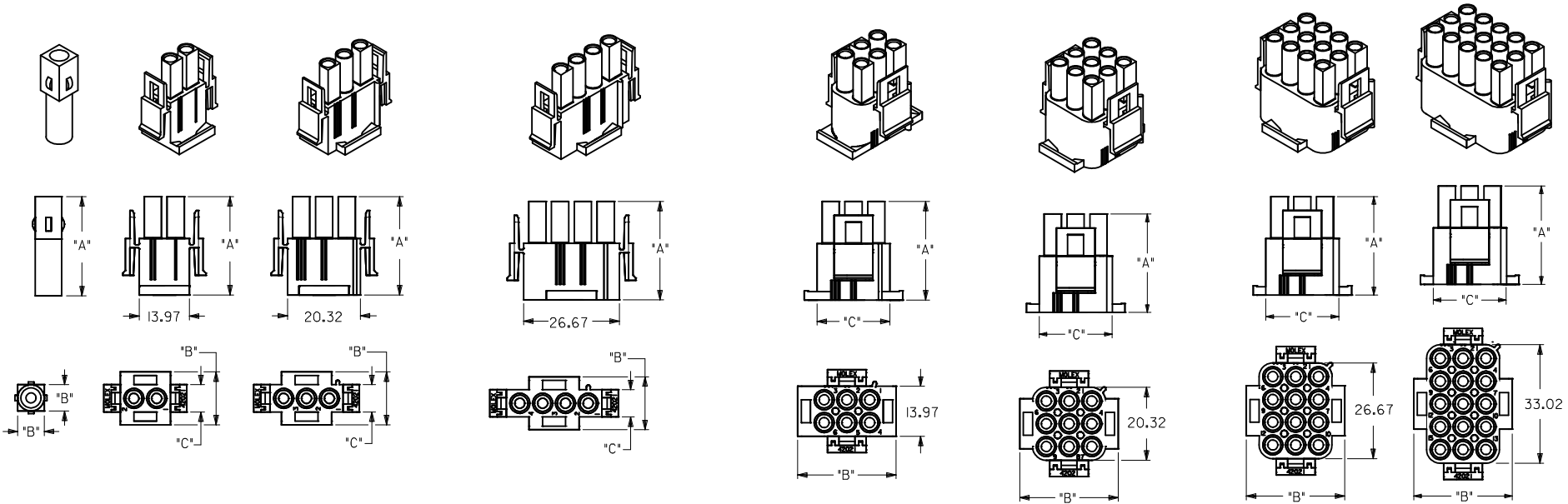
Contact us

Tel: +86-755-8981 8866 Fax: +86-755-8427 6832

Email & Skype: info@chipsmall.com Web: www.chipsmall.com

Address: A1208, Overseas Decoration Building, #122 Zhenhua RD., Futian, Shenzhen, China





ENTER DESCRIPTION EC NO: 12013-0100 DRWN:HRAMAKRISHNA.2013/01/07 CHKD: CHIKO APPR:KPRASAD 2013/03/11 REV: C6	QUALITY SYMBOLS ∇=0 ∇=0 ∇=0	GENERAL TOLERANCES (UNLESS SPECIFIED) <table border="1"> <thead> <tr> <th></th> <th>mm</th> <th>INCH</th> </tr> </thead> <tbody> <tr> <td>4 PLACES</td> <td>± ---</td> <td>± ---</td> </tr> <tr> <td>3 PLACES</td> <td>± ---</td> <td>± .010</td> </tr> <tr> <td>2 PLACES</td> <td>± 0.25</td> <td>± 0.14</td> </tr> <tr> <td>1 PLACE</td> <td>± 0.36</td> <td>± ---</td> </tr> <tr> <td>0 PLACE</td> <td>±</td> <td>±</td> </tr> </tbody> </table>		mm	INCH	4 PLACES	± ---	± ---	3 PLACES	± ---	± .010	2 PLACES	± 0.25	± 0.14	1 PLACE	± 0.36	± ---	0 PLACE	±	±	DIMENSION STYLE MM ONLY	SCALE 1:1	DESIGN UNITS METRIC	THIRD ANGLE PROJECTION
		mm	INCH																					
	4 PLACES	± ---	± ---																					
	3 PLACES	± ---	± .010																					
2 PLACES	± 0.25	± 0.14																						
1 PLACE	± 0.36	± ---																						
0 PLACE	±	±																						
		DRAWN BY: RK DATE: 87/11/16	TITLE HOUSING, PLUG 2.13 DIA. SERIES																					
		CHECKED BY: GWF DATE: 87/11/16																						
		APPROVED BY: GWF DATE: 87/11/16																						
		MATERIAL NO. SEE SHEET 2	DOCUMENT NO. SD-42021-**		SHEET NO. 1 OF 2																			
		DRAFT WHERE APPLICABLE MUST REMAIN WITHIN DIMENSIONS																						
		THIS DRAWING CONTAINS INFORMATION THAT IS PROPRIETARY TO MOLEX INCORPORATED AND SHOULD NOT BE USED WITHOUT WRITTEN PERMISSION																						

PART NO.	CIRCUIT SIZE	MATERIAL (SEE NOTE 1)	DIM "A"	DIM "B"	DIM "C"
050-84-1010	1	A	27.69	7.37	----
050-84-1015	1	C			
050-84-1020	2	A	27.61	14.73	7.62
050-84-1025	2	C			
050-84-1030	3	A	27.61	14.73	7.62
050-84-1035	3	C			
050-84-1040	4	A	27.61	14.73	7.62
050-84-1045	4	C			
050-84-1060	6	A	27.61	27.43	20.32
050-84-1065	6	C			
050-84-1090	9	A	27.61	27.43	20.32
050-84-1095	9	C			
050-84-1120	12	A	27.61	27.43	20.32
050-84-1125	12	C			
050-84-1150	15	A	27.61	27.43	20.32
050-84-1155	15	C			
366480001	1	D	27.43	7.37	----
366480002	2	D		14.73	7.62
366480003	3	D	27.43		
366480004	4	D			
366480005	6	D			
366480006	9	D			
366480007	12	D			
366480008	15	D			

NOTES:

- 1) MATERIAL CODES:
 A= NYLON TYPE 6/6, 94V-2
 COLOR: NATURAL (WHITE/TRANSLUCENT)
 C= NYLON TYPE 6/6, 94V-0
 COLOR: NATURAL (WHITE)
 D= NYLON, 94V-2
 COLOR: BLACK (ZYTEL 101F)
- 2) UNLESS OTHERWISE INDICATED, DIMENSIONS ARE FOR REFERENCE ONLY.
- 3) PLUG HOUSINGS MATE WITH :
 - CAP HOUSINGS, 2.13 DIA. SERIES: (42022-**)

- HEADER ASSEMBLY HOUSINGS,
 2.13 DIA. SERIES: (A-42002-****)
- 4) HOUSINGS DESIGNED TO BE USED WITH TERMINALS :
 - PINS, 2.13 DIA. SERIES: (42023-****)
 - SOCKETS, 2.13 DIA. SERIES: (42024-****)
- 5) CONTACTS ARE ON 6.35 GRID CENTERLINE SPACING.
- 6) PRODUCT SPECIFICATION PS-42022-0001 APPLIES.
- 7) FOR GLOW EIRE COMPATIBLE PART NUMBERS REFER DOCUMENT NO SD-36643-009.

ENTER DESCRIPTION EC NO: 12013-0100 DRWN: MR/MAKRI/SHNA 2013/01/07 CHKD: APPR: KRASAD 2013/03/11 REV: C6	QUALITY SYMBOLS	GENERAL TOLERANCES (UNLESS SPECIFIED)		DIMENSION STYLE MM ONLY		SCALE 1:1	DESIGN UNITS METRIC	THIRD ANGLE PROJECTION
	$\nabla=0$	4 PLACES	± ---	± ---	DRAWN BY	DATE	HOUSING, PLUG 2.13 DIA. SERIES molex MATERIAL NO. SD-42021-** DOCUMENT NO. SHEET NO. 2 OF 2	
	$\nabla=0$	3 PLACES	± ---	± .010	CHECKED BY	DATE		
	$\nabla=0$	2 PLACES	± 0.25	± 0.14	APPROVED BY	DATE		
	1 PLACE	± 0.36	± ---	GWF	87/11/16			
	0 PLACE	±	±	ANGULAR ± ---°				
DRAFT WHERE APPLICABLE MUST REMAIN WITHIN DIMENSIONS		SEE TABLE		THIS DRAWING CONTAINS INFORMATION THAT IS PROPRIETARY TO MOLEX INCORPORATED AND SHOULD NOT BE USED WITHOUT WRITTEN PERMISSION				