



Chipsmall Limited consists of a professional team with an average of over 10 year of expertise in the distribution of electronic components. Based in Hongkong, we have already established firm and mutual-benefit business relationships with customers from,Europe,America and south Asia,supplying obsolete and hard-to-find components to meet their specific needs.

With the principle of “Quality Parts,Customers Priority,Honest Operation,and Considerate Service”,our business mainly focus on the distribution of electronic components. Line cards we deal with include Microchip,ALPS,ROHM,Xilinx,Pulse,ON,Everlight and Freescale. Main products comprise IC,Modules,Potentiometer,IC Socket,Relay,Connector.Our parts cover such applications as commercial,industrial, and automotives areas.

We are looking forward to setting up business relationship with you and hope to provide you with the best service and solution. Let us make a better world for our industry!



Contact us

Tel: +86-755-8981 8866 Fax: +86-755-8427 6832

Email & Skype: info@chipsmall.com Web: www.chipsmall.com

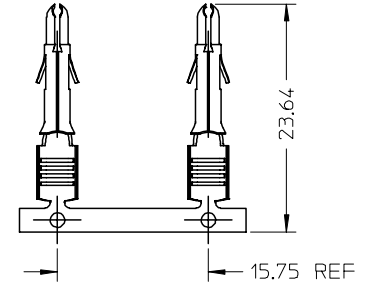
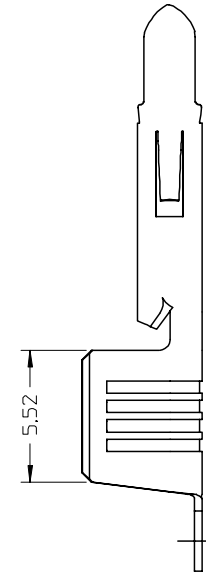
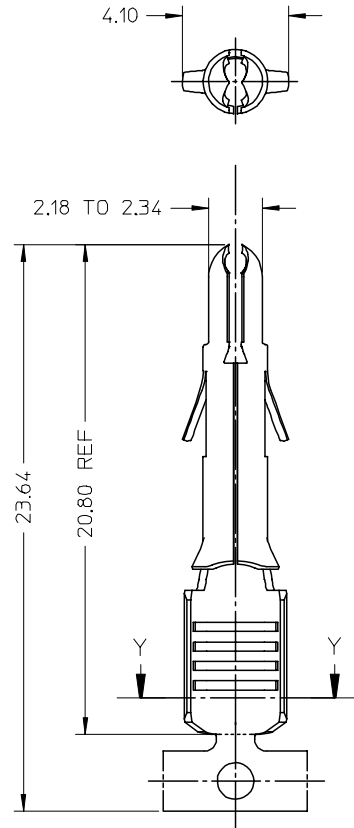
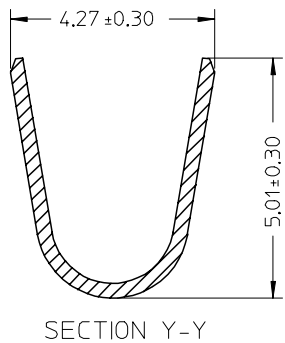
Address: A1208, Overseas Decoration Building, #122 Zhenhua RD., Futian, Shenzhen, China



36663

MATERIAL No.	FINISH	WIRE SIZE	INSULATION DIA	PACKAGING
36663-0001	SEE NOTE 2	10-12AWG	5.08 MAX	REEL
36663-0002	SEE NOTE 2	10-12AWG	5.08 MAX	LOOSE

- NOTES:
1. MATERIAL : BRASS
 2. FINISH : HOT TIN DIP, THICKNESS 0.51 MICROMETER MIN
 3. PIN TERMINALS FOR USE WITH THE .084/(2.13) SERIES HOUSINGS.
 PLUG (42021-**)
 CAP (42022-**)
 PIN TERMINAL TO MATE WITH SOCKET TERMINALS OF .084/(2.13) DIA SERIES
 4. CRIMP RANGE SEE CHART
 5. PRODUCT SPECIFICATION : PS-36663-001 APPLIES



TERMINALS IN CHAIN FORM
SCALE 1:1

EC NO: 12005-0004 DRWN: SSUDHIR 2004/07/07 CHKD: DGDATHA 2004/07/07 APPR: DGDATHA 2004/07/08	DESCRIPTION 1 REV	QUALITY SYMBOLS ▽ = 0 ▽ = 0	GENERAL TOLERANCES (UNLESS SPECIFIED)		SCALE 5:1	DESIGN UNITS METRIC	THIRD ANGLE PROJECTION	REVISE ON CAD ONLY		
		4 PLACES ± --- ± --- 3 PLACES ± --- ± --- 2 PLACES ± 0.25 ± --- 1 PLACE ± 0.38 ± ---	mm INCH	DIMENSION STYLE MM ONLY		TITLE STAMP PART BRASS TERMINAL SPLIT PIN MLX 10-12AWG 5.08 INS DIA				
		ANGULAR ± 2 °		DRAFT WHERE APPLICABLE		DRAWN BY SSUDHIR	DATE 2004/07/01	MOLEX INCORPORATED		
		MUST REMAIN WITHIN DIMENSIONS		APPROVED BY DGDATHA	DATE 2004/07/01	MATERIAL NO. SEE CHART	DOCUMENT NO. SD-36663-001	SHEET NO. 1 OF 1	THIS DRAWING CONTAINS INFORMATION THAT IS PROPRIETARY TO MOLEX INCORPORATED AND SHOULD NOT BE USED WITHOUT WRITTEN PERMISSION	