



Chipsmall Limited consists of a professional team with an average of over 10 year of expertise in the distribution of electronic components. Based in Hongkong, we have already established firm and mutual-benefit business relationships with customers from,Europe,America and south Asia,supplying obsolete and hard-to-find components to meet their specific needs.

With the principle of “Quality Parts,Customers Priority,Honest Operation,and Considerate Service”,our business mainly focus on the distribution of electronic components. Line cards we deal with include Microchip,ALPS,ROHM,Xilinx,Pulse,ON,Everlight and Freescale. Main products comprise IC,Modules,Potentiometer,IC Socket,Relay,Connector.Our parts cover such applications as commercial,industrial, and automotives areas.

We are looking forward to setting up business relationship with you and hope to provide you with the best service and solution. Let us make a better world for our industry!



Contact us

Tel: +86-755-8981 8866 Fax: +86-755-8427 6832

Email & Skype: info@chipsmall.com Web: www.chipsmall.com

Address: A1208, Overseas Decoration Building, #122 Zhenhua RD., Futian, Shenzhen, China



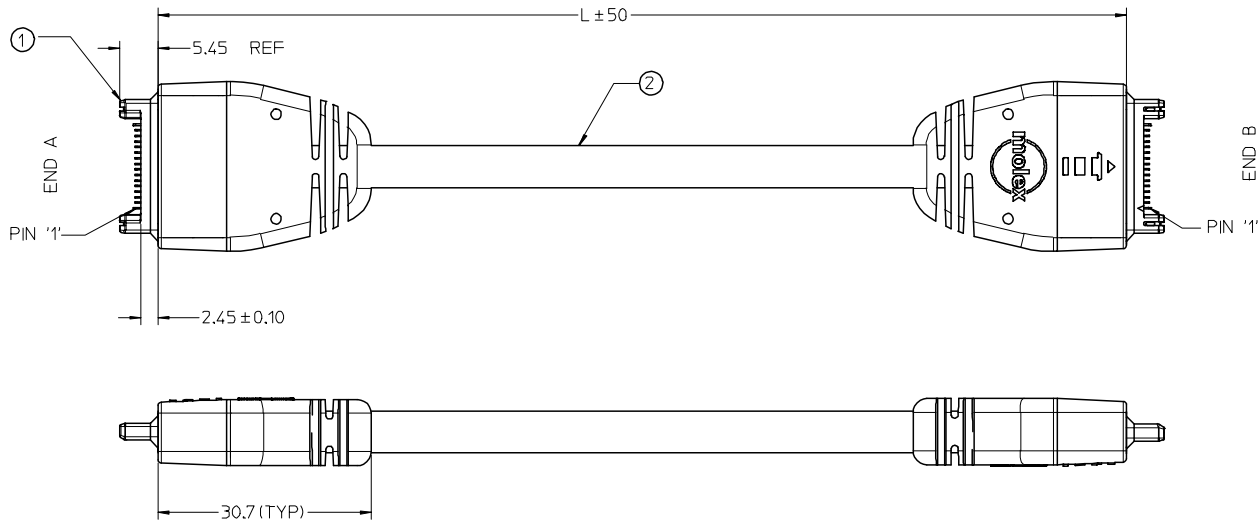
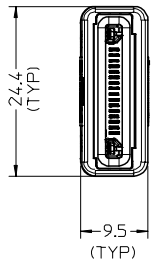


TABLE-1

16	YELLOW/WHITE	16
15	GREEN/WHITE	15
14	BROWN/WHITE	14
13	BLUE/WHITE	13
12	ORANGE/WHITE	12
11	RED/WHITE	11
10	WHITE	10
9	BLACK/WHITE	9
8	VOILET	8
7	BLUE	7
6	GREEN	6
5	YELLOW	5
4	ORANGE	4
3	RED	3
2	BROWN	2
1	BLACK	1
END A	COLOUR	END B

PART NUMBER	'L' (MM)
36697-0001	1000
36697-0002	2000
36697-0003	3000

2	16 CORE CABLE, 7/0.1 STRANDED TINNED COPPER 30 AWG, PVC JACKETED, OD 6.0MM	-
1	HANDYLINK 16 PIN CONNECTOR PART 453391600	2
ITEM	DESCRIPTION	QTY

RoHS COMPLIANT

EC NO: 12006-0503 DRAWN: SSUDHIR 2006/06/28 CHKD: KPRASAD 2006/06/28 APPR: KPRASAD 2006/06/28	DESCRIPTION	QUALITY SYMBOLS	GENERAL TOLERANCES (UNLESS SPECIFIED)	DIMENSION STYLE	SCALE	DESIGN UNITS	THIRD ANGLE PROJECTION
		▽=0	mm INCH	MM ONLY	2:1	METRIC	☉
		▽=0	4 PLACES ± --- ± ---	DRAWN BY DATE	TITLE		
			3 PLACES ± --- ± ---	SSUDHIR 2005/07/20	HANDYLINK STRAIGHT CABLE ASSEMBLY		
	2 PLACES ± --- ± ---	CHECKED BY DATE	MOLEX INCORPORATED				
	1 PLACE ± --- ± ---	KPRASAD 2005/07/20	SD-36697-001				
	ANGULAR ± --- °	APPROVED BY DATE	DOCUMENT NO.				
		KPRASAD 2005/07/20	SHEET NO.				
		MATERIAL NO.	1 OF 1				
		SIZE	THIS DRAWING CONTAINS INFORMATION THAT IS PROPRIETARY TO MOLEX INCORPORATED AND SHOULD NOT BE USED WITHOUT WRITTEN PERMISSION				
		A2					
			SEE CHART				
			DRAFT WHERE APPLICABLE MUST REMAIN WITHIN DIMENSIONS				