



Chipsmall Limited consists of a professional team with an average of over 10 year of expertise in the distribution of electronic components. Based in Hongkong, we have already established firm and mutual-benefit business relationships with customers from,Europe,America and south Asia,supplying obsolete and hard-to-find components to meet their specific needs.

With the principle of “Quality Parts,Customers Priority,Honest Operation,and Considerate Service”,our business mainly focus on the distribution of electronic components. Line cards we deal with include Microchip,ALPS,ROHM,Xilinx,Pulse,ON,Everlight and Freescale. Main products comprise IC,Modules,Potentiometer,IC Socket,Relay,Connector.Our parts cover such applications as commercial,industrial, and automotives areas.

We are looking forward to setting up business relationship with you and hope to provide you with the best service and solution. Let us make a better world for our industry!



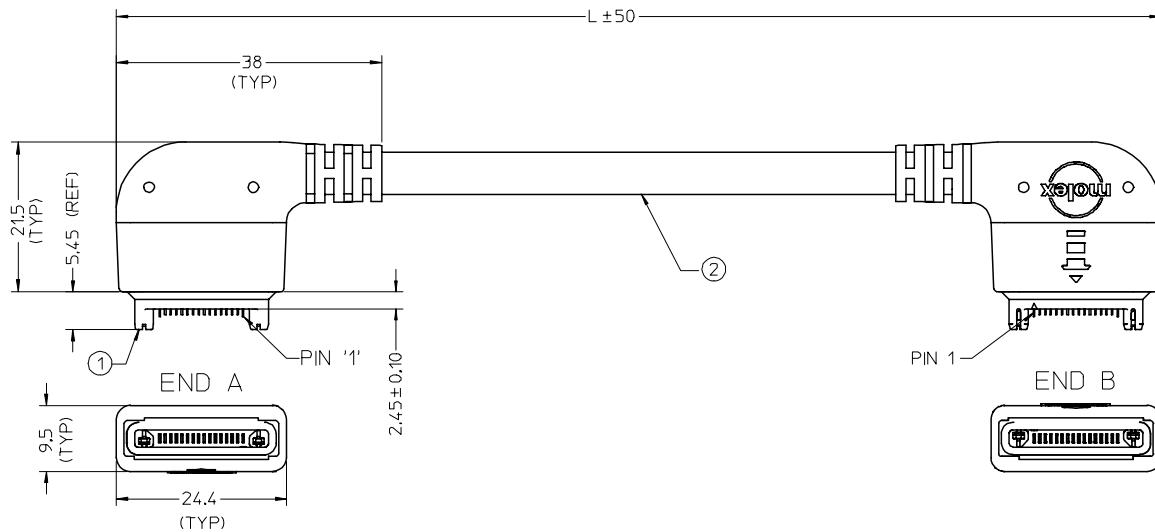
Contact us

Tel: +86-755-8981 8866 Fax: +86-755-8427 6832

Email & Skype: info@chipsmall.com Web: www.chipsmall.com

Address: A1208, Overseas Decoration Building, #122 Zhenhua RD., Futian, Shenzhen, China





16	YELLOW/WHITE	16
15	GREEN/WHITE	15
14	BROWN/WHITE	14
13	BLUE/WHITE	13
12	ORANGE/WHITE	12
11	RED/WHITE	11
10	WHITE	10
9	BLACK/WHITE	9
8	VOILET	8
7	BLUE	7
6	GREEN	6
5	YELLOW	5
4	ORANGE	4
3	RED	3
2	BROWN	2
1	BLACK	1
END A	COLOUR	END B

PART NUMBER	'L' (MM)
36697-0010	1000
36697-0011	2000
36697-0012	3000

2	16 CORE CABLE, 7/0.1 STRANDED TINNED COPPER 30 AWG, PVC JACKETED, OD 6.0MM	-
1	HANDYLINK 16PIN CONNECTOR PART 45339-1600	2
ITEM	METRIC DESCRIPTION	QTY
RoHS COMPLIANT		
QUALITY SYMBOLS ▽=0 ▽=0		THIRD ANGLE PROJECTION
GENERAL TOLERANCES (UNLESS SPECIFIED)		SCALE 1:1 DESIGN UNITS METRIC
4 PLACES ± --- ± ---		DRAWN BY SSUDHIR DATE 2005/07/20 CHECKED BY KPRASAD DATE 2005/07/20 APPROVED BY KPRASAD DATE 2005/07/20 MATERIAL NO. DOCUMENT NO. SD-36697-002
3 PLACES ± --- ± ---		
2 PLACES ± --- ± ---		
1 PLACE ± --- ± ---		
ANGULAR ± --- °		MOLEX INCORPORATED
DRAFT WHERE APPLICABLE MUST REMAIN WITHIN DIMENSIONS		
SIZE A2		THIS DRAWING CONTAINS INFORMATION THAT IS PROPRIETARY TO MOLEX INCORPORATED AND SHOULD NOT BE USED WITHOUT WRITTEN PERMISSION