



Chipsmall Limited consists of a professional team with an average of over 10 year of expertise in the distribution of electronic components. Based in Hongkong, we have already established firm and mutual-benefit business relationships with customers from,Europe,America and south Asia,supplying obsolete and hard-to-find components to meet their specific needs.

With the principle of “Quality Parts,Customers Priority,Honest Operation,and Considerate Service”,our business mainly focus on the distribution of electronic components. Line cards we deal with include Microchip,ALPS,ROHM,Xilinx,Pulse,ON,Everlight and Freescale. Main products comprise IC,Modules,Potentiometer,IC Socket,Relay,Connector.Our parts cover such applications as commercial,industrial, and automotives areas.

We are looking forward to setting up business relationship with you and hope to provide you with the best service and solution. Let us make a better world for our industry!



Contact us

Tel: +86-755-8981 8866 Fax: +86-755-8427 6832

Email & Skype: info@chipsmall.com Web: www.chipsmall.com

Address: A1208, Overseas Decoration Building, #122 Zhenhua RD., Futian, Shenzhen, China



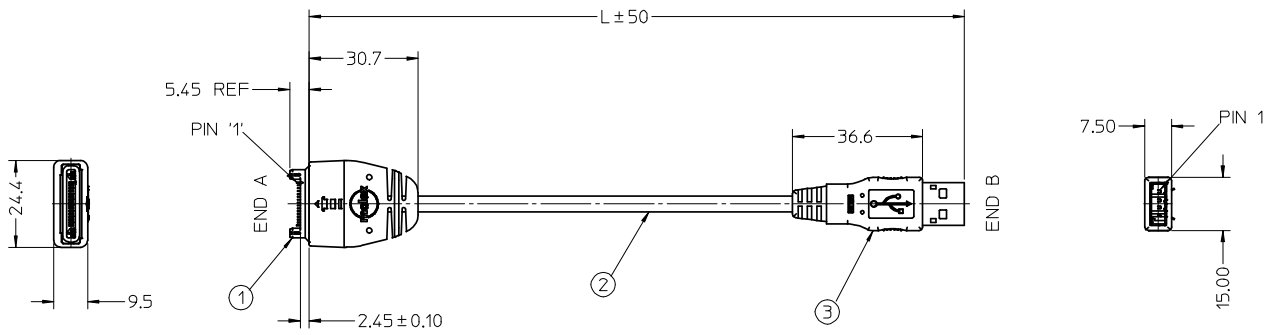


TABLE (1): CABLE ASSEMBLY PART NUMBER CHART

PART NUMBER	'L' (MM)
366970021	1000
366970022	2000
366970023	3000
366970024	1000

TABLE (2): CABLE ASSEMBLY CONSTITUENTS

ITEM	DESCRIPTION	QTY
3	USB 'A' PLUG	1
2	USB SHIELDED HIGH SPEED CABLE 2.0 REVISION 28/1P+26/2C E52534-D AWM 30V 75°C VW-1 DIA 4.4MM	-
1	HANDYLINK 16 PIN CONNECTOR PART 45339-1600	1

TABLE (3): CIRCUIT CONNECTION CHART
(APPLICABLE FOR CABLE ASSY 366970021, 366970022 AND 366970023)

HANDYLINK CONNECTOR END A	WIRE COLOR	USB A PLUG END B
CKT # 1	DRAIN WIRE	SHELL
CKT # 2	---	---
CKT # 3	---	---
CKT # 4	BLACK	CKT # 4
CKT # 5	GREEN	CKT # 3
CKT # 6	WHITE	CKT # 2
CKT # 7	RED	CKT # 1
CKT # 8	--	--
CKT # 9	--	--
CKT # 10	--	--
CKT # 11	--	--
CKT # 12	--	--
CKT # 13	--	--
CKT # 14	--	--
CKT # 15	--	--
CKT # 16	INTERNALLY SHORTED IN HANDYLINK CONN. TO CKT 1	.
Latch 1	--	--
Latch 2	--	--

TABLE (4): CIRCUIT CONNECTION CHART
(APPLICABLE FOR CABLE ASSY 366970024)

HANDYLINK CONNECTOR END A	CABLE 365440006 CONNECTIVITY	USB A PLUG END B
CKT # 1	---	---
CKT # 2	---	---
CKT # 3	---	---
CKT # 4	DRAIN WIRE & SHEILD	4
CKT # 5	---	---
CKT # 6	---	---
CKT # 7	---	---
CKT # 8	---	---
CKT # 9	---	---
CKT # 10	---	---
CKT # 11	---	---
CKT # 12	BLACK	4
CKT # 13	WHITE	2
CKT # 14	GREEN	3
CKT # 15	---	---
CKT # 16	---	---
Latch 1	---	---
Latch 2	---	---

RoHS COMPLIANT

ENTER DESCRIPTION EC NO: I2008-0386 DRWN: IRRRANGAPPAO1 2008/03/13 CHKD: KPRASAD 2008/03/13 APPR: KPRASAD 2008/03/14 REV A	QUALITY SYMBOLS ▽=0 ▽=0	GENERAL TOLERANCES (UNLESS SPECIFIED)		DIMENSION STYLE MM ONLY		SCALE 1:1	DESIGN UNITS METRIC	THIRD ANGLE PROJECTION
		4 PLACES ±--- ±--- 3 PLACES ±--- ±--- 2 PLACES ±--- ±--- 1 PLACE ±--- ±--- ANGULAR ±---°	mm INCH ±--- ±--- ±--- ±--- ±--- ±--- ±--- ±---	DRAWN BY SSUDHIR 2005/07/20	DATE 2005/07/20	TITLE HANDYLINK STRAIGHT TO USB 'A' PLUG CABLE ASSEMBLY		MOLEX INCORPORATED
DRAFT WHERE APPLICABLE MUST REMAIN WITHIN DIMENSIONS		SEE TABLE (1)		MATERIAL NO.		DOCUMENT NO.		SD-36697-003
THIS DRAWING CONTAINS INFORMATION THAT IS PROPRIETARY TO MOLEX INCORPORATED AND SHOULD NOT BE USED WITHOUT WRITTEN PERMISSION								