



Chipsmall Limited consists of a professional team with an average of over 10 year of expertise in the distribution of electronic components. Based in Hongkong, we have already established firm and mutual-benefit business relationships with customers from,Europe,America and south Asia,supplying obsolete and hard-to-find components to meet their specific needs.

With the principle of “Quality Parts,Customers Priority,Honest Operation,and Considerate Service”,our business mainly focus on the distribution of electronic components. Line cards we deal with include Microchip,ALPS,ROHM,Xilinx,Pulse,ON,Everlight and Freescale. Main products comprise IC,Modules,Potentiometer,IC Socket,Relay,Connector.Our parts cover such applications as commercial,industrial, and automotives areas.

We are looking forward to setting up business relationship with you and hope to provide you with the best service and solution. Let us make a better world for our industry!



Contact us

Tel: +86-755-8981 8866 Fax: +86-755-8427 6832

Email & Skype: info@chipsmall.com Web: www.chipsmall.com

Address: A1208, Overseas Decoration Building, #122 Zhenhua RD., Futian, Shenzhen, China



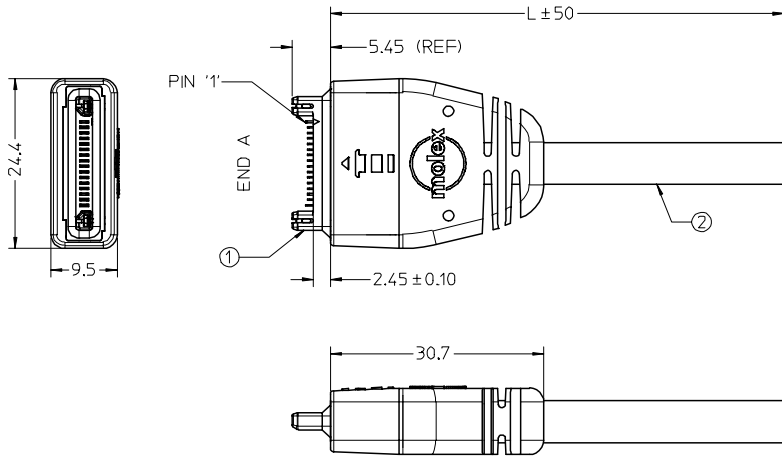


TABLE-1

16	YELLOW/WHITE
15	GREEN/WHITE
14	BROWN/WHITE
13	BLUE/WHITE
12	ORANGE/WHITE
11	RED/WHITE
10	WHITE
9	BLACK/WHITE
8	VOILET
7	BLUE
6	GREEN
5	YELLOW
4	ORANGE
3	RED
2	BROWN
1	BLACK
END A	COLOUR

PART NUMBER	'L' (MM)
36697-0031	1000
36697-0032	2000
36697-0033	3000

2	16 CORE CABLE 7/0.1 STRANDED TINNED COPPER 30 AWG. PVC JACKETED.OD 6MM	SEE CHART															
1	HANDYLINK 16 PIN CONNECTOR (453391600)	1															
ITEM	DESCRIPTION	QTY															
RoHS COMPLIANT																	
QUALITY SYMBOLS ▽=0 ▽=0		GENERAL TOLERANCES (UNLESS SPECIFIED) <table border="1"> <thead> <tr> <th></th> <th>mm</th> <th>INCH</th> </tr> </thead> <tbody> <tr> <td>4 PLACES</td> <td>± ---</td> <td>± ---</td> </tr> <tr> <td>3 PLACES</td> <td>± ---</td> <td>± ---</td> </tr> <tr> <td>2 PLACES</td> <td>± ---</td> <td>± ---</td> </tr> <tr> <td>1 PLACE</td> <td>± ---</td> <td>± ---</td> </tr> </tbody> </table> ANGULAR ± ---°		mm	INCH	4 PLACES	± ---	± ---	3 PLACES	± ---	± ---	2 PLACES	± ---	± ---	1 PLACE	± ---	± ---
	mm	INCH															
4 PLACES	± ---	± ---															
3 PLACES	± ---	± ---															
2 PLACES	± ---	± ---															
1 PLACE	± ---	± ---															
DIMENSION STYLE MM ONLY		SCALE 2:1															
DRAWN BY DONNELL		DATE 2005/07/29															
CHECKED BY SSUDHIR		DATE 2005/07/29															
APPROVED BY SSUDHIR		DATE 2005/07/29															
MATERIAL NO. SEE CHART		DOCUMENT NO. SD-36697-004															
DRAFT WHERE APPLICABLE MUST REMAIN WITHIN DIMENSIONS		THIRD ANGLE PROJECTION															
SIZE A2		SHEET NO. 1 OF 1															
THIS DRAWING CONTAINS INFORMATION THAT IS PROPRIETARY TO MOLEX INCORPORATED AND SHOULD NOT BE USED WITHOUT WRITTEN PERMISSION																	