



Chipsmall Limited consists of a professional team with an average of over 10 year of expertise in the distribution of electronic components. Based in Hongkong, we have already established firm and mutual-benefit business relationships with customers from,Europe,America and south Asia,supplying obsolete and hard-to-find components to meet their specific needs.

With the principle of “Quality Parts,Customers Priority,Honest Operation,and Considerate Service”,our business mainly focus on the distribution of electronic components. Line cards we deal with include Microchip,ALPS,ROHM,Xilinx,Pulse,ON,Everlight and Freescale. Main products comprise IC,Modules,Potentiometer,IC Socket,Relay,Connector.Our parts cover such applications as commercial,industrial, and automotives areas.

We are looking forward to setting up business relationship with you and hope to provide you with the best service and solution. Let us make a better world for our industry!



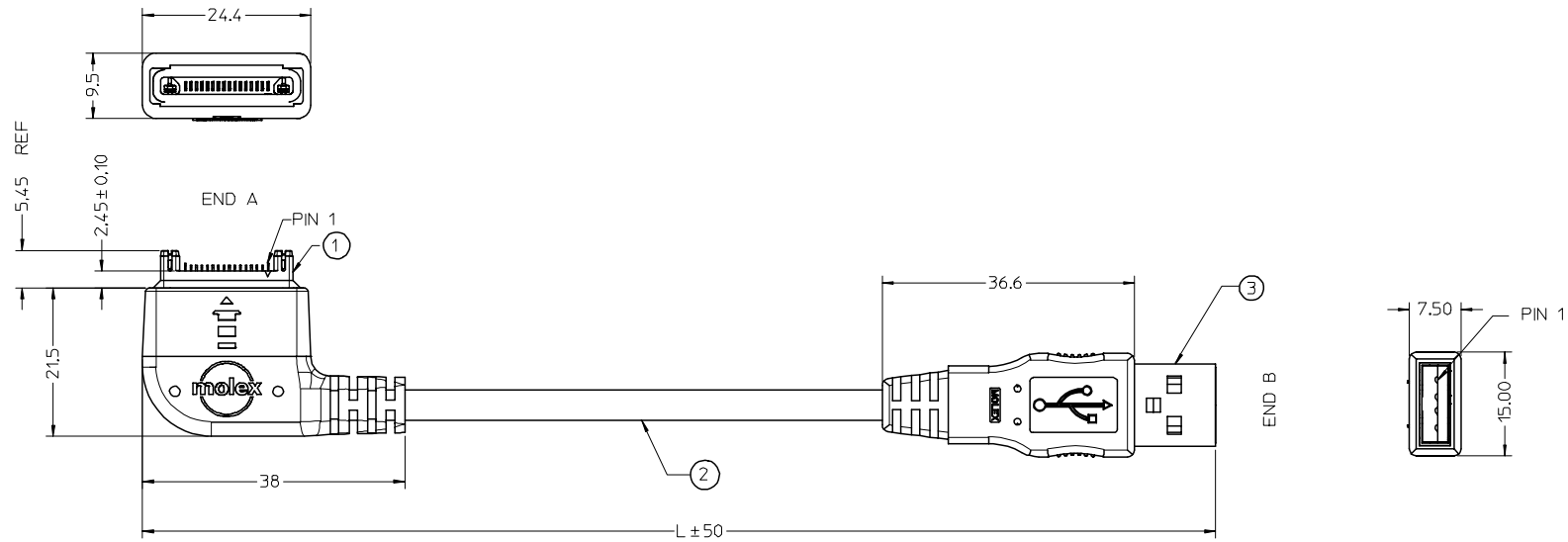
## Contact us

Tel: +86-755-8981 8866 Fax: +86-755-8427 6832

Email & Skype: info@chipsmall.com Web: www.chipsmall.com

Address: A1208, Overseas Decoration Building, #122 Zhenhua RD., Futian, Shenzhen, China





HANDYLINK CONNECTOR END A	WIRE COLOR	USB A PLUG END B
CKT # 1	DRAIN WIRE	SHELL
CKT # 2	---	---
CKT # 3	---	---
CKT # 4	BLACK	CKT # 4
CKT # 5	GREEN	CKT # 3
CKT # 6	WHITE	CKT # 2
CKT # 7	RED	CKT # 1
CKT # 8	--	--
CKT # 9	--	--
CKT # 10	--	--
CKT # 11	--	--
CKT # 12	--	--
CKT # 13	--	--
CKT # 14	--	--
CKT # 15	--	--
CKT # 16	INTERNALLY SHORTED IN HANDYLINK CONN. TO CKT 1	--
Latch 1	--	--
Latch 2	--	--

PART NUMBER	'L' (MM)
36697-0061	1000
36697-0062	2000
36697-0063	3000

ITEM	DESCRIPTION	QTY
3	USB 'A' PLUG	1
2	USB SHIELDED HIGH SPEED CABLE 2.0 REVISION 28/1P+26/2C E52534-D AWM 30V 75°C VW-1 DIA 4.4MM	SEE CHART
1	HANDYLINK 16 PIN CONNECTOR PART 45339-1600	1

RoHS COMPLIANT

EC NO: 12006-0503 DRAWN: SSUDHIR 2006/06/28 CHKD: KPRASAD 2006/06/28 APPR: KPRASAD 2006/06/28	QUALITY SYMBOLS ▽=0 ▽=0	GENERAL TOLERANCES (UNLESS SPECIFIED)		DIMENSION STYLE <b>MM ONLY</b>	SCALE <b>2:1</b>	DESIGN UNITS <b>METRIC</b>	THIRD ANGLE PROJECTION
		4 PLACES ± --- ± --- 3 PLACES ± --- ± --- 2 PLACES ± --- ± --- 1 PLACE ± --- ± --- ANGULAR ± --- °	mm INCH	DRAWN BY DONNELL	DATE 2005/08/19	TITLE <b>HANDYLINK RIGHT ANGLED TO USB 'A' PLUG CABLE ASSEMBLY</b>	
2 REV	DESCRIPTION	DRAFT WHERE APPLICABLE MUST REMAIN WITHIN DIMENSIONS		CHECKED BY SSUDHIR	DATE 2005/08/19	MOLEX INCORPORATED	
		SEE CHART		APPROVED BY SSUDHIR	DATE 2005/08/19	MATERIAL NO. SD-36697-007	DOCUMENT NO.
THIS DRAWING CONTAINS INFORMATION THAT IS PROPRIETARY TO MOLEX INCORPORATED AND SHOULD NOT BE USED WITHOUT WRITTEN PERMISSION							