



Chipsmall Limited consists of a professional team with an average of over 10 year of expertise in the distribution of electronic components. Based in Hongkong, we have already established firm and mutual-benefit business relationships with customers from,Europe,America and south Asia,supplying obsolete and hard-to-find components to meet their specific needs.

With the principle of "Quality Parts,Customers Priority,Honest Operation,and Considerate Service",our business mainly focus on the distribution of electronic components. Line cards we deal with include Microchip,ALPS,ROHM,Xilinx,Pulse,ON,Everlight and Freescale. Main products comprise IC,Modules,Potentiometer,IC Socket,Relay,Connector.Our parts cover such applications as commercial,industrial, and automotives areas.

We are looking forward to setting up business relationship with you and hope to provide you with the best service and solution. Let us make a better world for our industry!



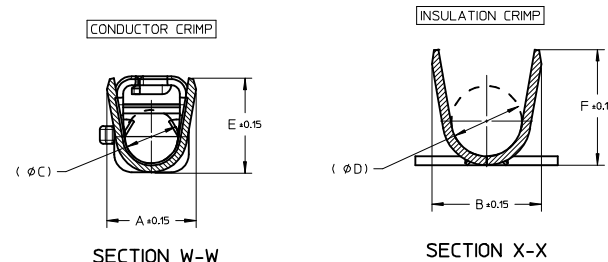
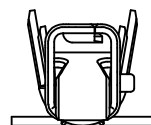
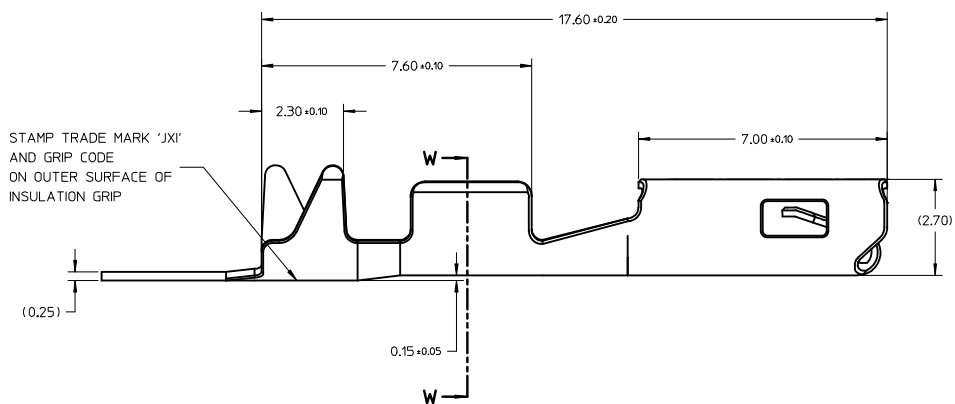
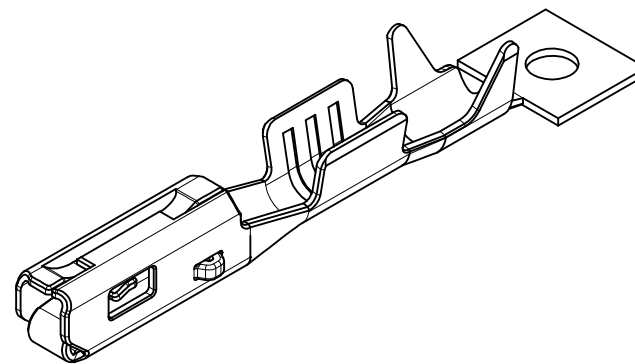
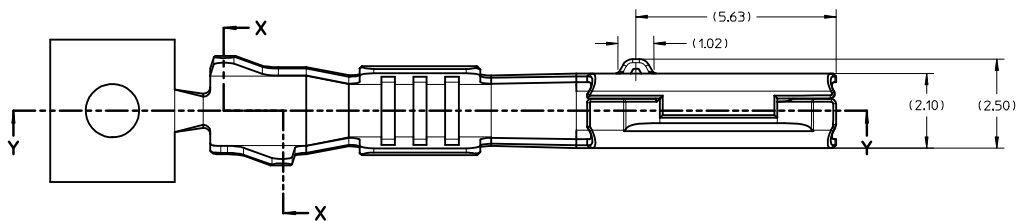
Contact us

Tel: +86-755-8981 8866 Fax: +86-755-8427 6832

Email & Skype: info@chipsmall.com Web: www.chipsmall.com

Address: A1208, Overseas Decoration Building, #122 Zhenhua RD., Futian, Shenzhen, China

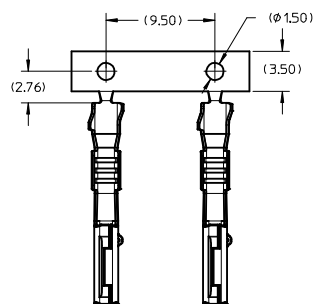
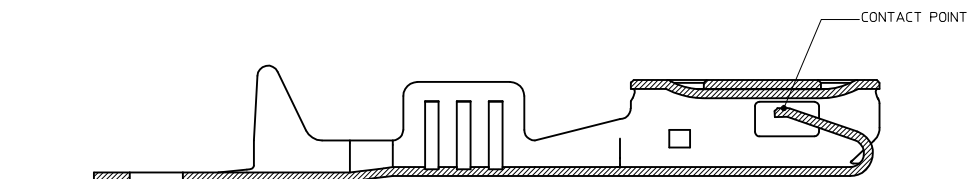




- NOTES:
1. MATERIAL: COPPER ALLOY (MIN. 1 MICRON HOT DIPPED Sn PREPLATED)
 2. PACKAGING: REFER TO PK-36799-001.
 3. APPLICATION SPECIFICATION: REFER TO AS-36783-001.
 4. PRODUCT SPECIFICATION: REFER TO PS-36783-001/PS-36790-001(PRELIMINARY RELEASED).
 5. USE WITH 36792/36807

TABLE A

MOLEX P/N	GRIP CODE	METRIC (mm ²) WIRE SIZE	DIM A	DIM B	DIM ØC	DIM ØD	DIM E	DIM F
367990001	M	0.75-1.00	2.51	3.07	1.50	1.98	2.64	3.25
367990002	S	0.35-0.50	1.91	2.47	1.00	1.54	1.94	2.60



SECTION Y-Y

PART# REPLACEMENT EC NO: 12014-0026 DRW: MAMAKRI SHINA 2013/09/16 CHKD: CHKD: APPR: KPRASAD 2013/09/30	QUALITY SYMBOLS ∇=0 ∇=0 ∇=0	GENERAL TOLERANCES (UNLESS SPECIFIED) <table border="1"> <thead> <tr> <th></th> <th>mm</th> <th>INCH</th> </tr> </thead> <tbody> <tr> <td>4 PLACES</td> <td>± ---</td> <td>± ---</td> </tr> <tr> <td>3 PLACES</td> <td>± ---</td> <td>± ---</td> </tr> <tr> <td>2 PLACES</td> <td>± ---</td> <td>± ---</td> </tr> <tr> <td>1 PLACE</td> <td>± ---</td> <td>± ---</td> </tr> <tr> <td>0 PLACE</td> <td>± ---</td> <td>± ---</td> </tr> </tbody> </table>		mm	INCH	4 PLACES	± ---	± ---	3 PLACES	± ---	± ---	2 PLACES	± ---	± ---	1 PLACE	± ---	± ---	0 PLACE	± ---	± ---	DIMENSION STYLE MM ONLY DRAWN BY: PKRISHNANO1 DATE: 2012/07/05 CHECKED BY: DATE: APPROVED BY: KPRASAD DATE: 2013/05/02	SCALE: 10:1 DESIGN UNITS: METRIC THIRD ANGLE PROJECTION	TITLE: FEMALE TERMINAL 1.2 MM SEALED CONNECTOR SYSTEM molex MATERIAL NO. SEE TABLE A DOCUMENT NO. SD-36799-001
		mm	INCH																				
	4 PLACES	± ---	± ---																				
	3 PLACES	± ---	± ---																				
2 PLACES	± ---	± ---																					
1 PLACE	± ---	± ---																					
0 PLACE	± ---	± ---																					
ANGULAR ±1/2° DRAFT WHERE APPLICABLE MUST REMAIN WITHIN DIMENSIONS		SHEET NO. 1 OF 1																					
THIS DRAWING CONTAINS INFORMATION THAT IS PROPRIETARY TO MOLEX INCORPORATED AND SHOULD NOT BE USED WITHOUT WRITTEN PERMISSION																							
REV: A																							