



Chipsmall Limited consists of a professional team with an average of over 10 year of expertise in the distribution of electronic components. Based in Hongkong, we have already established firm and mutual-benefit business relationships with customers from,Europe,America and south Asia,supplying obsolete and hard-to-find components to meet their specific needs.

With the principle of “Quality Parts,Customers Priority,Honest Operation,and Considerate Service”,our business mainly focus on the distribution of electronic components. Line cards we deal with include Microchip,ALPS,ROHM,Xilinx,Pulse,ON,Everlight and Freescale. Main products comprise IC,Modules,Potentiometer,IC Socket,Relay,Connector.Our parts cover such applications as commercial,industrial, and automotives areas.

We are looking forward to setting up business relationship with you and hope to provide you with the best service and solution. Let us make a better world for our industry!



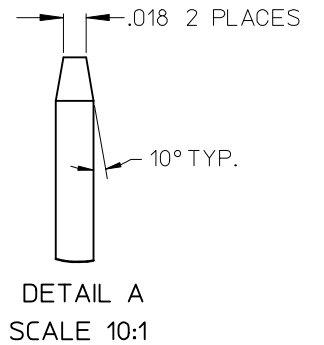
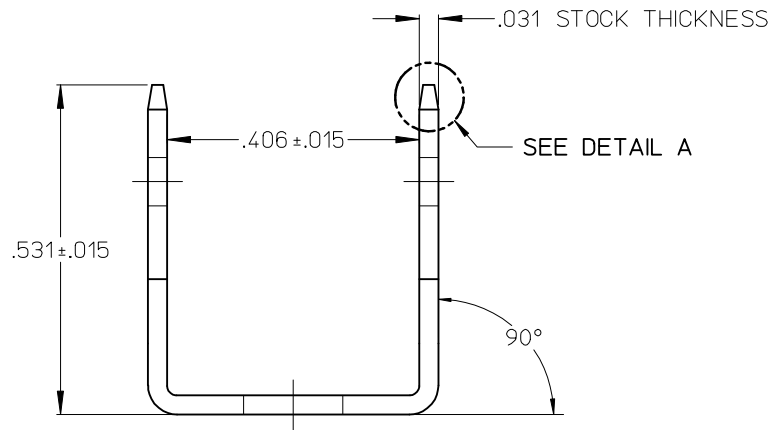
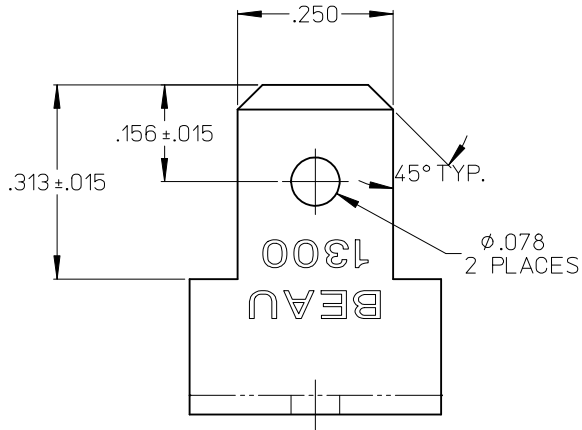
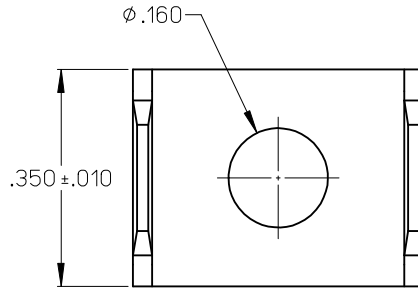
Contact us

Tel: +86-755-8981 8866 Fax: +86-755-8427 6832

Email & Skype: info@chipsmall.com Web: www.chipsmall.com

Address: A1208, Overseas Decoration Building, #122 Zhenhua RD., Futian, Shenzhen, China





NOTES:
 1. ALL DIMS SHOWN BEFORE PLATING
 2. PART IS RoHS COMPLIANT

380020076		1312		TERMINAL, .250 DBL TAB 1 HOLE 90/90		BRASS		TIN PLATED					
MATERIAL NO.		ENGINEERING NO.		DESCRIPTION		MATERIAL		FINISH					
INITIAL RELEASE EC NO: WNAZ009-0537 DRWN: JENCINAS 2009/04/22 CHKD: CYORK 2009/05/11 APPR: JIMAGNE II 2009/05/12	DESCRIPTION REV A	QUALITY SYMBOLS		GENERAL TOLERANCES (UNLESS SPECIFIED)		DIMENSION STYLE		SCALE		DESIGN UNITS		THIRD ANGLE PROJECTION	
		▼=0 ∇=0		mm INCH 4 PLACES ± --- ± --- 3 PLACES ± --- ± .005 2 PLACES ± --- ± .01 1 PLACE ± --- ± ---		INCH ONLY DRAWN BY DATE H. C. H. 1972/10/24 CHECKED BY DATE R. NEFF 1972/10/24 APPROVED BY DATE R. NEFF 1972/10/24		5:1		INCH		☉ THIRD ANGLE PROJECTION	
		ANGULAR ± 2°		DRAFT WHERE APPLICABLE MUST REMAIN WITHIN DIMENSIONS		MATERIAL NO.		TITLE		DOCUMENT NO.		SHEET NO.	
						SEE CHART		Molex MOLEX INCORPORATED SD-38002-066				1 OF 1	
								THIS DRAWING CONTAINS INFORMATION THAT IS PROPRIETARY TO MOLEX INCORPORATED AND SHOULD NOT BE USED WITHOUT WRITTEN PERMISSION					