



Chipsmall Limited consists of a professional team with an average of over 10 year of expertise in the distribution of electronic components. Based in Hongkong, we have already established firm and mutual-benefit business relationships with customers from,Europe,America and south Asia,supplying obsolete and hard-to-find components to meet their specific needs.

With the principle of “Quality Parts,Customers Priority,Honest Operation,and Considerate Service”,our business mainly focus on the distribution of electronic components. Line cards we deal with include Microchip,ALPS,ROHM,Xilinx,Pulse,ON,Everlight and Freescale. Main products comprise IC,Modules,Potentiometer,IC Socket,Relay,Connector.Our parts cover such applications as commercial,industrial, and automotives areas.

We are looking forward to setting up business relationship with you and hope to provide you with the best service and solution. Let us make a better world for our industry!



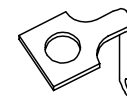
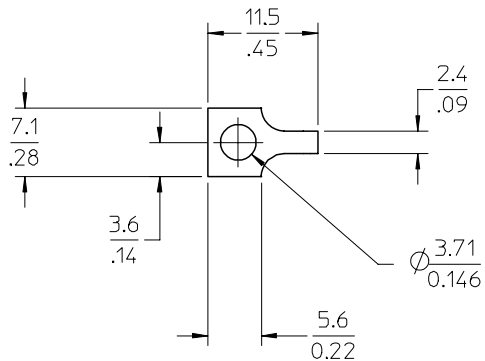
## Contact us

Tel: +86-755-8981 8866 Fax: +86-755-8427 6832

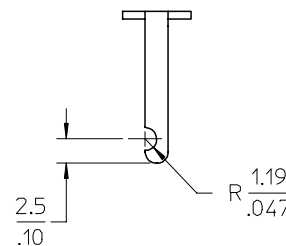
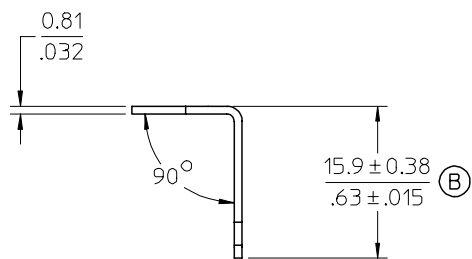
Email & Skype: info@chipsmall.com Web: www.chipsmall.com

Address: A1208, Overseas Decoration Building, #122 Zhenhua RD., Futian, Shenzhen, China





AUX.VIEW  
SCALE:2X



NOTES:

- 1. MATERIAL: SEE TABLE
- 2. FINISHES: SEE TABLE
- ⓑ 3. PART IS ROHS COMPLIANT.

1	1	TERMINAL	BRASS	TIN PLATED
ITEM	QTY.	DESCRIPTION	MATERIAL	FINISH

CHANGE DIM/ADD NOTES  
EC NO: ETC2007-0438  
DRWN: CLYORK 2007/07/12  
CHKD: JMACNEIL 2007/07/12  
APPR: JMACNEIL 2007/07/13

QUALITY SYMBOLS	DESCRIPTION
▽ = 0	
▽ = 0	

GENERAL TOLERANCES (UNLESS SPECIFIED)	
	mm INCH
4 PLACES	± --- ± ---
3 PLACES	± --- ± .005
2 PLACES	± 0.13 ± .01
1 PLACE	± 0.3 ± ---
ANGULAR ±1/2°	
DRAFT WHERE APPLICABLE	
MUST REMAIN WITHIN DIMENSIONS	

SCALE 2:1	DESIGN UNITS INCH
DIMENSION STYLE MM/IN	
DRAWN BY R.STONE	DATE 08-18-03
CHECKED BY RK	DATE 2-5-04
APPROVED BY GHR	DATE 2-26-04

THIRD ANGLE PROJECTION	REVISE ON CAD ONLY
TITLE TERMINAL, SOLDER, Y SHORT, CAT. # 143	
MOLEX INCORPORATED	
MATERIAL NO. 380020159	DOCUMENT NO. SD-38002-005
SHEET NO. 1 OF 1	
THIS DRAWING CONTAINS INFORMATION THAT IS PROPRIETARY TO MOLEX INCORPORATED AND SHOULD NOT BE USED WITHOUT WRITTEN PERMISSION	