



Chipsmall Limited consists of a professional team with an average of over 10 year of expertise in the distribution of electronic components. Based in Hongkong, we have already established firm and mutual-benefit business relationships with customers from,Europe,America and south Asia,supplying obsolete and hard-to-find components to meet their specific needs.

With the principle of “Quality Parts,Customers Priority,Honest Operation,and Considerate Service”,our business mainly focus on the distribution of electronic components. Line cards we deal with include Microchip,ALPS,ROHM,Xilinx,Pulse,ON,Everlight and Freescale. Main products comprise IC,Modules,Potentiometer,IC Socket,Relay,Connector.Our parts cover such applications as commercial,industrial, and automotives areas.

We are looking forward to setting up business relationship with you and hope to provide you with the best service and solution. Let us make a better world for our industry!



Contact us

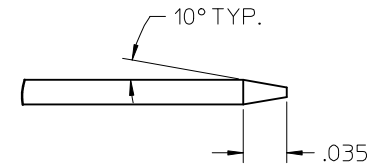
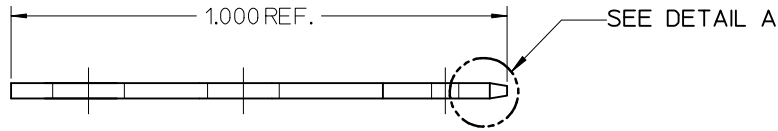
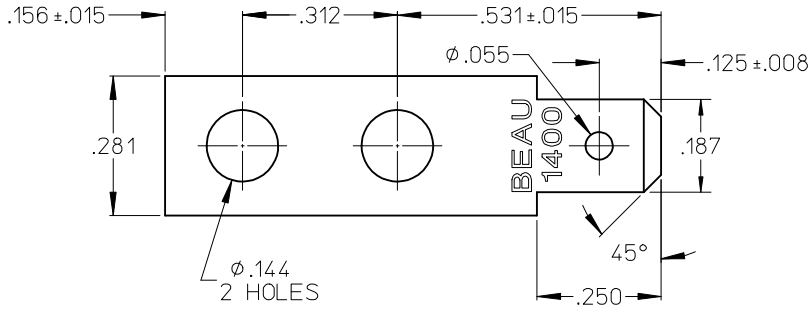
Tel: +86-755-8981 8866 Fax: +86-755-8427 6832

Email & Skype: info@chipsmall.com Web: www.chipsmall.com

Address: A1208, Overseas Decoration Building, #122 Zhenhua RD., Futian, Shenzhen, China



MATERIAL NO.	ENGINEERING NO.	DESCRIPTION	MATERIAL	FINISH
380020176	1413	TERMINAL, FAST-TAB, FLAT	BRASS	TIN OVER COPPER PLATED



DETAIL A
SCALE 10:1

NOTES:
1. PART IS ROHS COMPLIANT.

INITIAL RELEASE EC NO: WNA2009-0537 DRAWN: JENC INAS 2009/04/22 CHKD: CYORK 2009/05/11 APPR: JIMAGNE II 2009/05/12	QUALITY SYMBOLS ▽=0 ▽7=0	GENERAL TOLERANCES (UNLESS SPECIFIED) mm INCH 4 PLACES ± --- ± --- 3 PLACES ± --- ± .005 2 PLACES ± --- ± .01 1 PLACE ± --- ± --- ANGULAR ± 2°	DIMENSION STYLE INCH ONLY DRAWN BY DATE H. C. H. 1972/10/24 CHECKED BY DATE R. NEFF 1972/10/24 APPROVED BY DATE R. NEFF 1972/10/24	SCALE 4:1 DESIGN UNITS INCH THIRD ANGLE PROJECTION	TITLE TERMINAL, .187 FT, FL (CAT# 1413)
	MATERIAL NO. SEE CHART	DOCUMENT NO. SD-38002-067	SHEET NO. 1 OF 1		
	DRAFT WHERE APPLICABLE MUST REMAIN WITHIN DIMENSIONS				
	THIS DRAWING CONTAINS INFORMATION THAT IS PROPRIETARY TO MOLEX INCORPORATED AND SHOULD NOT BE USED WITHOUT WRITTEN PERMISSION				