



Chipsmall Limited consists of a professional team with an average of over 10 year of expertise in the distribution of electronic components. Based in Hongkong, we have already established firm and mutual-benefit business relationships with customers from,Europe,America and south Asia,supplying obsolete and hard-to-find components to meet their specific needs.

With the principle of “Quality Parts,Customers Priority,Honest Operation,and Considerate Service”,our business mainly focus on the distribution of electronic components. Line cards we deal with include Microchip,ALPS,ROHM,Xilinx,Pulse,ON,Everlight and Freescale. Main products comprise IC,Modules,Potentiometer,IC Socket,Relay,Connector.Our parts cover such applications as commercial,industrial, and automotives areas.

We are looking forward to setting up business relationship with you and hope to provide you with the best service and solution. Let us make a better world for our industry!



Contact us

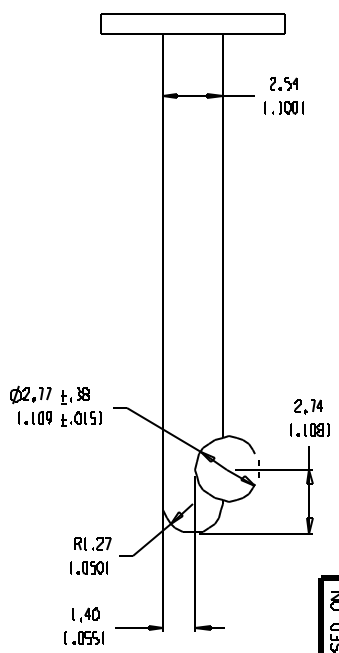
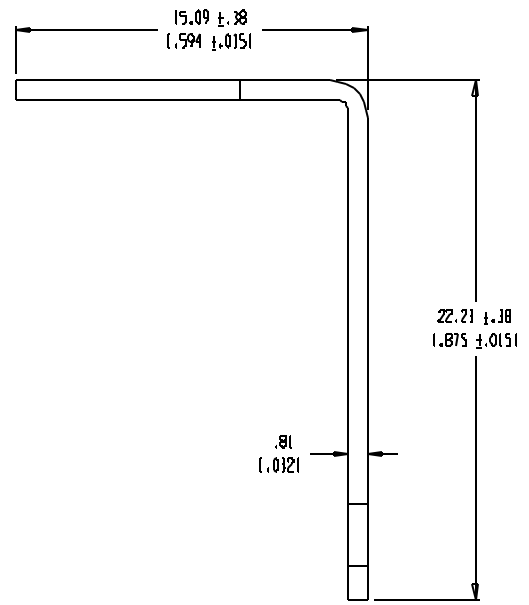
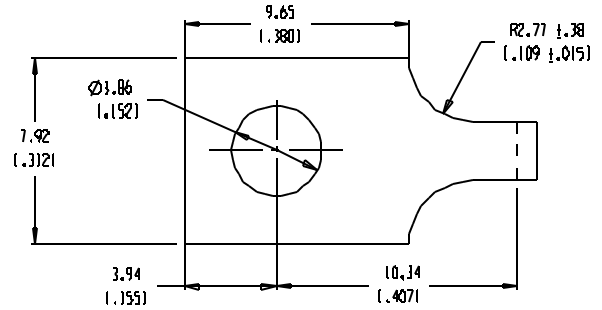
Tel: +86-755-8981 8866 Fax: +86-755-8427 6832

Email & Skype: info@chipsmall.com Web: www.chipsmall.com

Address: A1208, Overseas Decoration Building, #122 Zhenhua RD., Futian, Shenzhen, China



SD-38002-016



- NOTES:
1. MATERIAL: SEE TABLE
 2. FINISHES: SEE TABLE
 3. PRODUCT SPECIFICATION: NOT REQUIRED
 4. PACKAGING: NOT REQUIRED
 5. MATES WITH: NONE
 6. USED WITH: 1800 & 1900 SERIES TERMINAL STRIPS.

PROJECT NO.:	-	-
DIMENSIONS:	SHR	REV
<input checked="" type="checkbox"/> MM (INCH)	<input type="checkbox"/> INCH (MM)	<input type="checkbox"/> MM ONLY
THIRD ANGLE PROJECTION		REVISE ON CAD ONLY

RELEASED ON EC NO. EDO 11412 DRAWN: WH 11/25/03 APPR:	QUALITY SYMBOLS	GENERAL TOLERANCES: UNLESS SPECIFIED	SCALE 5:1	DESIGN UNITS <input type="checkbox"/> MM <input checked="" type="checkbox"/> INCH	DRAWN BY & DATE W. HOWARD 11/25/03	TITLE: TERMINAL, SOLDER Y (CAT #183)														
	MAJOR ORITICAL SPEC	<table border="1"> <tr> <th></th> <th>MM</th> <th>INCH</th> </tr> <tr> <td>4 PLACES</td> <td>±.0015</td> <td>±.0015</td> </tr> <tr> <td>3 PLACES</td> <td>±.0038</td> <td>±.005</td> </tr> <tr> <td>2 PLACES</td> <td>±.13</td> <td>±.01</td> </tr> <tr> <td>1 PLACE</td> <td>±.3</td> <td></td> </tr> </table>		MM	INCH	4 PLACES	±.0015	±.0015	3 PLACES	±.0038	±.005	2 PLACES	±.13	±.01	1 PLACE	±.3		APPROVED BY & DATE	CAD FILENAME 1804-0401	APPROVED BY & DATE
	MM	INCH																		
4 PLACES	±.0015	±.0015																		
3 PLACES	±.0038	±.005																		
2 PLACES	±.13	±.01																		
1 PLACE	±.3																			
DRAFT WHERE APPLICABLE MUST REMAIN WITHIN DIMENSIONS		ANGULAR: ±2°		THIS DRAWING CONTAINS INFORMATION THAT IS PROPRIETARY TO MOLEX INCORPORATED AND SHOULD NOT BE USED WITHOUT WRITTEN PERMISSION.																

ITEM	QTY.	DESCRIPTION	MATERIAL NO.	MATERIAL	FINISH
		TERMINAL	38002-0257	BRASS	TIN

