



Chipsmall Limited consists of a professional team with an average of over 10 year of expertise in the distribution of electronic components. Based in Hongkong, we have already established firm and mutual-benefit business relationships with customers from,Europe,America and south Asia,supplying obsolete and hard-to-find components to meet their specific needs.

With the principle of “Quality Parts,Customers Priority,Honest Operation,and Considerate Service”,our business mainly focus on the distribution of electronic components. Line cards we deal with include Microchip,ALPS,ROHM,Xilinx,Pulse,ON,Everlight and Freescale. Main products comprise IC,Modules,Potentiometer,IC Socket,Relay,Connector.Our parts cover such applications as commercial,industrial, and automotives areas.

We are looking forward to setting up business relationship with you and hope to provide you with the best service and solution. Let us make a better world for our industry!



## Contact us

Tel: +86-755-8981 8866 Fax: +86-755-8427 6832

Email & Skype: info@chipsmall.com Web: www.chipsmall.com

Address: A1208, Overseas Decoration Building, #122 Zhenhua RD., Futian, Shenzhen, China



10 9 8 7 6 5 4 3 2 1

F

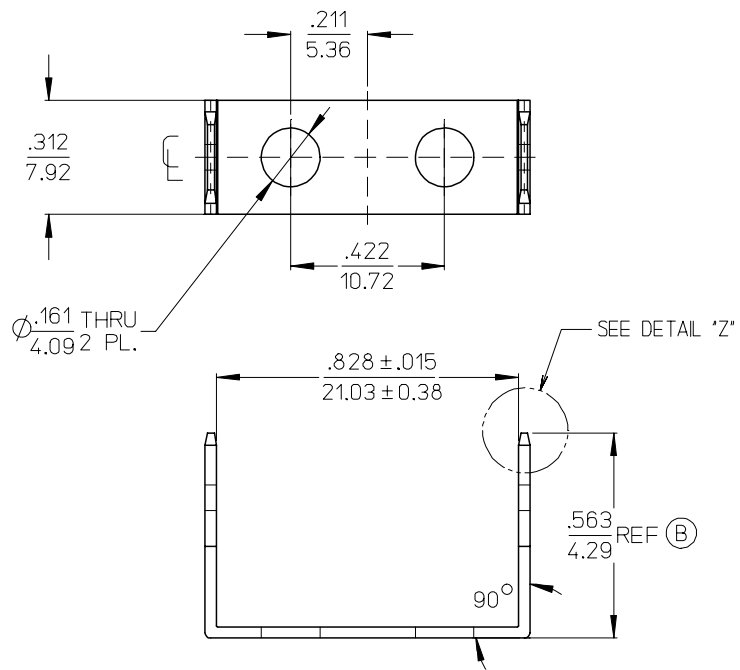
E

D

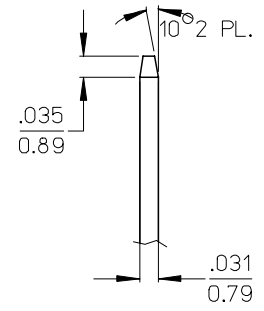
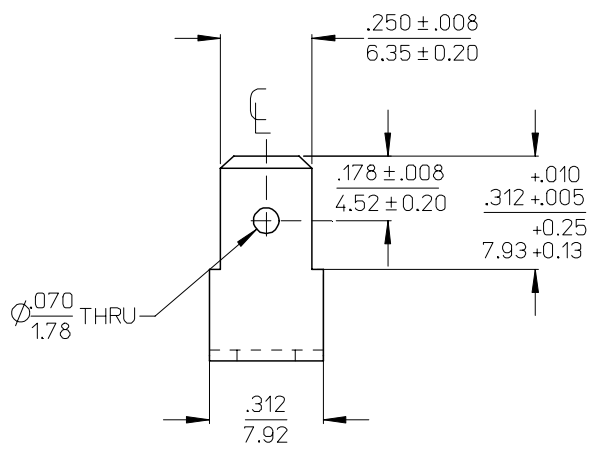
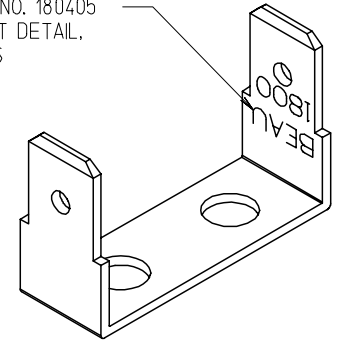
C

B

A



REF. DWG. NO. 180405  
FOR IMPRINT DETAIL,  
BOTH SIDES



DETAIL "Z"  
SCALE 5:1

NOTES:  
1. MATERIAL: 70/30 BRASS, HALF HARD  
2. FINISHES: SEE TABLE

380020266	1804-0701-A500	380020264	TIN PLATED
380020264	1804-0701-A110	435870182	PLAIN
MATERIAL NO.	ENGINEERING NO.	MADE FROM	FINISH

CHANGED TO REF DIM  
EC NO: ETC2006-0257  
DRWN:NASAYDEH 2006/03/03  
CHKD: ILOMASTRO 2006/03/06  
APPR: RDEROSS 2006/03/07

QUALITY SYMBOLS  
▽=0  
▽=0

GENERAL TOLERANCES (UNLESS SPECIFIED)	
	mm INCH
4 PLACES	± --- ±.0015
3 PLACES	± 0.038 ±.005
2 PLACES	± 0.13 ±.01
1 PLACE	± 0.25 ± ---
ANGULAR ± 2 °	
DRAFT WHERE APPLICABLE MUST REMAIN WITHIN DIMENSIONS	

DIMENSION STYLE	
IN/MM	
DRAWN BY	DATE
HCH	69/05/12
CHECKED BY	DATE
APPROVED BY	DATE
RN	69/05/12
MATERIAL NO.	DOCUMENT NO.
SEE CHART	SD-38002-039
SIZE B	THIS DRAWING CONTAINS INFORMATION THAT IS PROPRIETARY TO MOLEX INCORPORATED AND SHOULD NOT BE USED WITHOUT WRITTEN PERMISSION

SCALE 3:1	DESIGN UNITS INCH	THIRD ANGLE PROJECTION
TITLE		
TERMINAL, FAST TAB VRVR, 1812		
MOLEX INCORPORATED		
DOCUMENT NO.		SHEET NO.
SD-38002-039		1 OF 1

9 8 7 6 5 4 3 2 1