



Chipsmall Limited consists of a professional team with an average of over 10 year of expertise in the distribution of electronic components. Based in Hongkong, we have already established firm and mutual-benefit business relationships with customers from,Europe,America and south Asia,supplying obsolete and hard-to-find components to meet their specific needs.

With the principle of “Quality Parts,Customers Priority,Honest Operation,and Considerate Service”,our business mainly focus on the distribution of electronic components. Line cards we deal with include Microchip,ALPS,ROHM,Xilinx,Pulse,ON,Everlight and Freescale. Main products comprise IC,Modules,Potentiometer,IC Socket,Relay,Connector.Our parts cover such applications as commercial,industrial, and automotives areas.

We are looking forward to setting up business relationship with you and hope to provide you with the best service and solution. Let us make a better world for our industry!



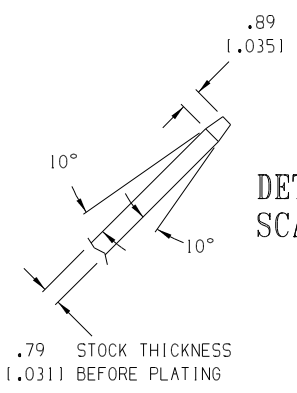
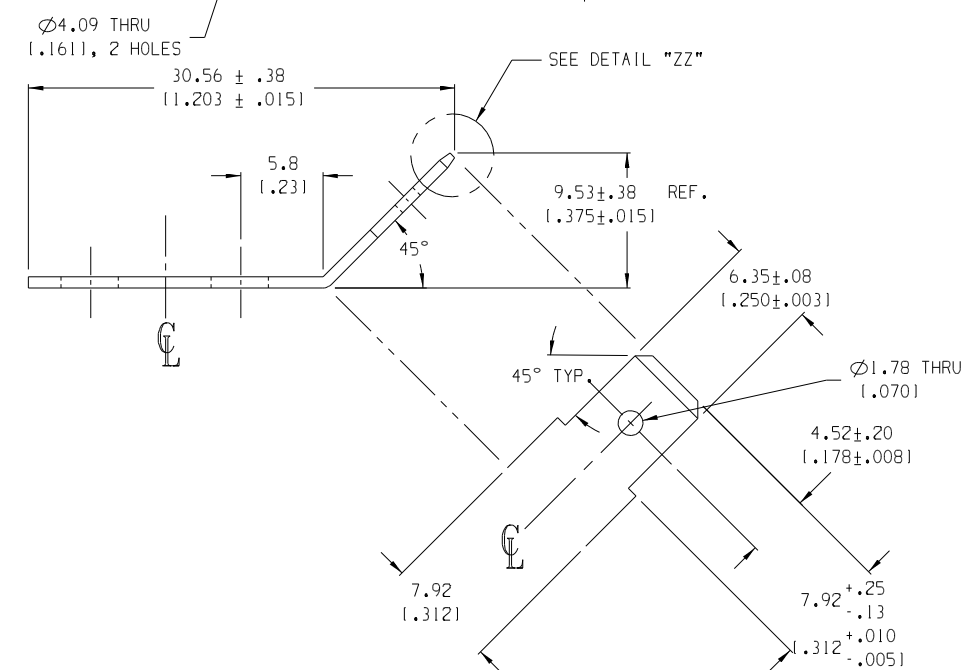
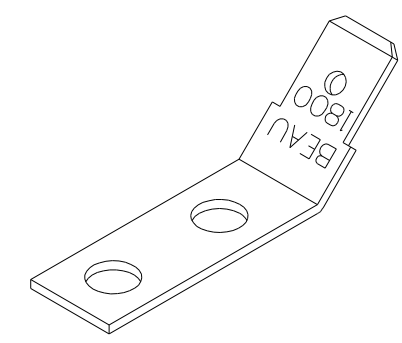
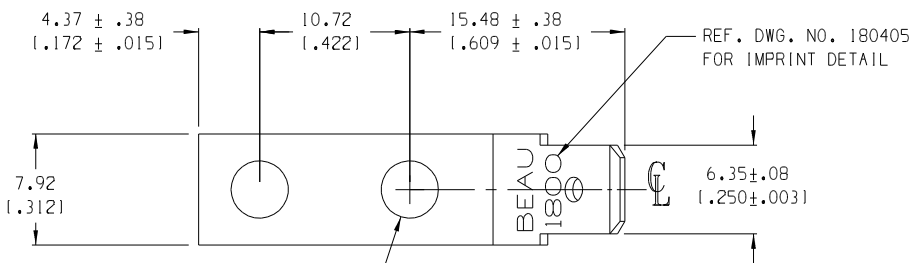
Contact us

Tel: +86-755-8981 8866 Fax: +86-755-8427 6832

Email & Skype: info@chipsmall.com Web: www.chipsmall.com

Address: A1208, Overseas Decoration Building, #122 Zhenhua RD., Futian, Shenzhen, China





DETAIL "ZZ"
SCALE 5:1

- NOTES:
1. MATERIAL: SEE TABLE
 2. FINISHES: SEE TABLE
 3. PRODUCT SPECIFICATION: NOT REQUIRED
 4. PACKAGING: NOT REQUIRED
 5. MATES WITH: NONE
 6. INCH DIMS ARE SHOWN IN PARENTHESIS (XXX)

380020274	70/30 BRASS, HALF HARD	TIN PLATED
MATERIAL NO.	DESCRIPTION	FINISH

EC NO. RELEASED DRWING: RK CH'K: APPR:	DESCRIPTION MAJOR : CRITICAL : SPC : S :	GENERAL TOLERANCES: (UNLESS SPECIFIED) mm INCH		SCALE: 3:1	DESIGN UNITS: <input type="checkbox"/> mm <input checked="" type="checkbox"/> INCH	THIRD ANGLE PROJECTION	PROJECT NO.: - - DIMENSIONS: SHT REV <input checked="" type="checkbox"/> mm INCH <input type="checkbox"/> INCH mm <input type="checkbox"/> mm ONLY REVISE ON CAD ONLY
		4 PLACES ±.0015	DRAWN BY & DATE R. KEMP 8-15-05	TITLE: TERMINAL, FAST-TAB SL, OPTION -1814			
		3 PLACES ±.030 ±.005	CHECKED BY & DATE	MOLEX INCORPORATED			
		2 PLACES ±.13 ±.01	APPROVED BY & DATE	CAD FILENAME 180412	MATERIAL NO. SEE CHART	DRAWING NO. SD-38002-0274	SHEET NO. 1 OF 1
1 PLACE ±.3		ANGULAR: ±2°	THIS DRAWING CONTAINS INFORMATION THAT IS PROPRIETARY TO MOLEX INCORPORATED AND SHOULD NOT BE USED WITHOUT WRITTEN PERMISSION.			SIZE B	
DRAFT WHERE APPLICABLE MUST REMAIN WITHIN DIMENSIONS							

