



Chipsmall Limited consists of a professional team with an average of over 10 year of expertise in the distribution of electronic components. Based in Hongkong, we have already established firm and mutual-benefit business relationships with customers from,Europe,America and south Asia,supplying obsolete and hard-to-find components to meet their specific needs.

With the principle of “Quality Parts,Customers Priority,Honest Operation,and Considerate Service”,our business mainly focus on the distribution of electronic components. Line cards we deal with include Microchip,ALPS,ROHM,Xilinx,Pulse,ON,Everlight and Freescale. Main products comprise IC,Modules,Potentiometer,IC Socket,Relay,Connector.Our parts cover such applications as commercial,industrial, and automotives areas.

We are looking forward to setting up business relationship with you and hope to provide you with the best service and solution. Let us make a better world for our industry!



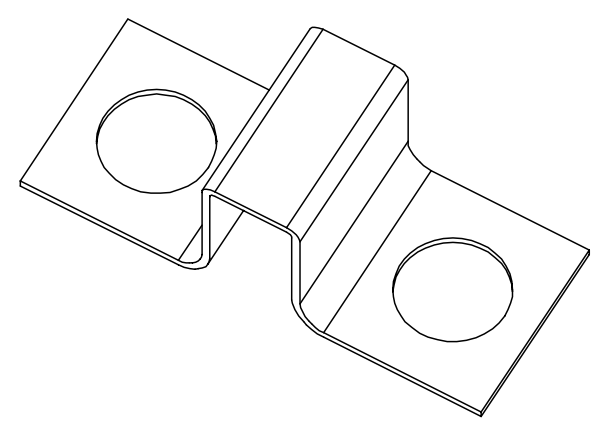
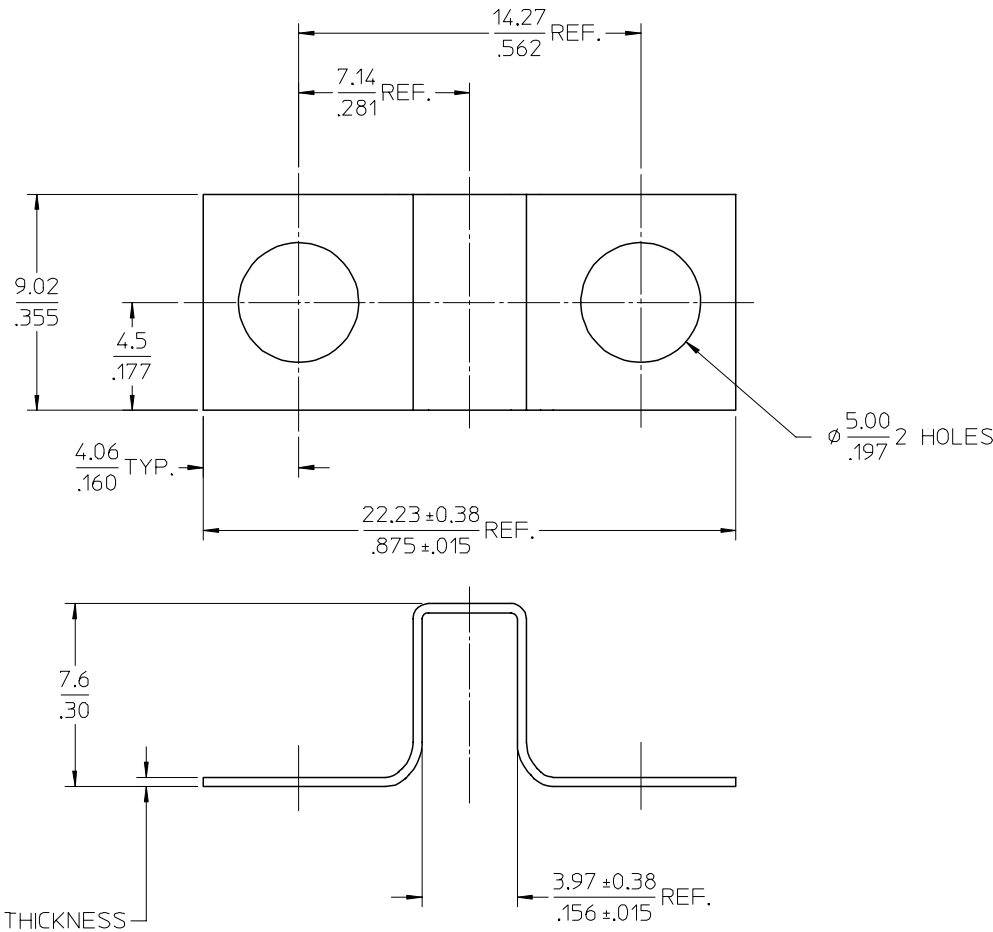
Contact us

Tel: +86-755-8981 8866 Fax: +86-755-8427 6832

Email & Skype: info@chipsmall.com Web: www.chipsmall.com

Address: A1208, Overseas Decoration Building, #122 Zhenhua RD., Futian, Shenzhen, China





NOTES:

1. MATERIAL: SEE TABLE
2. FINISHES: SEE TABLE
3. PRODUCT SPECIFICATION: NOT REQUIRED
4. PACKAGING: NOT REQUIRED
5. MATES WITH: 21, 22, AND 26 SERIES BTS

0.38
0.015 STOCK THICKNESS

38002-0358	JUMPER TERM, HOLE TYPE	BRASS	NICKEL PLATED
MATERIAL NO.	DESCRIPTION	MATERIAL	FINISH

EC NO: NEO2004-0562
 DRWN: CYORK 2004/03/17
 CHKD: RSTONE 2004/03/17
 APPR: GROBERT S2004/03/18

QUALITY SYMBOLS	DESCRIPTION
▽ = 0	
▽ = 0	

GENERAL TOLERANCES (UNLESS SPECIFIED)	
	mm INCH
4 PLACES	± --- ± .0015
3 PLACES	± 0.038 ± .005
2 PLACES	± 0.13 ± .01
1 PLACE	± 0.3 ± ---
ANGULAR ± 2 °	
DRAFT WHERE APPLICABLE	
MUST REMAIN WITHIN DIMENSIONS	

SCALE	DESIGN UNITS
5:1	INCH
DIMENSION STYLE	
MM/IN	
DRAWN BY	DATE
C. YORK	2004/03/17
CHECKED BY	DATE
R.STONE	2004/03/16
APPROVED BY	DATE
GHR	2004/03/17

THIRD ANGLE PROJECTION	REVISE ON CAD ONLY
TITLE	
JUMPER TERMINAL, HOLE TYPE	
MATERIAL NO.	
SEE CHART	
DOCUMENT NO.	SHEET NO.
SD-38002-037	1 OF 1
THIS DRAWING CONTAINS INFORMATION THAT IS PROPRIETARY TO MOLEX INCORPORATED AND SHOULD NOT BE USED WITHOUT WRITTEN PERMISSION	