



Chipsmall Limited consists of a professional team with an average of over 10 year of expertise in the distribution of electronic components. Based in Hongkong, we have already established firm and mutual-benefit business relationships with customers from,Europe,America and south Asia,supplying obsolete and hard-to-find components to meet their specific needs.

With the principle of “Quality Parts,Customers Priority,Honest Operation,and Considerate Service”,our business mainly focus on the distribution of electronic components. Line cards we deal with include Microchip,ALPS,ROHM,Xilinx,Pulse,ON,Everlight and Freescale. Main products comprise IC,Modules,Potentiometer,IC Socket,Relay,Connector.Our parts cover such applications as commercial,industrial, and automotives areas.

We are looking forward to setting up business relationship with you and hope to provide you with the best service and solution. Let us make a better world for our industry!



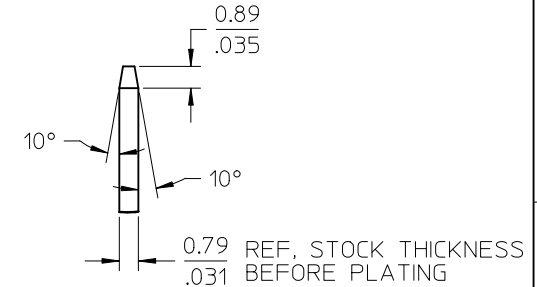
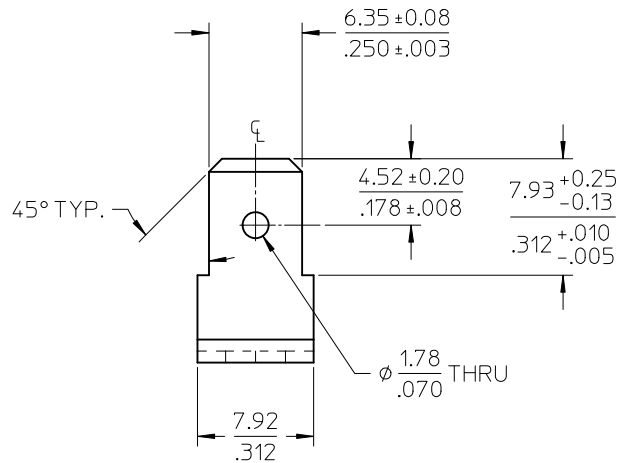
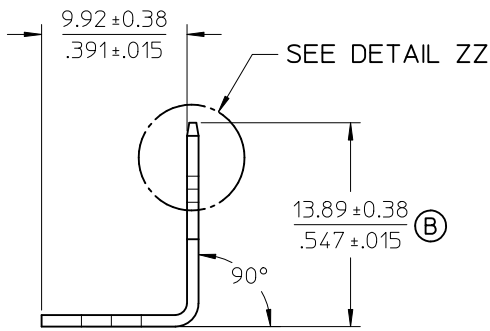
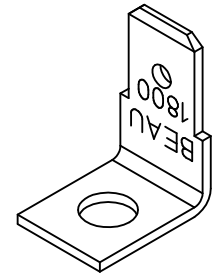
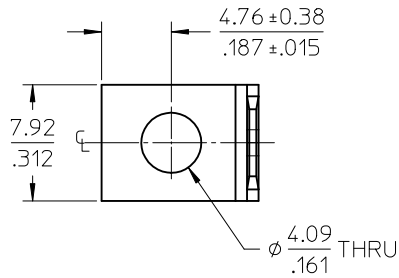
Contact us

Tel: +86-755-8981 8866 Fax: +86-755-8427 6832

Email & Skype: info@chipsmall.com Web: www.chipsmall.com

Address: A1208, Overseas Decoration Building, #122 Zhenhua RD., Futian, Shenzhen, China





DETAIL ZZ
SCALE 5:1

NOTES:

- 1. MATERIAL: BRASS
- 2. FINISH: TIN PLATED
- ③ 3. PART IS ROHS COMPLIANT.

REVISE HEIGHT DIM EC NO: WNA2011-0012 DRW:CLYORK 2010/07/08 CHKD:DTITUS 2010/07/08 APPR:DTITUS 2010/07/09	DESCRIPTION REV	QUALITY SYMBOLS	GENERAL TOLERANCES (UNLESS SPECIFIED)	DIMENSION STYLE	SCALE	DESIGN UNITS	THIRD ANGLE PROJECTION	
		▼=0 ∇=0	mm INCH 4 PLACES ± --- ± --- 3 PLACES ± --- ± .005 2 PLACES ± 0.13 ± .010 1 PLACE ± 0.25 ± ---	MM/IN	3:1	INCH	DRAWN BY DATE CLYORK 2010/07/08 CHECKED BY DATE DTITUS 2010/07/08 APPROVED BY DATE DTITUS 2010/07/08	
		ANGULAR ± 2 °		MATERIAL NO.		DOCUMENT NO.		TITLE TERMINAL, FAST TAB, VERT SINGLE HOLE, 6.35/.250 TAB WIDTH MOLEX INCORPORATED SD-38002-032
		DRAFT WHERE APPLICABLE MUST REMAIN WITHIN DIMENSIONS		380020406		SD-38002-032		