



Chipsmall Limited consists of a professional team with an average of over 10 year of expertise in the distribution of electronic components. Based in Hongkong, we have already established firm and mutual-benefit business relationships with customers from,Europe,America and south Asia,supplying obsolete and hard-to-find components to meet their specific needs.

With the principle of “Quality Parts,Customers Priority,Honest Operation,and Considerate Service”,our business mainly focus on the distribution of electronic components. Line cards we deal with include Microchip,ALPS,ROHM,Xilinx,Pulse,ON,Everlight and Freescale. Main products comprise IC,Modules,Potentiometer,IC Socket,Relay,Connector.Our parts cover such applications as commercial,industrial, and automotives areas.

We are looking forward to setting up business relationship with you and hope to provide you with the best service and solution. Let us make a better world for our industry!



Contact us

Tel: +86-755-8981 8866 Fax: +86-755-8427 6832

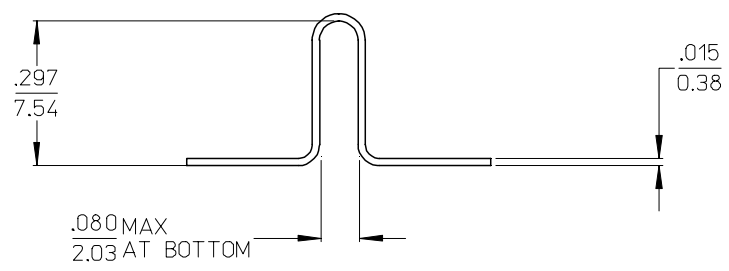
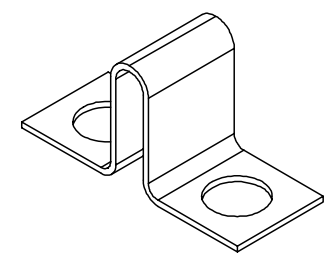
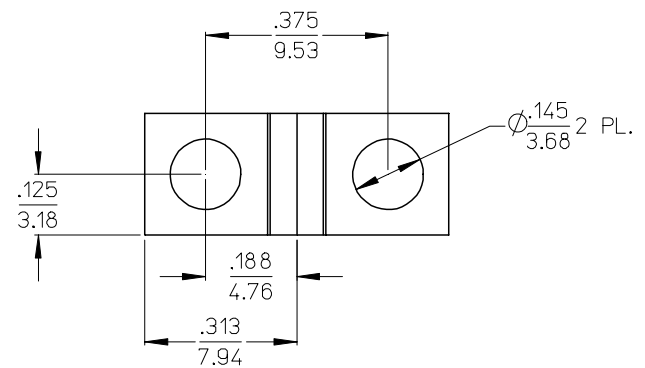
Email & Skype: info@chipsmall.com Web: www.chipsmall.com

Address: A1208, Overseas Decoration Building, #122 Zhenhua RD., Futian, Shenzhen, China



10 9 8 7 6 5 4 3 2 1

F
E
D
C
B
A



- NOTES:
1. MATERIAL: BRASS (.015/0.38 THICK)
 2. FINISH: SEE TABLE
 3. ALL DIMENSIONS ARE IN INCHES/MM

380021226	7231	BRASS	NICKEL PLATE
380021225	7204-1401-A110	BRASS	PLAIN (UNPLATED)
MATERIAL NO.	ENGINEERING NO.	MATERIAL	FINISH

ADD MATERIAL NO. EC NO: ETC2006-0270 DRWN: CYORK 2006/02/27 CHKD: RDEROSS 2006/02/27 APPR: RDEROSS 2006/02/28	QUALITY SYMBOLS ▽=0 ▽=0	GENERAL TOLERANCES (UNLESS SPECIFIED)		DIMENSION STYLE IN/MM		SCALE 4:1	DESIGN UNITS INCH	THIRD ANGLE PROJECTION		
			mm	INCH	DRAWN BY ASAYDEH	DATE 06/02/06	TITLE JUMPER TERMINAL HOLE TYPE			
		4 PLACES	± ---	±.0015	CHECKED BY JLOMASTRO	DATE 06/02/06	MOLEX INCORPORATED			
		3 PLACES	±0.038	±.005	APPROVED BY RDEROSS	DATE 06/02/06				
2 PLACES	±0.13	±.01	MATERIAL NO. SEE CHART		DOCUMENT NO. SD-38002-038		SHEET NO. 1 OF 1			
1 PLACE	±0.3	±.1	DRAFT WHERE APPLICABLE MUST REMAIN WITHIN DIMENSIONS							
ANGULAR ±1/2°		THIS DRAWING CONTAINS INFORMATION THAT IS PROPRIETARY TO MOLEX INCORPORATED AND SHOULD NOT BE USED WITHOUT WRITTEN PERMISSION								

9 8 7 6 5 4 3 2 1