



Chipsmall Limited consists of a professional team with an average of over 10 year of expertise in the distribution of electronic components. Based in Hongkong, we have already established firm and mutual-benefit business relationships with customers from,Europe,America and south Asia,supplying obsolete and hard-to-find components to meet their specific needs.

With the principle of “Quality Parts,Customers Priority,Honest Operation,and Considerate Service”,our business mainly focus on the distribution of electronic components. Line cards we deal with include Microchip,ALPS,ROHM,Xilinx,Pulse,ON,Everlight and Freescale. Main products comprise IC,Modules,Potentiometer,IC Socket,Relay,Connector.Our parts cover such applications as commercial,industrial, and automotives areas.

We are looking forward to setting up business relationship with you and hope to provide you with the best service and solution. Let us make a better world for our industry!



Contact us

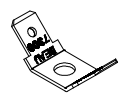
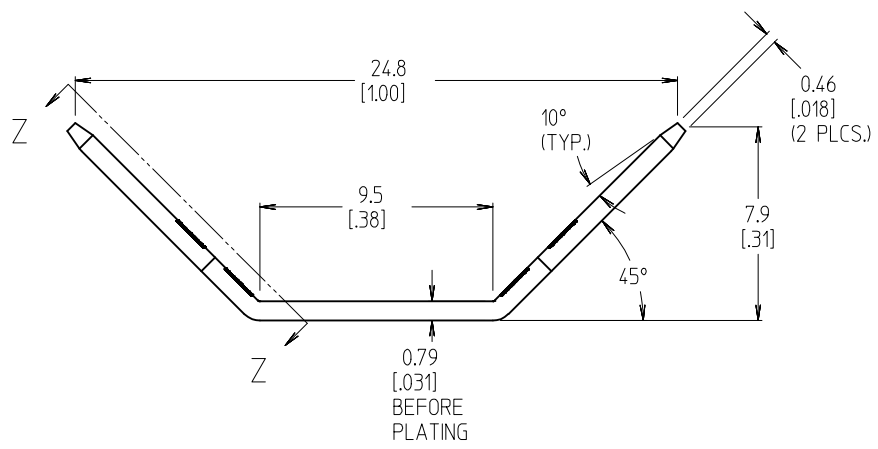
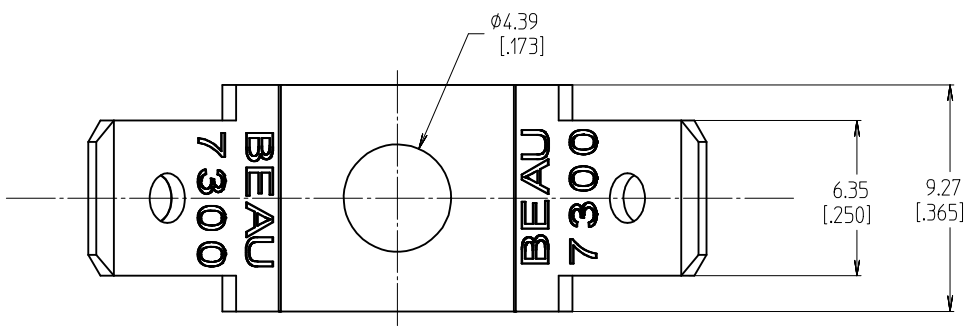
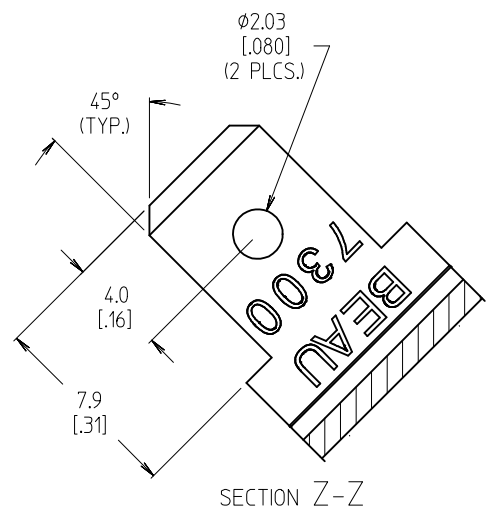
Tel: +86-755-8981 8866 Fax: +86-755-8427 6832

Email & Skype: info@chipsmall.com Web: www.chipsmall.com

Address: A1208, Overseas Decoration Building, #122 Zhenhua RD., Futian, Shenzhen, China



10 9 8 7 6 5 4 3 2 1



- NOTES:
1. MATERIAL: BRASS
 2. FINISH: TIN PLATE
 3. INCH DIMENSIONS SHOWN IN BRACKETS [XXX].
 4. PART IS ROHS COMPLIANT.

INITIAL RELEASE EC NO: WNAZ009-0043 DRW:CLYORK 2008/09/22 CHKD:RDEROSS 2008/09/22 APPR:RDEROSS 2008/09/23	QUALITY SYMBOLS	GENERAL TOLERANCES (UNLESS SPECIFIED) mm INCH 4 PLACES ± --- ± .0015 3 PLACES ± 0.038 ± .005 2 PLACES ± 0.13 ± .01 1 PLACE ± 0.3 ± --- ANGULAR ± 2 °	DIMENSION STYLE	SCALE	DESIGN UNITS	THIRD ANGLE PROJECTION TERMINAL, FT, SL SL, CATALOG# 7311 MOLEX INCORPORATED
	▼=0 ▽=0		MM/IN	1:1	INCH	
			DRAWN BY DATE	TITLE		
			C. YORK 2006/03/29	TERMINAL, FT, SL SL, CATALOG# 7311		
		DRAFT WHERE APPLICABLE MUST REMAIN WITHIN DIMENSIONS	CHECKED BY DATE			
			R. DEROSS 2006/03/29			
			APPROVED BY DATE			
			R. DEROSS 2006/03/29			
			MATERIAL NO.	DOCUMENT NO.		
			380021335	SD-38002-044		
			SIZE B	THIS DRAWING CONTAINS INFORMATION THAT IS PROPRIETARY TO MOLEX INCORPORATED AND SHOULD NOT BE USED WITHOUT WRITTEN PERMISSION		
						SHEET NO. 1 OF 1

9 8 7 6 5 4 3 2 1