



Chipsmall Limited consists of a professional team with an average of over 10 year of expertise in the distribution of electronic components. Based in Hongkong, we have already established firm and mutual-benefit business relationships with customers from,Europe,America and south Asia,supplying obsolete and hard-to-find components to meet their specific needs.

With the principle of “Quality Parts,Customers Priority,Honest Operation,and Considerate Service”,our business mainly focus on the distribution of electronic components. Line cards we deal with include Microchip,ALPS,ROHM,Xilinx,Pulse,ON,Everlight and Freescale. Main products comprise IC,Modules,Potentiometer,IC Socket,Relay,Connector.Our parts cover such applications as commercial,industrial, and automotives areas.

We are looking forward to setting up business relationship with you and hope to provide you with the best service and solution. Let us make a better world for our industry!



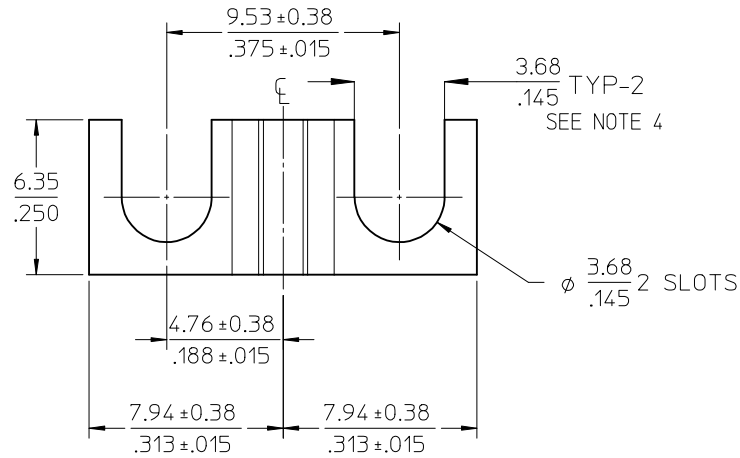
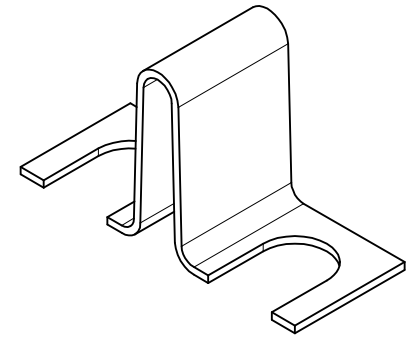
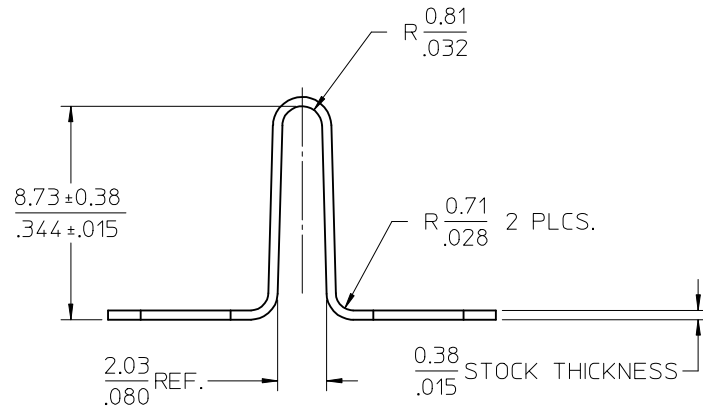
Contact us

Tel: +86-755-8981 8866 Fax: +86-755-8427 6832

Email & Skype: info@chipsmall.com Web: www.chipsmall.com

Address: A1208, Overseas Decoration Building, #122 Zhenhua RD., Futian, Shenzhen, China





NOTES:

1. MATERIAL: BRASS
2. FINISH: NICKEL PLATE
3. PART IS ROHS COMPLIANT
4. 3.68 TYP-2 IS A NOTCH, MISMATCH FROM PILOT HOLE IS ALLOWABLE

INITIAL RELEASE EC NO: WNA2009-0537 DRWN: JENC INAS 2009/04/22 CHKD: CYORK 2009/05/11 APPR: JMACNEIL 2009/05/12	DESCRIPTION A	QUALITY SYMBOLS ▽=0 ▽=0	GENERAL TOLERANCES (UNLESS SPECIFIED) mm INCH 4 PLACES ± --- ± --- 3 PLACES ± --- ± .005 2 PLACES ± 0.13 ± .01 1 PLACE ± 0.3 ± --- ANGULAR ± 2 °	DIMENSION STYLE MM/IN DRAWN BY DATE D.R. 1980/05/30 CHECKED BY DATE R.N. 1980/05/30 APPROVED BY DATE R.N. 1980/05/30	SCALE 5:1 DESIGN UNITS INCH THIRD ANGLE PROJECTION	TITLE JUMPER, TERMINAL SLOTTED TYPE (CAT# 7632)	
		DRAFT WHERE APPLICABLE MUST REMAIN WITHIN DIMENSIONS			MATERIAL NO. 380021461	DOCUMENT NO. SD-38002-068	SHEET NO. 1 OF 1
		MOLEX INCORPORATED					
		THIS DRAWING CONTAINS INFORMATION THAT IS PROPRIETARY TO MOLEX INCORPORATED AND SHOULD NOT BE USED WITHOUT WRITTEN PERMISSION					