



Chipsmall Limited consists of a professional team with an average of over 10 year of expertise in the distribution of electronic components. Based in Hongkong, we have already established firm and mutual-benefit business relationships with customers from,Europe,America and south Asia,supplying obsolete and hard-to-find components to meet their specific needs.

With the principle of “Quality Parts,Customers Priority,Honest Operation,and Considerate Service”,our business mainly focus on the distribution of electronic components. Line cards we deal with include Microchip,ALPS,ROHM,Xilinx,Pulse,ON,Everlight and Freescale. Main products comprise IC,Modules,Potentiometer,IC Socket,Relay,Connector.Our parts cover such applications as commercial,industrial, and automotives areas.

We are looking forward to setting up business relationship with you and hope to provide you with the best service and solution. Let us make a better world for our industry!



Contact us

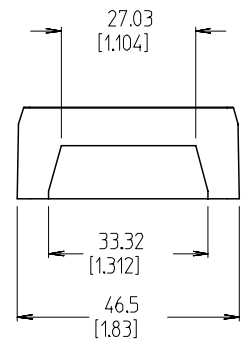
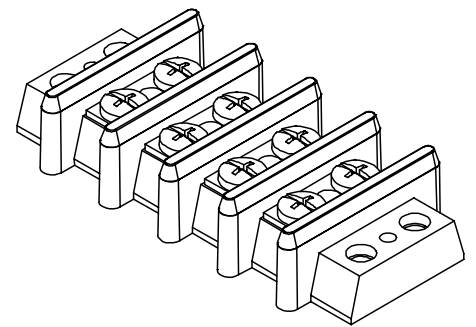
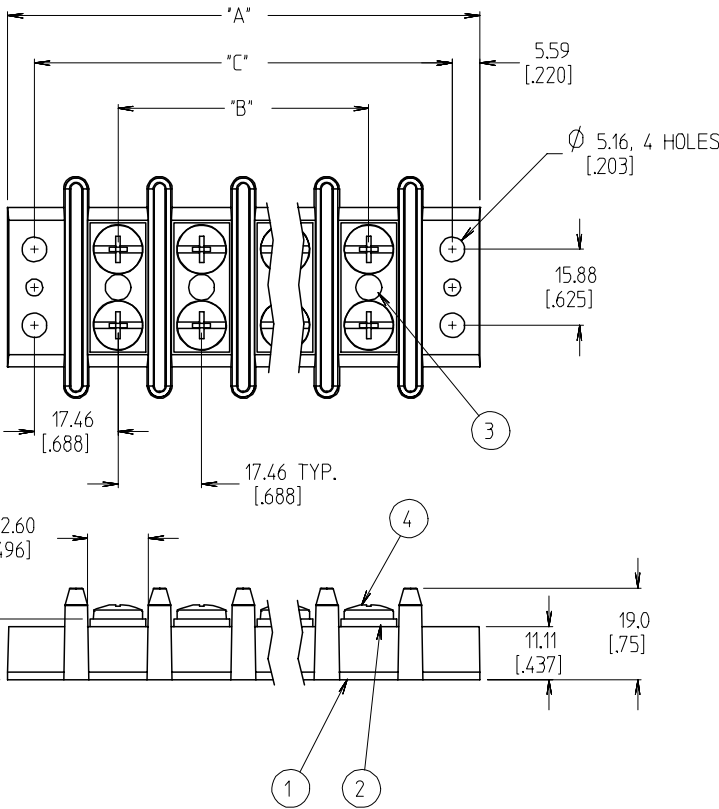
Tel: +86-755-8981 8866 Fax: +86-755-8427 6832

Email & Skype: info@chipsmall.com Web: www.chipsmall.com

Address: A1208, Overseas Decoration Building, #122 Zhenhua RD., Futian, Shenzhen, China



QTY. OF CIRC. "XX"	DIM. "A"	DIM. "B"	DIM. "C"	ASSEMBLY MATERIAL # (STANDARD)	ASSEMBLY MATERIAL # (-58 OPTION)
02	63.6 [2.50]	17.46 [.688]	52.39 [2.063]	38280-0102	38280-0402
03	81.0 [3.19]	34.93 [1.375]	69.85 [2.750]	38280-0103	38280-0403
04	98.5 [3.88]	52.39 [2.063]	87.31 [3.438]	38280-0104	38280-0404
05	116.0 [4.57]	69.85 [2.750]	104.78 [4.125]	38280-0105	38280-0405
06	133.4 [5.25]	87.31 [3.438]	122.24 [4.813]	38280-0106	38280-0406
07	150.9 [5.94]	104.78 [4.125]	139.70 [5.500]	38280-0107	38280-0407
08	168.3 [6.63]	122.24 [4.813]	157.16 [6.188]	38280-0108	38280-0408
09	185.8 [7.32]	139.70 [5.500]	174.63 [6.875]	38280-0109	38280-0409
10	203.3 [8.00]	157.16 [6.188]	192.09 [7.563]	38280-0110	38280-0410
11	220.7 [8.69]	174.63 [6.875]	209.55 [8.250]	38280-0111	38280-0411
12	238.2 [9.38]	192.09 [7.563]	227.01 [8.938]	38280-0112	38280-0412



- NOTES:
1. MATERIAL: SEE TABLE
 2. FINISHES: SEE TABLE
 3. PRODUCT SPECIFICATION: NOT REQUIRED
 4. PACKAGING: NOT REQUIRED
 5. MATES WITH: NONE
 6. "XX" REFERS TO THE QUANTITY OF CIRCUITS.
 7. -58 OPTION: DO NOT SUPPLY SCREWS.
 8. INCH DIMENSIONS ARE SHOWN IN BRACKETS [LXXX].
 9. ALL COMPONENTS ARE ROHS COMPLIANT.

ITEM	QTY	DESCRIPTION	MATERIAL	FINISH
4	XX*2	SCREW, #10-32, DOG PNT. PHIL-SLOT	BRASS	NICKEL
3	XX	RIVET, SEMI-TUBE	BRASS	ZN, CLEAR CHROMATE
2	XX	TERMINAL, EYELET, TWIN	BRASS	BRIGHT NICKEL
1	1	INSULATOR, DR. AS MOLDED	PHENOLIC	BLACK

ADDED -58 OPTION
 EC NO: ETC2006-0510
 2006/06/22
 DRW:NEHLE
 2006/07/13
 CHK:DRROSS
 APPR:JMACNEIL
 2006/07/13

QUALITY SYMBOLS
 ▽=0
 ▽=0

DESCRIPTION
 REV

GENERAL TOLERANCES (UNLESS SPECIFIED)	
mm	INCH
4 PLACES ± ---	±.0015
3 PLACES ± 0.038	±.005
2 PLACES ± 0.13	±.01
1 PLACE ± 0.3	± ---
ANGULAR ± 2 °	

DRAFT WHERE APPLICABLE
 MUST REMAIN WITHIN DIMENSIONS

DIMENSION STYLE	
MM/IN	SCALE
DRAWN BY: R. KEMP	DATE: 2003/05/09
CHECKED BY: R. STONE	DATE: 2003/05/12
APPROVED BY: P. WALTZ	DATE: 2003/05/13
MATERIAL NO. SEE CHART	DOCUMENT NO. SD-38280-001

SCALE 1:1
 DESIGN UNITS INCH
 THIRD ANGLE PROJECTION
 TITLE 17.46MM [.688] DR BTS, PHENOLIC ASSY
 MOLEX INCORPORATED
 SHEET NO. 1 OF 1
 THIS DRAWING CONTAINS INFORMATION THAT IS PROPRIETARY TO MOLEX INCORPORATED AND SHOULD NOT BE USED WITHOUT WRITTEN PERMISSION