



Chipsmall Limited consists of a professional team with an average of over 10 year of expertise in the distribution of electronic components. Based in Hongkong, we have already established firm and mutual-benefit business relationships with customers from,Europe,America and south Asia,supplying obsolete and hard-to-find components to meet their specific needs.

With the principle of “Quality Parts,Customers Priority,Honest Operation,and Considerate Service”,our business mainly focus on the distribution of electronic components. Line cards we deal with include Microchip,ALPS,ROHM,Xilinx,Pulse,ON,Everlight and Freescale. Main products comprise IC,Modules,Potentiometer,IC Socket,Relay,Connector.Our parts cover such applications as commercial,industrial, and automotives areas.

We are looking forward to setting up business relationship with you and hope to provide you with the best service and solution. Let us make a better world for our industry!



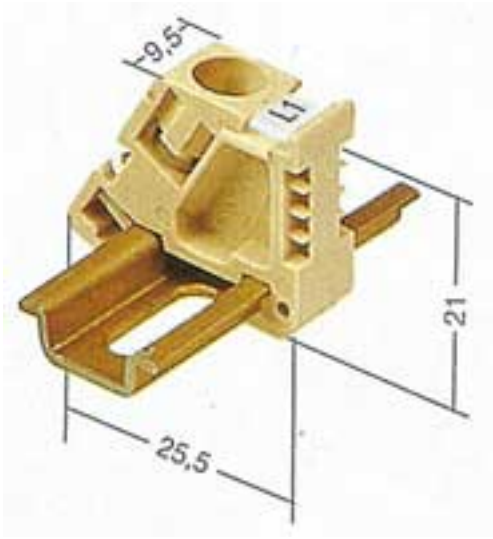
Contact us

Tel: +86-755-8981 8866 Fax: +86-755-8427 6832

Email & Skype: info@chipsmall.com Web: www.chipsmall.com

Address: A1208, Overseas Decoration Building, #122 Zhenhua RD., Futian, Shenzhen, China





General ordering data

Order No.	0382860000
Part designation	EW 15
Version	Modular terminal, accessories, Rail support
EAN	4008190187804
Qty.	50 pc(s).

Dimensions

Width	10 mm
Height of lowest version	21 mm
Length	26 mm
TS 15 offset	13 mm
TS 35 offset	32 mm

Approvals

Approvals institutes



Downloads

STEP	0382860000_04823_EW_15_STP.stp
------	--------------------------------

Classifications

eClass 4.1	27-08-10-03
eClass 5.0	27-08-10-03
eClass 5.1	27-08-10-03

Similar products

Order No.	Part designation	Version
1071900000	EW 15/2	Modular terminal, accessories, Rail support

0348660000	EWK AKA 2.5	Modular terminal, accessories, Rail support
7920340000	ZEW 15	Modular terminal, accessories, Rail support