



Chipsmall Limited consists of a professional team with an average of over 10 year of expertise in the distribution of electronic components. Based in Hongkong, we have already established firm and mutual-benefit business relationships with customers from,Europe,America and south Asia,supplying obsolete and hard-to-find components to meet their specific needs.

With the principle of “Quality Parts,Customers Priority,Honest Operation,and Considerate Service”,our business mainly focus on the distribution of electronic components. Line cards we deal with include Microchip,ALPS,ROHM,Xilinx,Pulse,ON,Everlight and Freescale. Main products comprise IC,Modules,Potentiometer,IC Socket,Relay,Connector.Our parts cover such applications as commercial,industrial, and automotives areas.

We are looking forward to setting up business relationship with you and hope to provide you with the best service and solution. Let us make a better world for our industry!



## Contact us

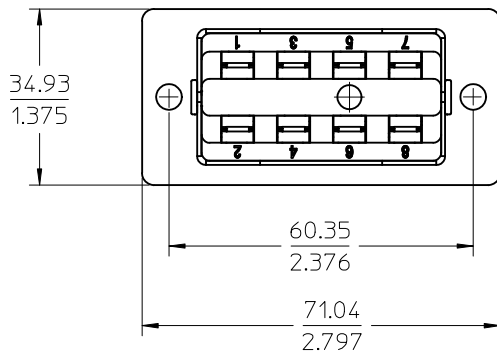
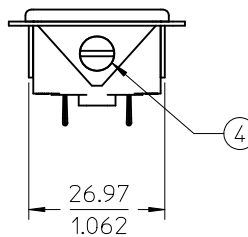
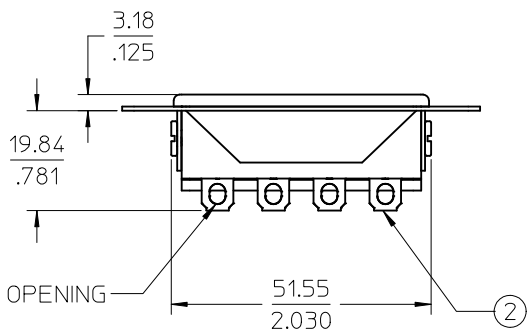
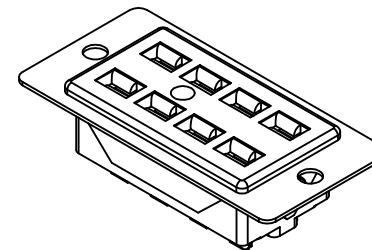
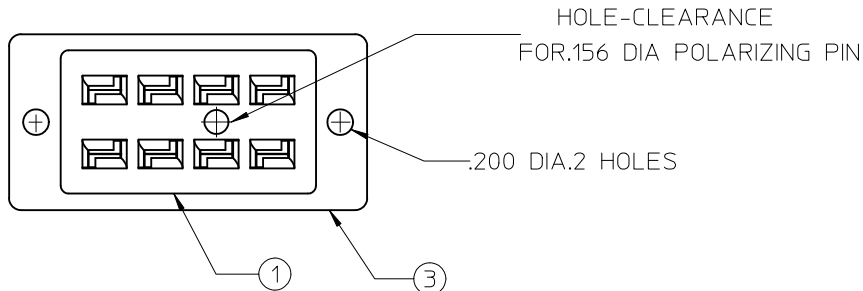
Tel: +86-755-8981 8866 Fax: +86-755-8427 6832

Email & Skype: info@chipsmall.com Web: www.chipsmall.com

Address: A1208, Overseas Decoration Building, #122 Zhenhua RD., Futian, Shenzhen, China



10 9 8 7 6 5 4 3 2 1



NOTES:  
1.ASSEMBLY IS ROHS COMPLAINT

ITEM	QTY	DESCRIPTION	MATERIAL	FINISH
4	2	SCREW #6-32X.312 PAN SLOT NI/STEEL	STEEL	NICKEL
3	1	BRACKET SHALLOW 5408 PAINT	STEEL	BLACK PAINT/ZINC
2	8	CONTACT S3 5400 SN/D	PHOS.BRONZE	TIN
1	1	BASE SOCKET 5408 MOGPP	PHENOLIC	BLACK

INITIAL RELEASE EC NO: WNA2010-0273 DRWNGES 2009/10/23 CHKD:CLYORK 2010/05/11 APPR:DTITUS 2010/07/12	DESCRIPTION REV A	QUALITY SYMBOLS ▽=0 ◻=0	GENERAL TOLERANCES (UNLESS SPECIFIED)	DIMENSION STYLE MM/IN	SCALE 1:1	DESIGN UNITS INCH	THIRD ANGLE PROJECTION																																
			<table border="1"> <tr> <th></th> <th>mm</th> <th>INCH</th> </tr> <tr> <td>4 PLACES</td> <td>± ---</td> <td>± ---</td> </tr> <tr> <td>3 PLACES</td> <td>± ---</td> <td>± .015</td> </tr> <tr> <td>2 PLACES</td> <td>± 0.38</td> <td>± ---</td> </tr> <tr> <td>1 PLACE</td> <td>± ---</td> <td>± ---</td> </tr> </table>		mm	INCH	4 PLACES	± ---	± ---	3 PLACES	± ---	± .015	2 PLACES	± 0.38	± ---	1 PLACE	± ---	± ---	<table border="1"> <tr> <th>DRAWN BY</th> <th>DATE</th> <th>TITLE</th> </tr> <tr> <td>CLYORK</td> <td>2009/10/22</td> <td rowspan="2">SOCKET S3, SB 5408 ASY</td> </tr> <tr> <th>CHECKED BY</th> <th>DATE</th> </tr> <tr> <td>CLYORK</td> <td>2010/05/11</td> <td></td> </tr> <tr> <th>APPROVED BY</th> <th>DATE</th> <td></td> </tr> <tr> <td>RDEROSS</td> <td>2009/10/22</td> <td></td> </tr> </table>	DRAWN BY	DATE	TITLE	CLYORK	2009/10/22	SOCKET S3, SB 5408 ASY	CHECKED BY	DATE	CLYORK	2010/05/11		APPROVED BY	DATE		RDEROSS	2009/10/22		MOLEX INCORPORATED DOCUMENT NO. SD-38542-008		SHEET NO. 1 OF 1
			mm	INCH																																			
		4 PLACES	± ---	± ---																																			
3 PLACES	± ---	± .015																																					
2 PLACES	± 0.38	± ---																																					
1 PLACE	± ---	± ---																																					
DRAWN BY	DATE	TITLE																																					
CLYORK	2009/10/22	SOCKET S3, SB 5408 ASY																																					
CHECKED BY	DATE																																						
CLYORK	2010/05/11																																						
APPROVED BY	DATE																																						
RDEROSS	2009/10/22																																						
DRAFT WHERE APPLICABLE MUST REMAIN WITHIN DIMENSIONS			SIZE A3	THIS DRAWING CONTAINS INFORMATION THAT IS PROPRIETARY TO MOLEX INCORPORATED AND SHOULD NOT BE USED WITHOUT WRITTEN PERMISSION																																			

9 8 7 6 5 4 3 2 1