



Chipsmall Limited consists of a professional team with an average of over 10 year of expertise in the distribution of electronic components. Based in Hongkong, we have already established firm and mutual-benefit business relationships with customers from,Europe,America and south Asia,supplying obsolete and hard-to-find components to meet their specific needs.

With the principle of “Quality Parts,Customers Priority,Honest Operation,and Considerate Service”,our business mainly focus on the distribution of electronic components. Line cards we deal with include Microchip,ALPS,ROHM,Xilinx,Pulse,ON,Everlight and Freescale. Main products comprise IC,Modules,Potentiometer,IC Socket,Relay,Connector.Our parts cover such applications as commercial,industrial, and automotives areas.

We are looking forward to setting up business relationship with you and hope to provide you with the best service and solution. Let us make a better world for our industry!



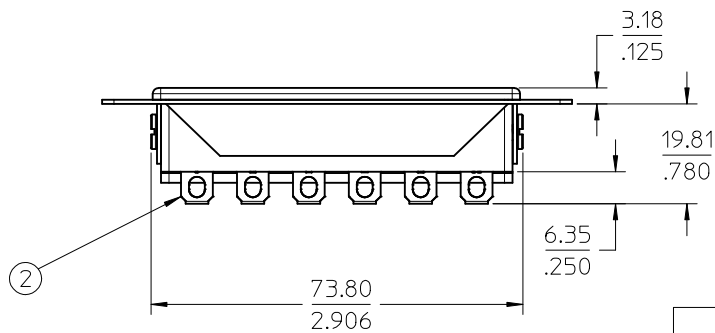
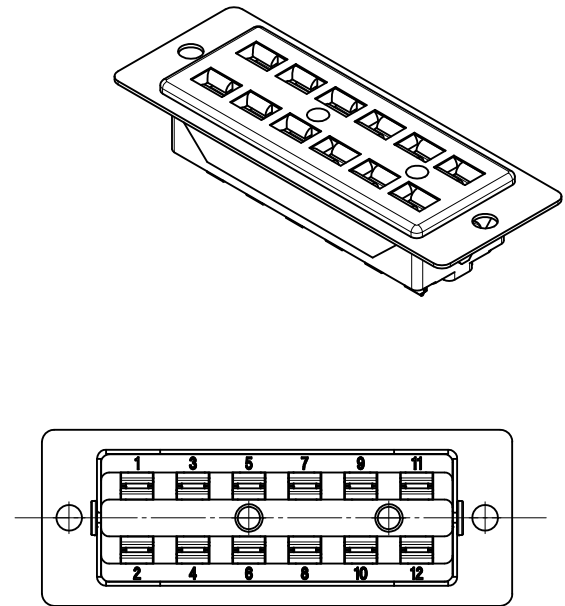
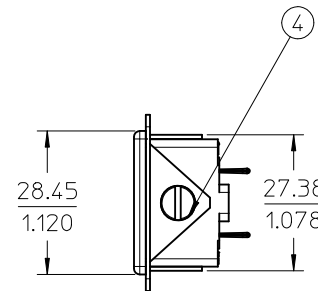
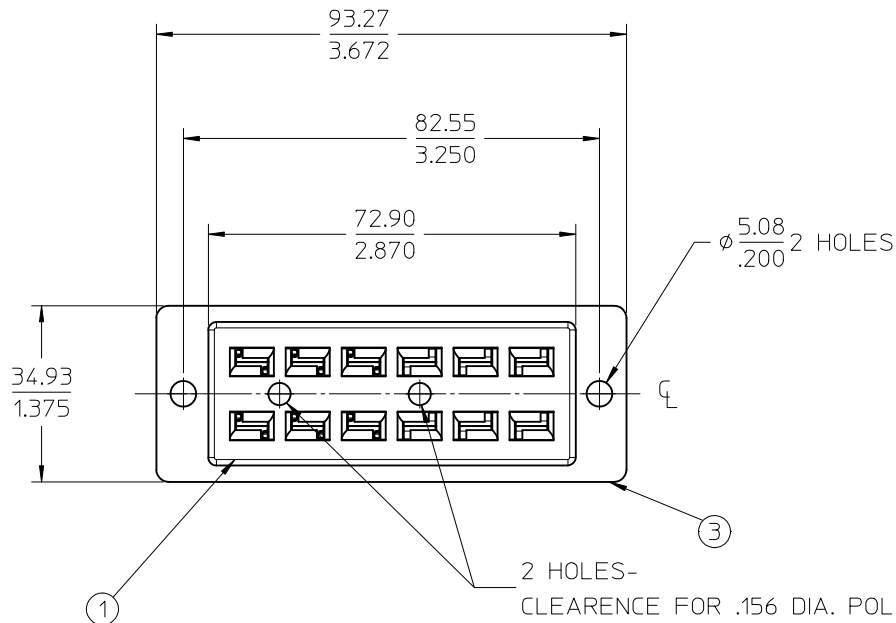
Contact us

Tel: +86-755-8981 8866 Fax: +86-755-8427 6832

Email & Skype: info@chipsmall.com Web: www.chipsmall.com

Address: A1208, Overseas Decoration Building, #122 Zhenhua RD., Futian, Shenzhen, China





4	2	SCREW #6-32X.312 PAN SLOTNI/STEEL	STEEL	NICKEL
3	1	BRACKT SHALOW 5412 PAINT	STEEL	BLACK PAINT/ZINC
2	12	CONTACT S3 5400 SN/D	PHOS,BRONZE	TIN
1	1	BASE SOCKET 5412 MOGPP	PHENOLIC	BLACK
ITEM	QTY	DESCRIPTION	MATERIAL	FINISH

INITIAL RELEASE	DESCRIPTION
EC NO: WNA2010-0319	
DRWNGES 2010/07/12	
CHKD:CLYORK 2010/05/13	
APPR:DTITUS 2010/07/12	
A	REV

QUALITY SYMBOLS	GENERAL TOLERANCES (UNLESS SPECIFIED)	DIMENSION STYLE	SCALE	DESIGN UNITS	THIRD ANGLE PROJECTION
		MM/IN	1:1	INCH	
▽=0	4 PLACES ± --- ± ---	DRAWN BY	DATE	TITLE	
∠=0	3 PLACES ± --- ± .015	GES	2010/02/12	SOCKET S3, SB 5412 ASY	
	2 PLACES ± 0.38 ± ---	CHECKED BY	DATE		
	1 PLACE ± --- ± ---	CLYORK	2010/05/13		
	ANGULAR ± 1/2°	APPROVED BY	DATE		
		DTITUS	2010/07/12		
	DRAFT WHERE APPLICABLE MUST REMAIN WITHIN DIMENSIONS	MATERIAL NO.	385421412	DOCUMENT NO.	SD-38542-013
		SIZE	A3	THIS DRAWING CONTAINS INFORMATION THAT IS PROPRIETARY TO MOLEX INCORPORATED AND SHOULD NOT BE USED WITHOUT WRITTEN PERMISSION	

NOTES:
1. ASSEMBLY IS ROHS COMPLIANT.