



Chipsmall Limited consists of a professional team with an average of over 10 year of expertise in the distribution of electronic components. Based in Hongkong, we have already established firm and mutual-benefit business relationships with customers from,Europe,America and south Asia,supplying obsolete and hard-to-find components to meet their specific needs.

With the principle of "Quality Parts,Customers Priority,Honest Operation,and Considerate Service",our business mainly focus on the distribution of electronic components. Line cards we deal with include Microchip,ALPS,ROHM,Xilinx,Pulse,ON,Everlight and Freescale. Main products comprise IC,Modules,Potentiometer,IC Socket,Relay,Connector.Our parts cover such applications as commercial,industrial, and automotives areas.

We are looking forward to setting up business relationship with you and hope to provide you with the best service and solution. Let us make a better world for our industry!



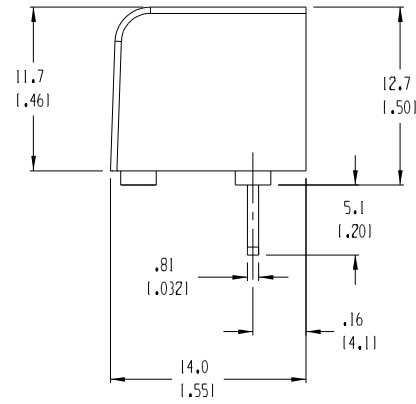
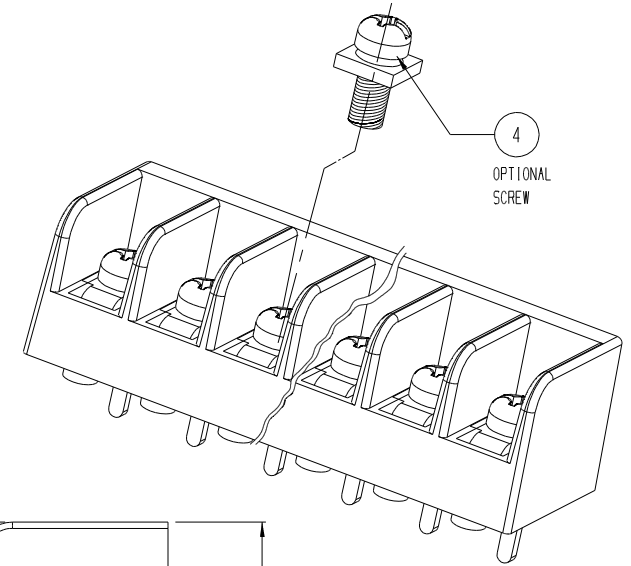
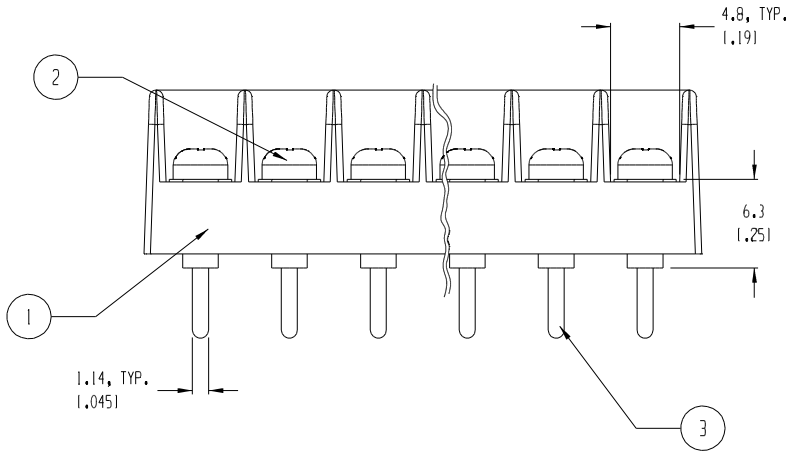
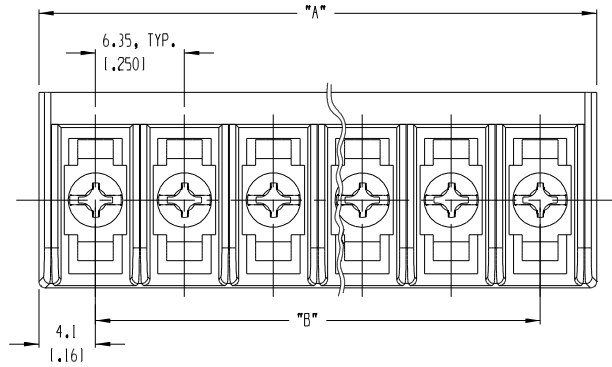
## Contact us

Tel: +86-755-8981 8866 Fax: +86-755-8427 6832

Email & Skype: info@chipsmall.com Web: www.chipsmall.com

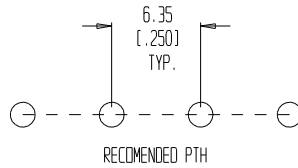
Address: A1208, Overseas Decoration Building, #122 Zhenhua RD., Futian, Shenzhen, China





NOTES:

1. MATERIAL: SEE TABLE
2. FINISHES: SEE TABLE
3. PRODUCT SPECIFICATION: NOT REQUIRED
4. PACKAGING: NOT REQUIRED
5. MATES WITH: NONE
6. "XX" REFERS TO THE NUMBER OF CIRCUITS.



ITEM	QTY.	DESCRIPTION	MATERIAL	FINISH
4	XX	#3-48 SCREW W/WASHER	STEEL	Zn CLEAR CHROMATE
3	XX	TERMINAL	BRASS	TIN
2	XX	#3-48 SCREW	BRASS	NICKEL
1	1	SR BTS	THERMOPLASTIC	BLACK

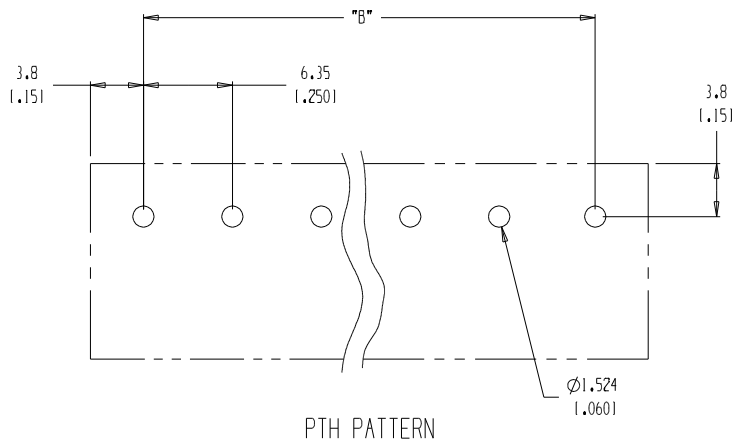
EC NO. ECN 3836  
 DRWN: JF 10-27-04  
 CHK: [ ]  
 APPR: [ ]

DESCRIPTION  
 MAJOR [ ]  
 CRITICAL [ ]  
 SPC [ ]  
 S [ ]

GENERAL TOLERANCES: (UNLESS SPECIFIED)	
mm	INCH
4 PLACES	±.0015
3 PLACES	±.0038 ±.005
2 PLACES	±.13 ±.01
1 PLACE	±.3
ANGULAR: ±2°	

SCALE: 3:1  
 DESIGN UNITS:  mm  INCH  
 DRAWN BY & DATE: W. HOWARD 10-7-03  
 CHECKED BY & DATE: R. KEMP 10-9-03  
 APPROVED BY & DATE: P. WALTZ 10-10-03  
 CAD FILENAME: 605XX-C

PROJECT NO.	SHT	REV
DIMENSIONS:	REVISE ON CAD ONLY	
<input checked="" type="checkbox"/> mm <input type="checkbox"/> INCH	<input type="checkbox"/> mm <input type="checkbox"/> ONLY	
TITLE: SR BTS, ASSY		
MOLEX INCORPORATED		
MATERIAL NO. SEE CHART	DRAWING NO. SD-38600-001	SHEET NO. 1 OF 2
THIS DRAWING CONTAINS INFORMATION THAT IS PROPRIETARY TO MOLEX INCORPORATED AND SHOULD NOT BE USED WITHOUT WRITTEN PERMISSION.		SIZE B



△

NUMBER OF CIRCUITS "XX"	DIM. "A"	DIM. "B"	MATERIAL NO. (OPT -C, -50)	MATERIAL NO. (OPT -C)	MATERIAL NO. (INSULATOR)
02	14.48 (1.570)	6.35 (1.250)	38600-7802	38600-6602	38608-2735
03	20.83 (1.820)	12.70 (1.500)	38600-7803	38600-6603	38608-2736
04	27.18 (1.070)	19.05 (1.750)	38600-7804	38600-6604	38608-2737
05	33.53 (1.320)	25.40 (1.000)	38600-7805	38600-6605	38608-2738
06	39.88 (1.570)	31.75 (1.250)	38600-7806	38600-6606	38608-2739
07	46.23 (1.820)	38.10 (1.500)	38600-7807	38600-6607	38608-2740
08	52.58 (2.070)	44.45 (1.750)	38600-7808	38600-6608	38608-2741
09	58.93 (2.320)	50.80 (2.000)	38600-7809	38600-6609	38608-2742
10	65.28 (2.570)	57.15 (2.250)	38600-7810	38600-6610	38608-2743
11	71.63 (2.820)	63.50 (2.500)	38600-7811	38600-6611	38608-2744
12	77.98 (3.070)	69.85 (2.750)	38600-7812	38600-6612	38608-2745
13	84.33 (3.320)	76.20 (3.000)	38600-7813	38600-6613	38608-2746
14	90.68 (3.570)	82.55 (3.250)	38600-7814	38600-6614	38608-2747
15	97.03 (3.820)	88.90 (3.500)	38600-7815	38600-6615	38608-2748
16	103.38 (4.070)	95.25 (3.750)	38600-7816	38600-6616	38608-2749
17	109.73 (4.320)	101.60 (4.000)	38600-7817	38600-6617	38608-2750
18	116.08 (4.570)	107.95 (4.250)	38600-7818	38600-6619	38608-2751
19	122.43 (4.820)	114.30 (4.500)	38600-7819	38600-6619	38608-2752
20	128.78 (5.070)	120.65 (4.750)	38600-7820	38600-6620	38608-2753
21	135.13 (5.320)	127.00 (5.000)	38600-7821	38600-6621	38608-2754
22	141.48 (5.570)	133.35 (5.250)	38600-7822	38600-6622	38608-2755
23	147.83 (5.820)	139.70 (5.500)	38600-7823	38600-6623	38608-2756
24	154.18 (6.070)	146.05 (5.750)	38600-7824	38600-6624	38608-2757
25	160.53 (6.320)	152.40 (6.000)	38600-7825	38600-6625	38608-2758
26	166.88 (6.570)	158.75 (6.250)	38600-7826	38600-6626	38608-2759
27	173.23 (6.820)	165.10 (6.500)	38600-7827	38600-6627	38608-2760
28	179.58 (7.070)	171.45 (6.750)	38600-7828	38600-6628	38608-2761
29	185.93 (7.320)	177.80 (7.000)	38600-7829	38600-6629	38608-2762
30	192.28 (7.570)	184.15 (7.250)	38600-7830	38600-6630	38608-2763
31	198.63 (7.820)	190.50 (7.500)	38600-7831	38600-6631	38608-2764
32	204.98 (8.070)	196.85 (7.750)	38600-7832	38600-6632	38608-2765

EC NO. SEE SHEET DRAWN: ONE CH: K1 APPR:	QUALITY SYMBOLS MAJOR CRITICAL SPC	GENERAL TOLERANCES: (UNLESS SPECIFIED) mm INCH 4 PLACES ±.0015 3 PLACES ±.038 ±.005 2 PLACES ±.13 ±.01 1 PLACE ±.3 ANGULAR: ±2° DRAFT WHERE APPLICABLE MUST REMAIN WITHIN DIMENSIONS	SCALE 3:1 DESIGN UNITS <input type="checkbox"/> mm <input checked="" type="checkbox"/> INCH DRAWN BY & DATE W. HOWARD 10-7-03 CHECKED BY & DATE R. KEMP 10-9-03 APPROVED BY & DATE P. WALTZ 10-10-03	THIRD ANGLE PROJECTION <input checked="" type="checkbox"/> mm INCH <input type="checkbox"/> INCH mm ONLY	PROJECT NO.	DIMENSIONS:	SHT REV REVISE ON CAD ONLY
					TITLE: SR BTS, ASSY	MOLEX INCORPORATED	MATERIAL NO. SEE CHART

THIS DRAWING CONTAINS INFORMATION THAT IS PROPRIETARY TO MOLEX INCORPORATED AND SHOULD NOT BE USED WITHOUT WRITTEN PERMISSION.