



Chipsmall Limited consists of a professional team with an average of over 10 year of expertise in the distribution of electronic components. Based in Hongkong, we have already established firm and mutual-benefit business relationships with customers from,Europe,America and south Asia,supplying obsolete and hard-to-find components to meet their specific needs.

With the principle of “Quality Parts,Customers Priority,Honest Operation,and Considerate Service”,our business mainly focus on the distribution of electronic components. Line cards we deal with include Microchip,ALPS,ROHM,Xilinx,Pulse,ON,Everlight and Freescale. Main products comprise IC,Modules,Potentiometer,IC Socket,Relay,Connector.Our parts cover such applications as commercial,industrial, and automotives areas.

We are looking forward to setting up business relationship with you and hope to provide you with the best service and solution. Let us make a better world for our industry!



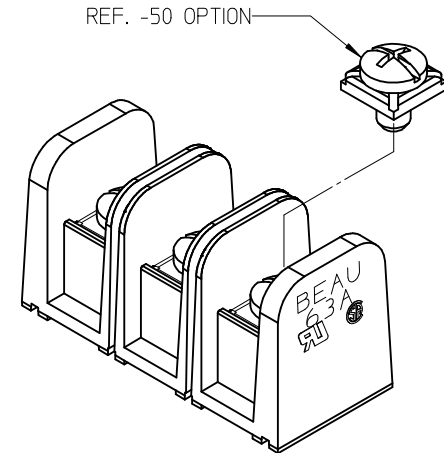
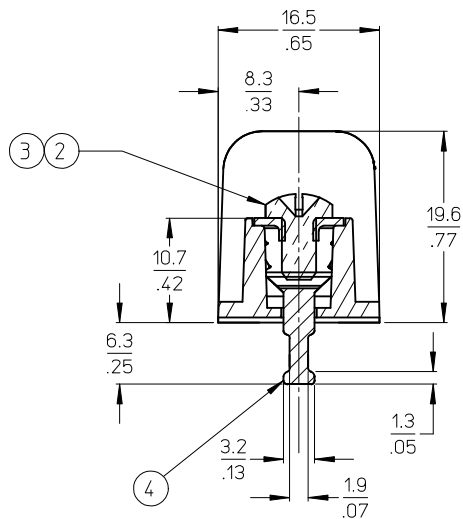
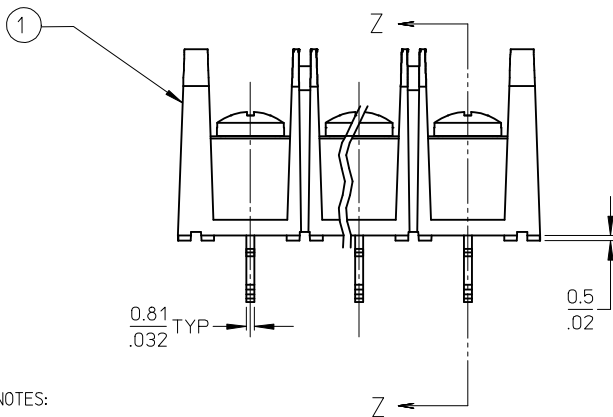
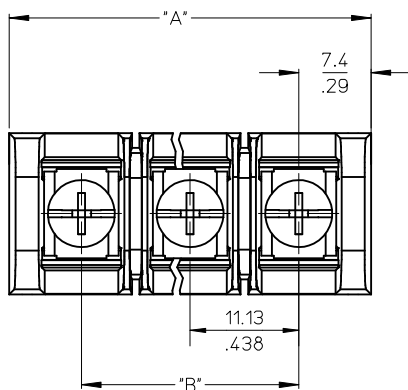
Contact us

Tel: +86-755-8981 8866 Fax: +86-755-8427 6832

Email & Skype: info@chipsmall.com Web: www.chipsmall.com

Address: A1208, Overseas Decoration Building, #122 Zhenhua RD., Futian, Shenzhen, China





MATERIAL NUMBER (STD.)	MATERIAL NUMBER (-50)	NO. OF CIRCUITS	A	B
386309602	386310802	2	25.9 (1.02)	11.13 (.438)
386309603	386310803	3	37.1 (1.46)	22.22 (.875)
386309604	386310804	4	48.3 (1.90)	33.35 (1.313)
386309605	386310805	5	59.2 (2.33)	44.45 (1.750)
386309606	386310806	6	70.4 (2.77)	55.57 (2.188)
386309607	386310807	7	81.5 (3.21)	66.67 (2.625)
386309608	386310808	8	92.7 (3.65)	77.80 (3.063)
386309409	386310809	9	103.6 (4.08)	88.90 (3.500)
386309610	386310810	10	114.8 (4.52)	100.03 (3.938)
386309611	386310811	11	125.9 (4.96)	111.13 (4.375)
386309612	386310812	12	137.2 (5.40)	122.25 (4.813)
386309613	386310813	13	148.1 (5.83)	133.35 (5.250)
386309614	386310814	14	159.3 (6.27)	144.45 (5.687)
386309615	386310815	15	170.4 (6.71)	155.58 (6.125)
386309616	386310816	16	181.6 (7.15)	166.70 (6.563)

- NOTES:
1. MATERIAL: SEE TABLE
 2. FINISHES: SEE TABLE
 3. PRODUCT SPECIFICATION: NOT REQUIRED
 4. PACKAGING: NOT REQUIRED
 5. MATES WITH: NONE
 6. "XX" REFERS TO QTY. OF CIRCUITS
 7. ROHS COMPLIANT (B)

ITEM	QTY.	DESCRIPTION	MATERIAL	FINISH
4	XX	TERMINAL, SOLDER TAIL, SHORT	BRASS	TIN PLATE
3	XX	SCREW/WSHR #6-32X.250 PAN, PH-SL (-50)	STEEL (B)	ZN, CLEAR CHROMATE
2	XX	SCREW #6-32X.250 BHD, PH-SL (STD.)	STEEL (B)	ZN, CLEAR CHROMATE
1	1	BARRIER TERMINAL STRIP	(B) POLYESTER (PBT)	BLACK

UPDATE MAT. DESCRIP. EC NO: WNA2009-0085 DRAWN: ENC INAS 2008/11/25 CHKD: CYORK 2008/12/15 APPR: JMACNEIL 2008/12/15	QUALITY SYMBOLS ▽=0 ▽=0	GENERAL TOLERANCES (UNLESS SPECIFIED)		DIMENSION STYLE MM/IN	SCALE 2:1	DESIGN UNITS INCH	THIRD ANGLE PROJECTION
		4 PLACES ± --- ± --- 3 PLACES ± --- ± .005 2 PLACES ± 0.13 ± .01 1 PLACE ± 0.3 ± --- ANGULAR ± 2°	DRAWN BY R. STONE	DATE 2003/03/26	TITLE 11.13/.438" BTS 600V SOLDER TAIL SHORT & NO MTG ENDS (63A6XX-C)		
B	DESCRIPTION REV	DRAFT WHERE APPLICABLE MUST REMAIN WITHIN DIMENSIONS		CHECKED BY R. KEMP	DATE 2003/03/27	MOLEX INCORPORATED	
		SEE CHART		APPROVED BY P. WALTZ	DATE 2003/03/28	MATERIAL NO. SD-38630-010	DOCUMENT NO.