



Chipsmall Limited consists of a professional team with an average of over 10 year of expertise in the distribution of electronic components. Based in Hongkong, we have already established firm and mutual-benefit business relationships with customers from,Europe,America and south Asia,supplying obsolete and hard-to-find components to meet their specific needs.

With the principle of “Quality Parts,Customers Priority,Honest Operation,and Considerate Service”,our business mainly focus on the distribution of electronic components. Line cards we deal with include Microchip,ALPS,ROHM,Xilinx,Pulse,ON,Everlight and Freescale. Main products comprise IC,Modules,Potentiometer,IC Socket,Relay,Connector.Our parts cover such applications as commercial,industrial, and automotives areas.

We are looking forward to setting up business relationship with you and hope to provide you with the best service and solution. Let us make a better world for our industry!



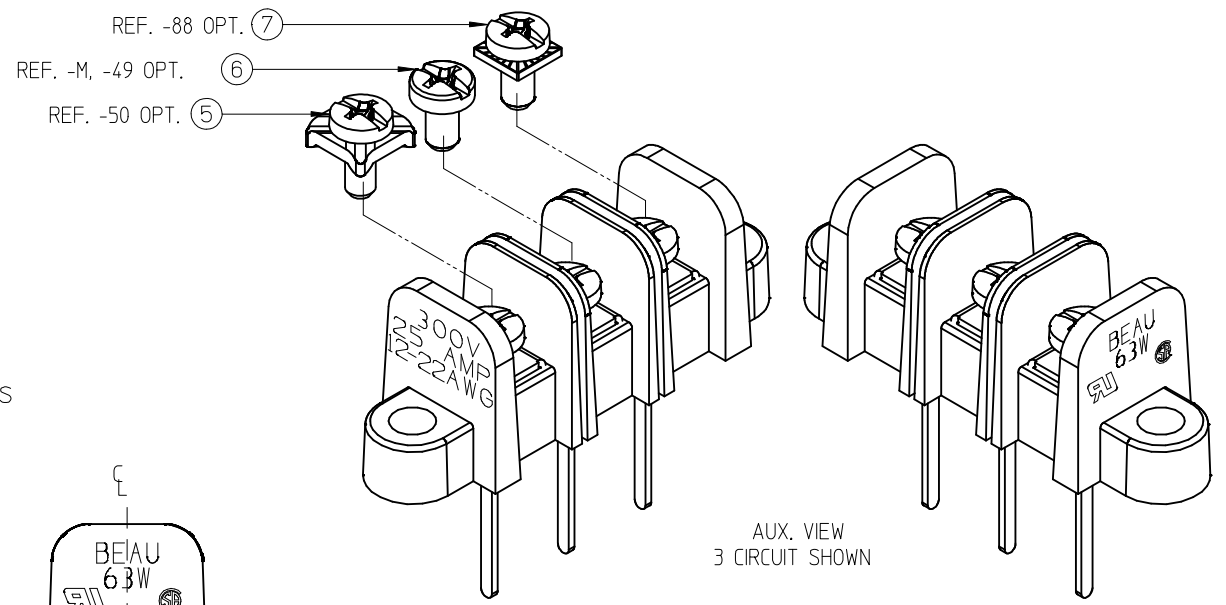
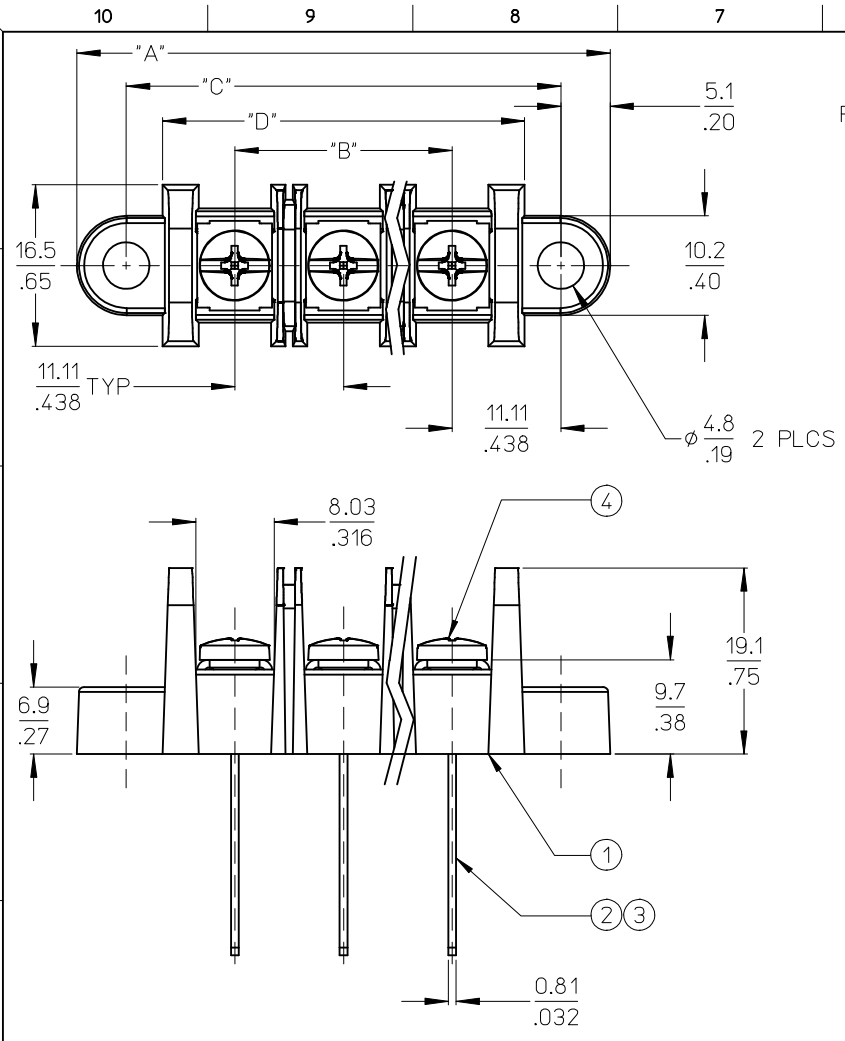
Contact us

Tel: +86-755-8981 8866 Fax: +86-755-8427 6832

Email & Skype: info@chipsmall.com Web: www.chipsmall.com

Address: A1208, Overseas Decoration Building, #122 Zhenhua RD., Futian, Shenzhen, China





- NOTES:
1. MATERIAL: SEE TABLE
 2. FINISHES: SEE TABLE
 3. "XX" REFERS TO THE QUANTITY OF CIRCUITS.
 4. SCREWS SUPPLIED UNASSEMBLED WITH -59 OPTION.
 5. ROHS COMPLIANT.

7	XX	SCREW, M3.5X0.6X.304, CHSHD, POSI-SL, SQ/WSHR (-88 OPT)	STEEL	ZINC CHROMATE
6	XX	SCREW, M3.5X0.6X6MM PAN HD, PHIL-SLOT (-M, -49 OPT)	BRASS	NICKEL PLATE
5	XX	SCREW, #6-32X.250 BHD, PHIL-SLOT, SQ. WASHER (-50 OPT)	STEEL	ZN, CLEAR CHROMATE
4	XX	SCREW, #6-32X.250 BHD, PHIL-SLOT (STD OPT)	STEEL	ZN, CLEAR CHROMATE
3	XX	TERMINAL, WW, EXTRA LONG, -M OPT, -88 OPT	BRASS	TIN PLATE
2	XX	TERMINAL, WW, EXTRA LONG	BRASS	TIN PLATE
1	1	INSULATOR, SR, PC, MOLDED MTG	POLYESTER (PBT)	BLACK
ITEM	QTY.	DESCRIPTION	MATERIAL	FINISH

REVISE & REDRAWN
 EC NO: IPG2014-1260
 DRAWN: JENC INAS 2013/08/28
 CHKD: JMACNEIL
 APPR: JMACNEIL 2014/03/10

QUALITY SYMBOLS
 ▽=0
 ▽=0

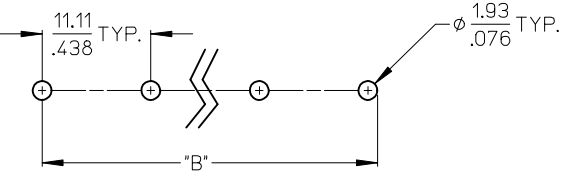
GENERAL TOLERANCES (UNLESS SPECIFIED)	
	mm
4 PLACES	± .005
3 PLACES	± .01
2 PLACES	± .013
1 PLACE	± .03
ANGULAR ± 2°	
DRAFT WHERE APPLICABLE MUST REMAIN WITHIN DIMENSIONS	

DIMENSION STYLE	
MM/IN	
DRAWN BY	DATE
R. KEMP	2005/08/17
CHECKED BY	DATE
GR	2005/08/17
APPROVED BY	DATE
JMACNEIL	2014/03/10
MATERIAL NO.	
SEE SHEET 2	

SCALE	2:1
DESIGN UNITS	INCH
THIRD ANGLE PROJECTION	
TITLE	
11.11/.438 SR BTS ASSY NO PADS, 81	
MOLEX INCORPORATED	
DOCUMENT NO.	SD-38639-006
SHEET NO.	1 OF 2
THIS DRAWING CONTAINS INFORMATION THAT IS PROPRIETARY TO MOLEX INCORPORATED AND SHOULD NOT BE USED WITHOUT WRITTEN PERMISSION	

NO. OF CIRCUITS "XX"	DIM. "A"		DIM. "B"		DIM. "C"		DIM. "D"		ASSEMBLY MATERIAL NO. (-W-81)	ASSEMBLY MATERIAL NO. (-W-50-81)	ASSEMBLY MATERIAL NO. (-W-81-88)	ASSEMBLY MATERIAL NO. (-W-81-50-59)	ASSEMBLY MATERIAL NO. (-M-W-49-81)
	mm	in	mm	in	mm	in	mm	in					
02	43.4	1.71	11.11	.438	33.34	1.313	25.9	1.02	386390021		386390054	386390016	386390003
03	54.5	2.15	22.23	.875	44.45	1.750	37.0	1.46	386390025	386390027		386390017	
04	65.7	2.59	33.34	1.313	55.56	2.188	48.1	1.90	386390031		386390055	386390018	386390004
05	76.8	3.02	44.45	1.750	66.68	2.625	59.2	2.33	386390033			386390019	
06	87.9	3.46	55.56	2.188	77.79	3.063	70.4	2.77	386390036			386390020	
07	99.0	3.90	66.68	2.625	88.90	3.500	81.5	3.21	386390010				
08	110.1	4.34	77.79	3.063	100.01	3.938	92.6	3.65	386390011			386390087	
09	121.2	4.77	88.90	3.500	111.13	4.375	103.7	4.08	386390012			386390125	
10	132.3	5.21	100.01	3.938	122.24	4.813	114.8	4.52	386390013			386390088	
11	143.4	5.65	111.13	4.375	133.35	5.250	125.9	4.96	386390014				
12	154.6	6.09	122.24	4.813	144.46	5.688	137.0	5.40	386390015				

(B)



RECOMMENDED PCB LAYOUT

SEE SHEET ONE EC NO: IPG2014-1260 DRAWN: JENC INAS 2013/08/28 CHKD: JMACNEIL APPR: JMACNEIL 2014/03/10	DESCRIPTION B	QUALITY SYMBOLS	GENERAL TOLERANCES (UNLESS SPECIFIED)	DIMENSION STYLE	SCALE	DESIGN UNITS	THIRD ANGLE PROJECTION
		▼=0 ▽=0	mm INCH 4 PLACES ± --- ± --- 3 PLACES ± --- ± .005 2 PLACES ± 0.13 ± .01 1 PLACE ± 0.3 ± --- ANGULAR ± 2°	MM/IN	2:1	INCH	☉ ◻ THIRD ANGLE PROJECTION
		DRAFT WHERE APPLICABLE MUST REMAIN WITHIN DIMENSIONS	DRAWN BY DATE R. KEMP 2005/08/17 CHECKED BY DATE GR 2005/08/17 APPROVED BY DATE JMACNEIL 2014/03/10	TITLE 11.11/.438 SR BTS ASSY NO PADS, 81			
		MATERIAL NO. SEE CHART	MOLEX INCORPORATED DOCUMENT NO. SD-38639-006	SHEET NO. 2 OF 2			