



Chipsmall Limited consists of a professional team with an average of over 10 year of expertise in the distribution of electronic components. Based in Hongkong, we have already established firm and mutual-benefit business relationships with customers from,Europe,America and south Asia,supplying obsolete and hard-to-find components to meet their specific needs.

With the principle of "Quality Parts,Customers Priority,Honest Operation,and Considerate Service",our business mainly focus on the distribution of electronic components. Line cards we deal with include Microchip,ALPS,ROHM,Xilinx,Pulse,ON,Everlight and Freescale. Main products comprise IC,Modules,Potentiometer,IC Socket,Relay,Connector.Our parts cover such applications as commercial,industrial, and automotives areas.

We are looking forward to setting up business relationship with you and hope to provide you with the best service and solution. Let us make a better world for our industry!



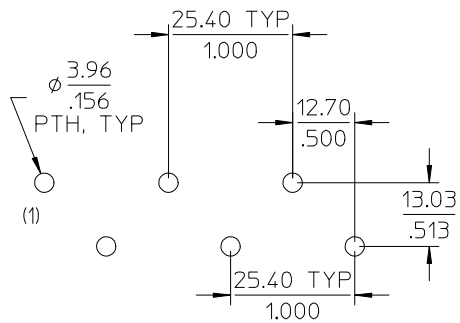
Contact us

Tel: +86-755-8981 8866 Fax: +86-755-8427 6832

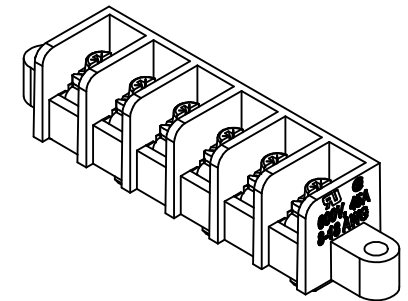
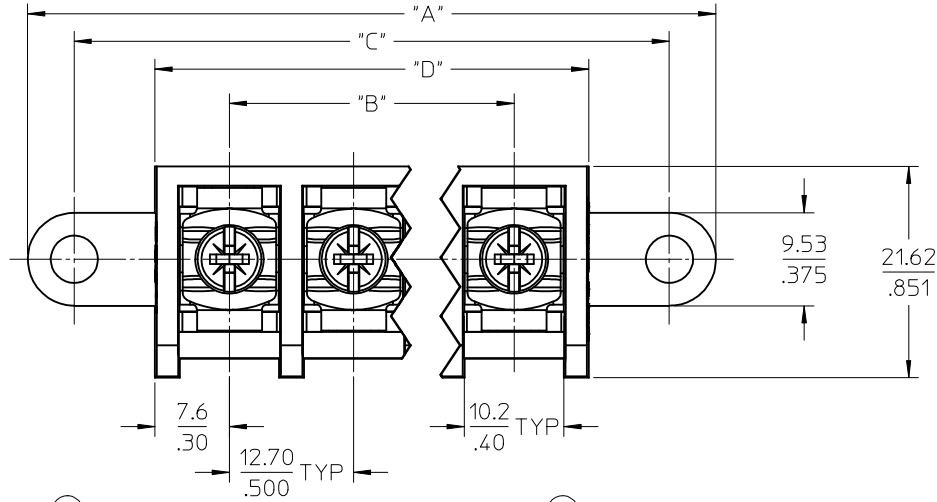
Email & Skype: info@chipsmall.com Web: www.chipsmall.com

Address: A1208, Overseas Decoration Building, #122 Zhenhua RD., Futian, Shenzhen, China

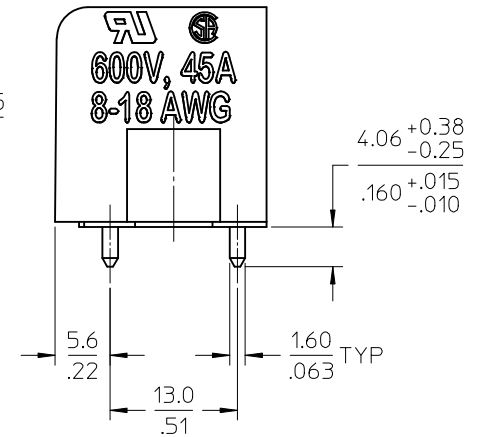
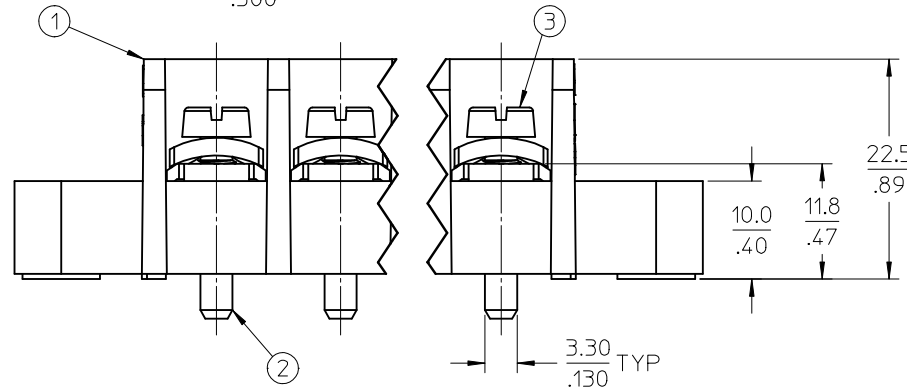
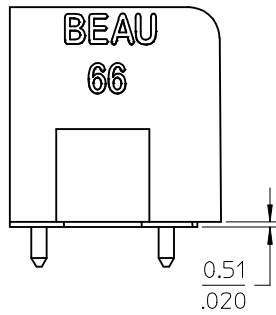




RECOMMENDED PTH PATTERN
VIEW SCALE 1:1



AUX. VIEW
SCALE 1:1
(6 CIRCUIT SHOWN)



NOTES:

1. MATERIAL: SEE TABLE
2. FINISHES: SEE TABLE
3. "XX" REFERS TO THE NUMBER OF CIRCUIT POSITIONS.
4. ASSEMBLY IS ROHS COMPLIANT.

ITEM	QTY.	DESCRIPTION	MATERIAL	FINISH
3	XX	SCREW, M4 POZI-SLOT W/WASHER	STEEL	ZN/CLEAR CHROMATE
2	XX	TERMINAL, PC	RED BRASS	TIN PLATE
1	1	INSULATOR, SINGLE ROW WITH MTG ENDS	POLYESTER (PBT)	BLACK

INITIAL RELEASE EC NO: WNA2009-0247 DRAWN BY: C. YORK CHKD: R. DEROSS APPR: D. ITTUS	QUALITY SYMBOLS ▽=0 ▽=0	GENERAL TOLERANCES (UNLESS SPECIFIED)		DIMENSION STYLE MM/IN		SCALE 2:1	DESIGN UNITS INCH	THIRD ANGLE PROJECTION	
		4 PLACES ± --- ± --- 3 PLACES ± --- ± .005 2 PLACES ± 0.13 ± .01 1 PLACE ± 0.3 ± ---	mm INCH	DRAWN BY C. YORK	DATE 2008/10/13	TITLE SR BTS, 12.70/.500 PITCH PC W/MTG ASSY, ROHS COMPLIANT			
		ANGULAR ± 2 °		CHECKED BY R. DEROSS	DATE 2008/10/13	MOLEX INCORPORATED			
		DRAFT WHERE APPLICABLE MUST REMAIN WITHIN DIMENSIONS		APPROVED BY D. ITTUS	DATE 2009/10/27	MATERIAL NO. SEE SHT. 2	DOCUMENT NO. SD-38660-004	SHEET NO. 1 OF 2	

NO. OF CIRCUITS	DIM. "A"		DIM. "B"		DIM. "C"		DIM. "D"		ASSEMBLY MATERIAL NO.
	mm	in	mm	in	mm	in	mm	in	
02	54.1	2.13	12.70	.500	44.45	1.750	27.9	1.10	386608602
03	66.8	2.63	25.40	1.000	57.15	2.250	40.6	1.60	386608603
04	79.5	3.13	38.10	1.500	69.85	2.750	53.3	2.10	386608604
05	92.2	3.63	50.80	2.000	82.55	3.250	66.0	2.60	386608605
06	104.9	4.13	63.50	2.500	95.25	3.750	78.7	3.10	386608606
07	117.6	4.63	76.20	3.000	107.95	4.250	91.4	3.60	386608607
08	130.3	5.13	88.90	3.500	120.65	4.750	104.1	4.10	386608608
09	143.0	5.63	101.60	4.000	133.35	5.250	116.8	4.60	386608609
10	155.7	6.13	114.30	4.500	146.05	5.750	129.5	5.10	386608610
11	168.4	6.63	127.00	5.000	158.75	6.250	142.2	5.60	386608611
12	181.1	7.13	139.70	5.500	171.45	6.750	154.9	6.10	386608612
13	193.8	7.63	152.40	6.000	184.15	7.250	167.6	6.60	386608613

SEE SHEET ONE EC NO: WNA2009-0247 DRAWN BY: C. YORK 2009/10/27 CHKD: R. DEROSS 2009/10/27 APPR: D. TITUS 2009/10/27	QUALITY SYMBOLS	GENERAL TOLERANCES (UNLESS SPECIFIED)	DIMENSION STYLE	SCALE	DESIGN UNITS	THIRD ANGLE PROJECTION
	▽=0 ▽=0	mm INCH 4 PLACES ± --- ± --- 3 PLACES ± --- ± .005 2 PLACES ± 0.13 ± .01 1 PLACE ± 0.3 ± --- ANGULAR ± 2 °	MM/IN	2:1	INCH	
	DESCRIPTION	DRAFT WHERE APPLICABLE MUST REMAIN WITHIN DIMENSIONS	DRAWN BY DATE C. YORK 2008/10/13 CHECKED BY DATE R. DEROSS 2008/10/13 APPROVED BY DATE D. TITUS 2009/10/27	TITLE SR BTS, 12.70/.500 PITCH PC W/MTG ASSY, ROHS COMPLIANT		
	REV		MATERIAL NO.	DOCUMENT NO.	MOLEX INCORPORATED SD-38660-004	