



Chipsmall Limited consists of a professional team with an average of over 10 year of expertise in the distribution of electronic components. Based in Hongkong, we have already established firm and mutual-benefit business relationships with customers from,Europe,America and south Asia,supplying obsolete and hard-to-find components to meet their specific needs.

With the principle of “Quality Parts,Customers Priority,Honest Operation,and Considerate Service”,our business mainly focus on the distribution of electronic components. Line cards we deal with include Microchip,ALPS,ROHM,Xilinx,Pulse,ON,Everlight and Freescale. Main products comprise IC,Modules,Potentiometer,IC Socket,Relay,Connector.Our parts cover such applications as commercial,industrial, and automotives areas.

We are looking forward to setting up business relationship with you and hope to provide you with the best service and solution. Let us make a better world for our industry!



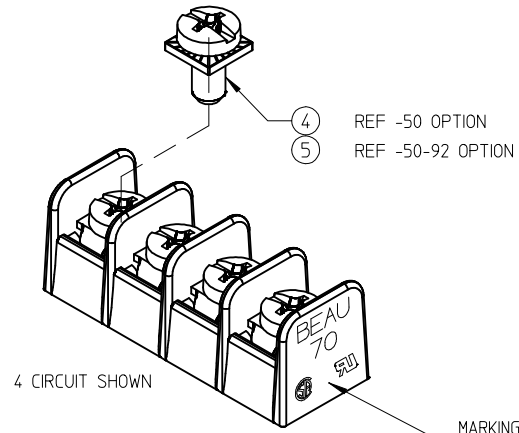
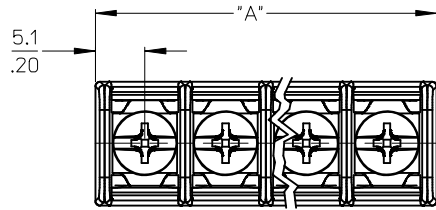
Contact us

Tel: +86-755-8981 8866 Fax: +86-755-8427 6832

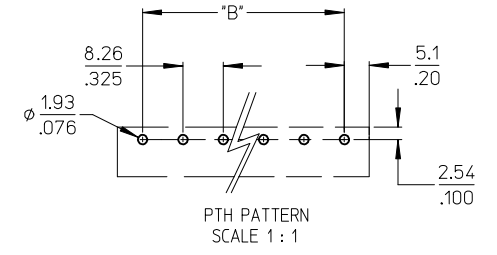
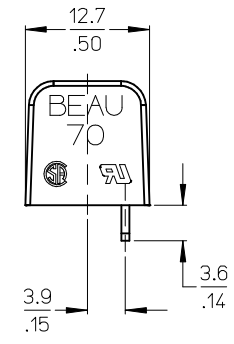
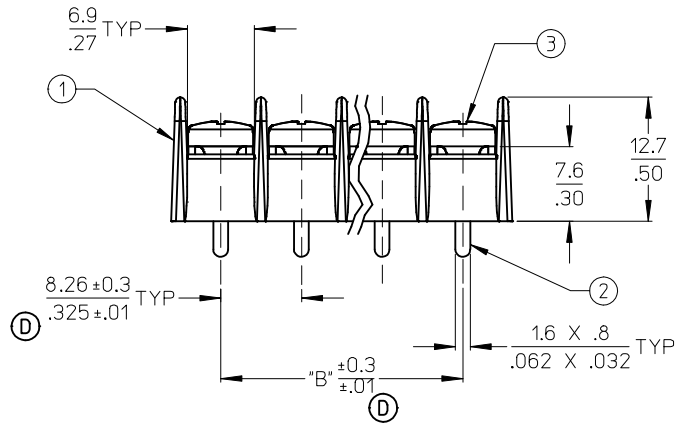
Email & Skype: info@chipsmall.com Web: www.chipsmall.com

Address: A1208, Overseas Decoration Building, #122 Zhenhua RD., Futian, Shenzhen, China





MARKING CAN BE ON BOTH SIDES OR ONE SIDE ONLY (D)



- NOTES:
1. MATERIAL: SEE TABLE.
 2. FINISHES: SEE TABLE.
 3. "XX" REFERS TO THE QUANTITY OF CIRCUITS POSITIONS.
 4. MATERIAL NUMBER 387090319 IS THE SAME AS MATERIAL NUMBER 387007516, EXCEPT BY THE SPECIAL PACKING.
 5. ROHS COMPLIANT

ITEM	QTY	DESCRIPTION	MATERIAL	FINISH
5	"XX"	SCREW, #6-32, PAN HD, PH-SL, W/SQ WSHR (-50-92)	STEEL	ZN, NOKROM COATING
4	"XX"	SCREW, #6-32, PAN HD, PH-SL, W/SQ WSHR (-50)	STEEL	ZN, CLEAR CHROMATE
3	"XX"	SCREW, #6-32, PAN HD, PH-SL (STANDARD)	STEEL	ZN, CLEAR CHROMATE
2	"XX"	TERMINAL	BRASS	TIN
1	1	BARRIER	POLYESTER (PBT)	BLACK

REVISE & REDRAWN
 EC NO: IPG2014-0471
 DRAWN: ENCINAS 2014/01/14
 CHKD: CHYK 2014/01/21
 APPR: JMACNEIL 2014/01/21

QUALITY SYMBOLS
 ▽=0
 ▽=0

GENERAL TOLERANCES (UNLESS SPECIFIED)	
mm	INCH
4 PLACES ± ---	± ---
3 PLACES ± ---	± .005
2 PLACES ± 0.13	± .01
1 PLACE ± 0.3	± ---
ANGULAR ± 2 °	

DRAFT WHERE APPLICABLE MUST REMAIN WITHIN DIMENSIONS

DIMENSION STYLE	
MM/IN	
DRAWN BY	DATE
R. KEMP	2003/07/16
CHECKED BY	DATE
R. STONE	2003/07/16
APPROVED BY	DATE
P. WALTZ	2003/07/17
MATERIAL NO.	

SCALE	DESIGN UNITS	THIRD ANGLE PROJECTION
2:1	INCH	☉
TITLE		
8.26/.325 SR BTS ASSY, PC, NO MTG ENDS		
MOLEX INCORPORATED		
DOCUMENT NO.	SHEET NO.	
SD-38700-001	1 OF 2	
THIS DRAWING CONTAINS INFORMATION THAT IS PROPRIETARY TO MOLEX INCORPORATED AND SHOULD NOT BE USED WITHOUT WRITTEN PERMISSION		

NUMBER OF CIRCUITS "XX"	DIM "A" mm in	DIM "B" mm in	STANDARD MATERIAL NO.	-50 OPTION MATERIAL NO.	-50-92 OPTION MATERIAL NO.
01	10.2 .40	- -	387006301	387007501	-
02	18.4 .73	8.26 .325	387006302	387007502	387090370
03	26.7 1.05	16.51 .650	387006303	387007503	-
04	34.9 1.38	24.77 .975	387006304	387007504	-
05	43.2 1.70	33.02 1.300	387006305	387007505	-
06	51.4 2.03	41.28 1.625	387006306	387007506	-
07	59.7 2.35	49.53 1.950	387006307	387007507	-
08	67.9 2.68	57.79 2.275	387006308	387007508	387090371
09	76.2 3.00	66.04 2.600	387006309	387007509	-
10	84.5 3.33	74.30 2.925	387006310	387007510	-
11	92.7 3.65	82.55 3.250	387006311	387007511	-
12	101.0 3.98	90.81 3.575	387006312	387007512	-
13	109.2 4.30	99.06 3.900	387006313	387007513	-
14	117.5 4.63	107.32 4.225	387006314	387007514	-
15	125.7 4.95	115.57 4.550	387006315	387007515	-
16	134.0 5.28	123.83 4.875	387006316	387007516	387090368
17	142.2 5.60	132.80 5.200	387006317	387007517	-
18	150.5 5.93	140.34 5.525	387006318	387007518	-
19	158.8 6.25	148.59 5.850	387006319	387007519	-
20	167.0 6.58	156.85 6.175	387006320	387007520	-
21	175.3 6.90	165.10 6.500	387006321	387007521	-
22	183.5 7.23	173.36 6.825	387006322	387007522	-
23	191.8 7.55	181.61 7.150	387006323	387007523	-
24	200.0 7.88	189.87 7.475	387006324	387007524	387090372
25	208.3 8.20	198.12 7.800	387006325	387007525	-
26	216.5 8.53	206.38 8.125	387006326	387007526	-
27	224.8 8.85	214.63 8.450	387006327	387007527	-
28	233.0 9.18	222.89 8.775	387006328	387007528	-
29	241.3 9.50	231.14 9.100	387006329	387007529	-
30	249.6 9.83	239.40 9.425	387006330	387007530	387090373

MAT. #387090319 IS THE SAME AS 387007516 (SEE NOTE 4, SHEET #1)

SEE SHEET 1 EC NO: IPG2014-0471 DRAWN: JENCINAS 2014/01/15 CHKD: APPR: JMACNEIL 2014/01/21 DESCRIPTION REV	QUALITY SYMBOLS	GENERAL TOLERANCES (UNLESS SPECIFIED)	DIMENSION STYLE	SCALE	DESIGN UNITS	THIRD ANGLE PROJECTION	
	▽=0 ▽=0	mm INCH 4 PLACES ± --- ± --- 3 PLACES ± --- ± .005 2 PLACES ± 0.13 ± .01 1 PLACE ± 0.3 ± --- ANGULAR ± 2 °	MM/IN	2:1	INCH	DRAWN BY DATE R. KEMP 2003/07/16 CHECKED BY DATE R. STONE 2003/07/16 APPROVED BY DATE P. WALTZ 2003/07/17	TITLE 8.26/.325 SR BTS ASSY, PC, NO MTG ENDS
	DRAFT WHERE APPLICABLE MUST REMAIN WITHIN DIMENSIONS	SEE CHART	MATERIAL NO.	DOCUMENT NO.	MOLEX INCORPORATED SD-38700-001		SHEET NO. 2 OF 2
	THIS DRAWING CONTAINS INFORMATION THAT IS PROPRIETARY TO MOLEX INCORPORATED AND SHOULD NOT BE USED WITHOUT WRITTEN PERMISSION						