



Chipsmall Limited consists of a professional team with an average of over 10 year of expertise in the distribution of electronic components. Based in Hongkong, we have already established firm and mutual-benefit business relationships with customers from,Europe,America and south Asia,supplying obsolete and hard-to-find components to meet their specific needs.

With the principle of “Quality Parts,Customers Priority,Honest Operation,and Considerate Service”,our business mainly focus on the distribution of electronic components. Line cards we deal with include Microchip,ALPS,ROHM,Xilinx,Pulse,ON,Everlight and Freescale. Main products comprise IC,Modules,Potentiometer,IC Socket,Relay,Connector.Our parts cover such applications as commercial,industrial, and automotives areas.

We are looking forward to setting up business relationship with you and hope to provide you with the best service and solution. Let us make a better world for our industry!



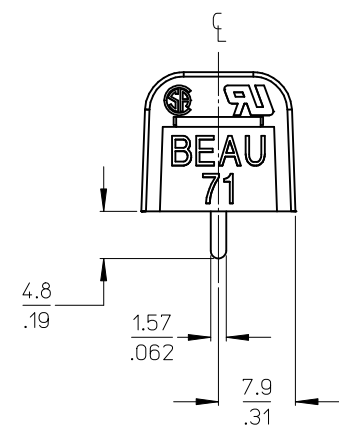
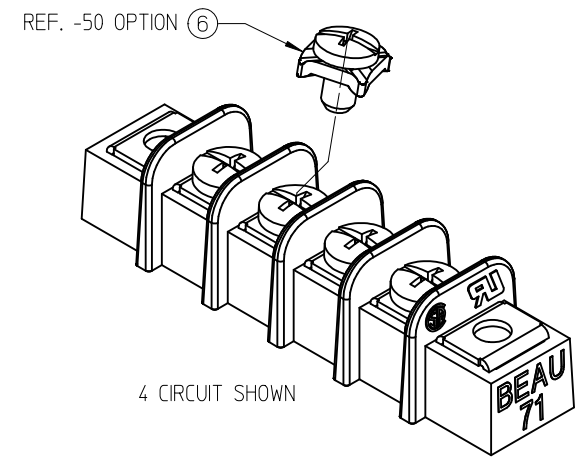
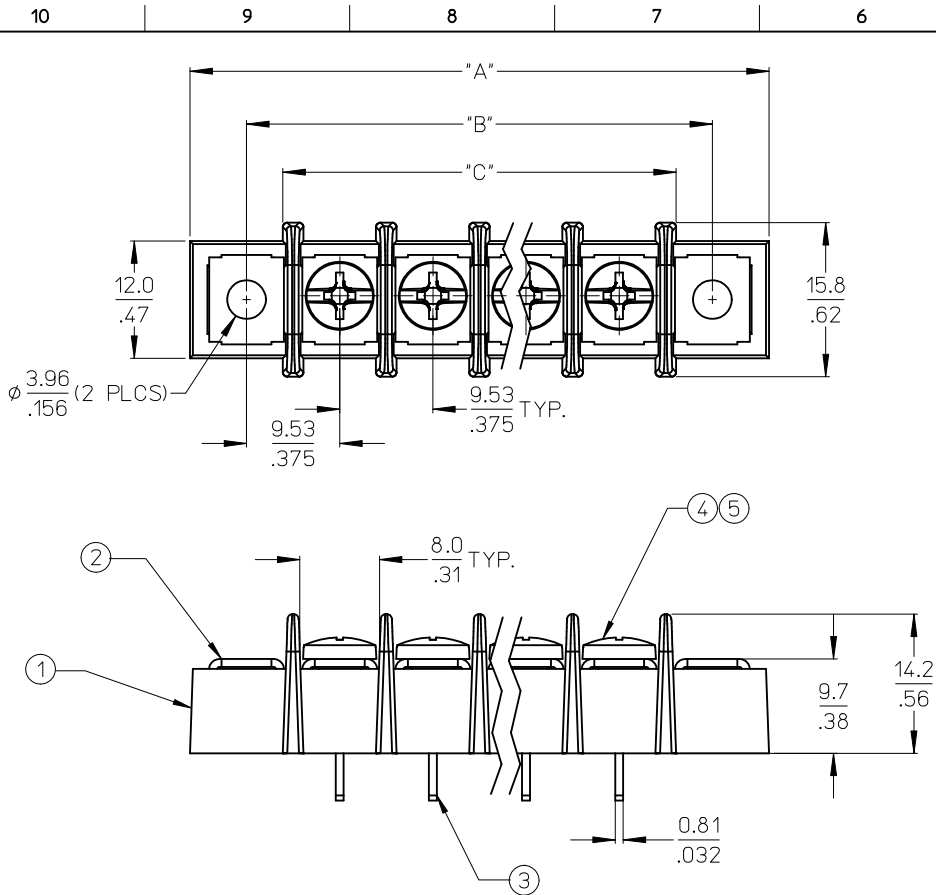
Contact us

Tel: +86-755-8981 8866 Fax: +86-755-8427 6832

Email & Skype: info@chipsmall.com Web: www.chipsmall.com

Address: A1208, Overseas Decoration Building, #122 Zhenhua RD., Futian, Shenzhen, China





NOTES:

- 1. MATERIAL: SEE TABLE.
- 2. "XX" REFERS TO THE QUANTITY OF CIRCUITS.
- 3. ROHS COMPLIANT.

6	XX	SCREW, #6-32X.250, PANHD, PHIL-SLOT W/W (OPT -50)	STEEL	ZN, CLEAR CHROMATE
5	XX	SCREW, #6-32X.250, BHD, PHIL-SLOT (OPT -49)	BRASS	NICKEL PLATE
4	XX	SCREW, #6-32X.250, BHD, PHIL-SLOT (STD)	STEEL	ZN, CLEAR CHROMATE
3	XX	TERMINAL, PCKT	BRASS	TIN PLATE
2	2	MOUNTING PLATE	BRASS	NICKEL PLATE
1	1	INSULATOR, SR BTS PCKT	POLYESTER (PBT)	BLACK
ITEM	QTY.	DESCRIPTION	MATERIAL	FINISH

RELEASED
 EC NO: IPG2012-0187
 DRWN: JENC INAS 2011/12/13
 CHKD: JMACNE IL 2011/12/14
 APPR: JMACNE IL 2012/03/12

QUALITY SYMBOLS
 ▼=0
 ▽=0

GENERAL TOLERANCES (UNLESS SPECIFIED)	
	mm INCH
4 PLACES	± --- ± ---
3 PLACES	± --- ± .005
2 PLACES	± 0.13 ± .01
1 PLACE	± 0.3 ± ---
ANGULAR ± 2 °	
DRAFT WHERE APPLICABLE MUST REMAIN WITHIN DIMENSIONS	

DIMENSION STYLE	
MM/IN	
DRAWN BY	DATE
JENC INAS	2011/12/13
CHECKED BY	DATE
JMACNE IL	2011/12/14
APPROVED BY	DATE
JMACNE IL	2012/03/12
MATERIAL NO.	
SEE SHEET 2	

SCALE	DESIGN UNITS	THIRD ANGLE PROJECTION
2:1	INCH	
TITLE		
9.53/.375" SR BTS, PC MOUNTING END ASSY.		
MOLEX INCORPORATED		SHEET NO.
DOCUMENT NO.		1 OF 2
THIS DRAWING CONTAINS INFORMATION THAT IS PROPRIETARY TO MOLEX INCORPORATED AND SHOULD NOT BE USED WITHOUT WRITTEN PERMISSION		

NO. OF CIRCUITS	DIM. 'A'		DIM. 'B'		DIM. 'C'		ASSEMBLY MATERIAL NO. (STD)	ASSEMBLY MATERIAL NO. (-49 OPT)	ASSEMBLY MATERIAL NO. (-50 OPT)
	mm	in	mm	in	mm	in			
02	40.1	1.58	28.6	1.13	21.1	0.83	387106202	387106802	387107402
03	49.7	1.96	38.1	1.50	30.6	1.21	387106203	387106803	387107403
04	59.2	2.33	47.6	1.88	40.1	1.58	387106204	387106804	387107404
05	68.7	2.71	57.1	2.25	49.7	1.96	387106205	387106805	387107405
06	78.2	3.08	66.6	2.63	59.2	2.33	387106206	387106806	387107406
07	87.8	3.46	76.2	3.00	68.7	2.71	387106207	387106807	387107407
08	97.3	3.83	85.7	3.38	78.2	3.08	387106208	387106808	387107408
09	106.8	4.21	95.2	3.75	87.8	3.46	387106209	387106809	387107409
10	116.3	4.58	104.8	4.13	97.3	3.83	387106210	387106810	387107410
11	125.9	4.96	114.3	4.50	106.8	4.21	387106211	387106811	387107411
12	135.4	5.33	123.8	4.88	116.3	4.58	387106212	387106812	387107412
13	144.9	5.71	133.3	5.25	125.9	4.96	387106213	387106813	387107413
14	154.4	6.08	142.9	5.63	135.4	5.33	387106214	387106814	387107414
15	164.0	6.46	152.4	6.00	144.9	5.71	387106215	387106815	387107415
16	173.5	6.83	161.9	6.38	154.4	6.08	387106216	387106816	387107416
17	183.0	7.21	171.4	6.75	164.0	6.46	387106217	387106817	387107417
18	192.5	7.58	181.0	7.13	173.5	6.83	387106218	387106818	387107418
19	202.1	7.96	190.5	7.50	183.0	7.21	387106219	387106819	387107419
20	211.6	8.33	200.0	7.88	192.5	7.58	387106220	387106820	387107420
21	221.1	8.71	209.5	8.25	202.1	7.96	387106221	387106821	387107421
22	230.6	9.08	219.1	8.63	211.6	8.33	387106222	387106822	387107422
23	240.2	9.46	228.6	9.00	221.1	8.71	387106223	387106823	387107423
24	249.7	9.83	238.1	9.38	230.6	9.08	387106224	387106824	387107424
25	259.2	10.21	247.6	9.75	240.2	9.46	387106225	387106825	387107425
26	268.7	10.58	257.2	10.13	249.7	9.83	387106226	387106826	387107426

SEE SHEET ONE EC NO: IPG2012-0187 DRAWN: JENCINAS 2011/12/13 CHKD: JMACNEIL 2011/12/14 APPR: JMACNEIL 2012/03/12	DESCRIPTION A	QUALITY SYMBOLS ▽=0 ▽=0	GENERAL TOLERANCES (UNLESS SPECIFIED) mm INCH 4 PLACES ± --- ± --- 3 PLACES ± --- ± .005 2 PLACES ± 0.13 ± .01 1 PLACE ± 0.3 ± --- ANGULAR ± 2 °	DIMENSION STYLE MM/IN	SCALE 2:1	DESIGN UNITS INCH	THIRD ANGLE PROJECTION
		DRAWN BY JENCINAS	DATE 2011/12/13	TITLE 9.53/.375" SR BTS, PC MOUNTING END ASSY.			
		CHECKED BY JMACNEIL	DATE 2011/12/14	MOLEX INCORPORATED			
		APPROVED BY JMACNEIL	DATE 2012/03/12	MATERIAL NO. SEE CHART	DOCUMENT NO. SD-38710-007	SHEET NO. 2 OF 2	