



Chipsmall Limited consists of a professional team with an average of over 10 year of expertise in the distribution of electronic components. Based in Hongkong, we have already established firm and mutual-benefit business relationships with customers from,Europe,America and south Asia,supplying obsolete and hard-to-find components to meet their specific needs.

With the principle of “Quality Parts,Customers Priority,Honest Operation,and Considerate Service”,our business mainly focus on the distribution of electronic components. Line cards we deal with include Microchip,ALPS,ROHM,Xilinx,Pulse,ON,Everlight and Freescale. Main products comprise IC,Modules,Potentiometer,IC Socket,Relay,Connector.Our parts cover such applications as commercial,industrial, and automotives areas.

We are looking forward to setting up business relationship with you and hope to provide you with the best service and solution. Let us make a better world for our industry!



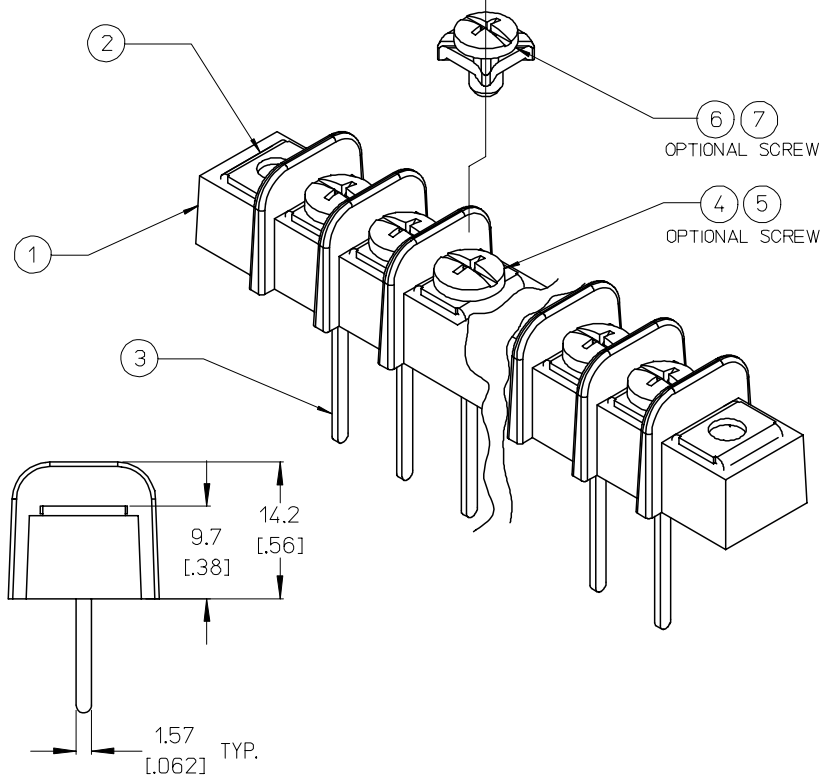
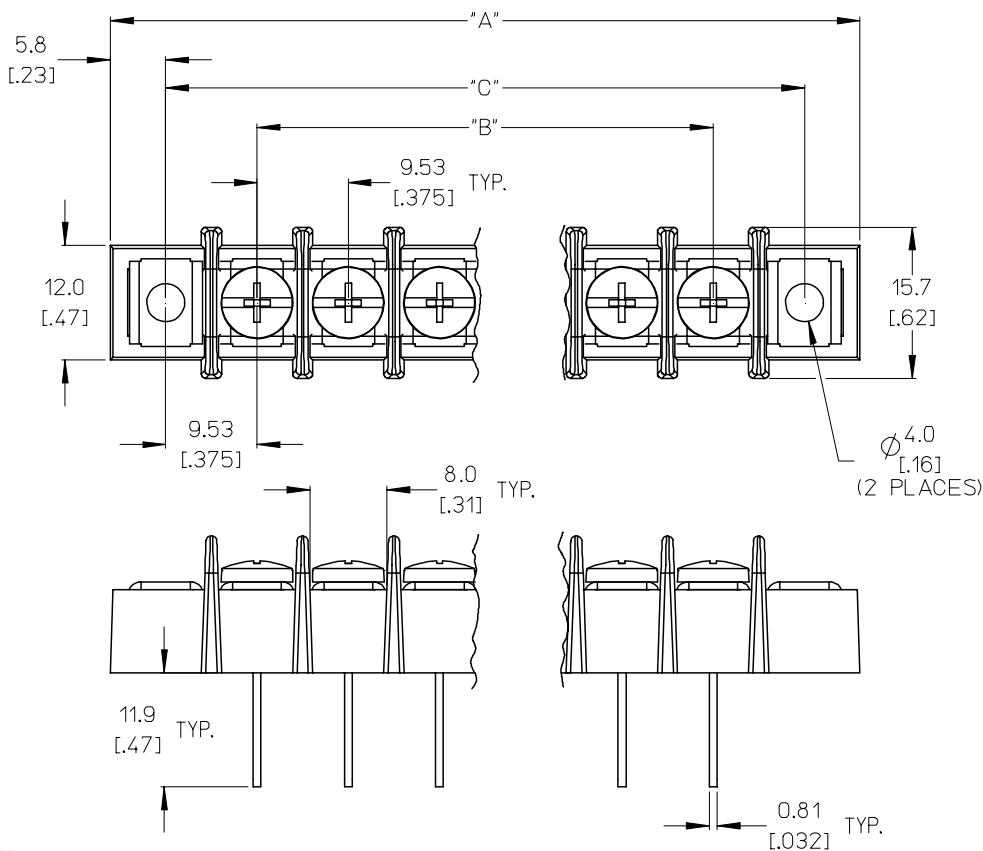
Contact us

Tel: +86-755-8981 8866 Fax: +86-755-8427 6832

Email & Skype: info@chipsmall.com Web: www.chipsmall.com

Address: A1208, Overseas Decoration Building, #122 Zhenhua RD., Futian, Shenzhen, China





NOTES:

- 1. MATERIAL: SEE TABLE
- 2. FINISHES: SEE TABLE
- 3. INCH DIMENSIONS ARE SHOWN IN BRACKETS [XXX].
- 4. "XX" REFERS TO NUMBER OF CIRCUITS.
- 5. ASSEMBLY IS ROHS COMPLIANT.

7	XX	#6-32 PH/SLOTTED SCREW W/ WASHER (OPT -49,-50)	BRASS	NICKEL PLATE
6	XX	#6-32 PH/SLOTTED SCREW W/ WASHER (OPT -50)	STEEL	ZN, CLEAR CHROMATE
5	XX	#6-32 PH/SLOTTED SCREW (OPT -49)	BRASS	NICKEL PLATE
4	XX	#6-32 PH/SLOTTED SCREW (STANDARD)	STEEL	ZN, CLEAR CHROMATE
3	XX	TERMINAL, WW	BRASS	TIN PLATE
2		MOUNTING PLATE	BRASS	NICKEL PLATE
1	1	INSULATOR	PBT	BLACK
ITEM	QTY.	DESCRIPTION	MATERIAL	FINISH

INITIAL RELEASE
 EC NO: ETC2007-0344
 DRW: CLYORK 2007/04/10
 CHKD: JMACNEIL 2007/04/27
 APPR: JMACNEIL 2007/04/30

QUALITY SYMBOLS

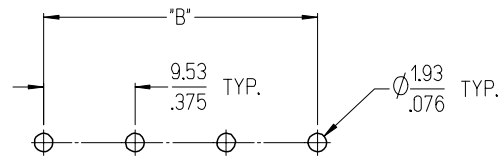
 DESCRIPTION
 REV

GENERAL TOLERANCES (UNLESS SPECIFIED)	
mm	INCH
4 PLACES ± .005	± .005
3 PLACES ± .005	± .005
2 PLACES ± 0.13	± .01
1 PLACE ± 0.3	± .01
ANGULAR ± 2 °	
DRAFT WHERE APPLICABLE MUST REMAIN WITHIN DIMENSIONS	

DIMENSION STYLE	
MM/IN	
DRAWN BY	DATE
C. YORK	2007/03/20
CHECKED BY	DATE
JMACNEIL	2007/03/20
APPROVED BY	DATE
JMACNEIL	2007/03/20
MATERIAL NO.	DOCUMENT NO.
SEE SHT. 2	SD-38711-003
SIZE	
B	

SCALE	DESIGN UNITS	THIRD ANGLE PROJECTION
2:1	INCH	
TITLE		
9.53MM [.375] SR BTS, WW ASSY, LOW PROFILE		
MATERIAL NO.		
MOLEX INCORPORATED		
DOCUMENT NO.		SHEET NO.
SD-38711-003		1 OF 2
THIS DRAWING CONTAINS INFORMATION THAT IS PROPRIETARY TO MOLEX INCORPORATED AND SHOULD NOT BE USED WITHOUT WRITTEN PERMISSION		

MATERIAL NO. (OPT -49,-50)	MATERIAL NO. (OPT -49)	MATERIAL NO. (OPT -50)	MATERIAL NO. (STANDARD)	NUMBER OF CIRCUITS "XX"	DIM. "A"	DIM. "B"	DIM. "C"
38719-0466	38711-2802	38711-3402	38711-2202	02	40.2 [1.58]	9.53 [.375]	28.6 [1.13]
	38711-2803	38711-3403	38711-2203	03	49.7 [1.96]	19.05 [.750]	38.1 [1.50]
38719-0614	38711-2804	38711-3404	38711-2204	04	59.2 [2.33]	28.58 [1.125]	47.6 [1.88]
	38711-2805	38711-3405	38711-2205	05	68.7 [2.71]	38.10 [1.500]	57.2 [2.25]
38719-0467	38711-2806	38711-3406	38711-2206	06	78.3 [3.08]	47.63 [1.875]	66.7 [2.63]
38719-0468	38711-2807	38711-3407	38711-2207	07	87.8 [3.46]	57.15 [2.250]	76.2 [3.00]
	38711-2808	38711-3408	38711-2208	08	97.3 [3.83]	66.68 [2.625]	85.7 [3.38]
38719-0469	38711-2809	38711-3409	38711-2209	09	106.8 [4.21]	76.20 [3.000]	95.3 [3.75]
	38711-2810	38711-3410	38711-2210	10	116.4 [4.58]	85.73 [3.375]	104.8 [4.13]
	38711-2811	38711-3411	38711-2211	11	125.9 [4.96]	95.25 [3.750]	114.3 [4.50]
	38711-2812	38711-3412	38711-2212	12	135.4 [5.33]	104.78 [4.125]	123.8 [4.88]
	38711-2813	38711-3413	38711-2213	13	144.9 [5.71]	114.30 [4.500]	133.4 [5.25]
	38711-2814	38711-3414	38711-2214	14	154.5 [6.08]	123.83 [4.875]	142.9 [5.63]
	38711-2815	38711-3415	38711-2215	15	164.0 [6.46]	133.35 [5.250]	152.4 [6.00]
	38711-2816	38711-3416	38711-2216	16	173.5 [6.83]	142.88 [5.625]	161.9 [6.38]
	38711-2817	38711-3417	38711-2217	17	183.0 [7.21]	152.40 [6.000]	171.5 [6.75]
	38711-2818	38711-3418	38711-2218	18	192.6 [7.58]	161.93 [6.375]	181.0 [7.13]
	38711-2819	38711-3419	38711-2219	19	202.1 [7.96]	171.45 [6.750]	190.5 [7.50]
	38711-2820	38711-3420	38711-2220	20	211.6 [8.33]	180.98 [7.125]	200.0 [7.88]
	38711-2821	38711-3421	38711-2221	21	221.1 [8.71]	190.50 [7.500]	209.6 [8.25]
	38711-2822	38711-3422	38711-2222	22	230.7 [9.08]	200.03 [7.875]	219.1 [8.63]
	38711-2823	38711-3423	38711-2223	23	240.2 [9.46]	209.55 [8.250]	228.6 [9.00]
	38711-2824	38711-3424	38711-2224	24	249.7 [9.83]	219.08 [8.625]	238.1 [9.38]
	38711-2825	38711-3425	38711-2225	25	259.2 [10.21]	228.60 [9.000]	247.7 [9.75]
	38711-2826	38711-3426	38711-2226	26	268.8 [10.58]	238.13 [9.375]	257.2 [10.13]



RECOMMENDED PCB LAYOUT

SEE SHEET 1 EC NO: ETC2007-0344 DRWN: CLYORK 2007/04/10 CHKD: JMACNEIL 2007/04/27 APPR: JMACNEIL 2007/04/30	QUALITY SYMBOLS ▽=0 ▽=0	GENERAL TOLERANCES (UNLESS SPECIFIED)		DIMENSION STYLE MM/IN		SCALE 2:1	DESIGN UNITS INCH	THIRD ANGLE PROJECTION
		4 PLACES ± --- ± --- 3 PLACES ± --- ± .005 2 PLACES ± 0.13 ± .01 1 PLACE ± 0.3 ± --- ANGULAR ± 2 °	DRAWN BY C. YORK DATE 2007/03/20	TITLE 9.53MM [.375] SR BTS, WW ASSY, LOW PROFILE				
A	REV	DRAFT WHERE APPLICABLE MUST REMAIN WITHIN DIMENSIONS		APPROVED BY JMACNEIL DATE 2007/03/20		MOLEX INCORPORATED		SHEET NO. 2 OF 2
		MATERIAL NO. SEE CHART		DOCUMENT NO. SD-38711-003		THIS DRAWING CONTAINS INFORMATION THAT IS PROPRIETARY TO MOLEX INCORPORATED AND SHOULD NOT BE USED WITHOUT WRITTEN PERMISSION		