



Chipsmall Limited consists of a professional team with an average of over 10 year of expertise in the distribution of electronic components. Based in Hongkong, we have already established firm and mutual-benefit business relationships with customers from,Europe,America and south Asia,supplying obsolete and hard-to-find components to meet their specific needs.

With the principle of “Quality Parts,Customers Priority,Honest Operation,and Considerate Service”,our business mainly focus on the distribution of electronic components. Line cards we deal with include Microchip,ALPS,ROHM,Xilinx,Pulse,ON,Everlight and Freescale. Main products comprise IC,Modules,Potentiometer,IC Socket,Relay,Connector.Our parts cover such applications as commercial,industrial, and automotives areas.

We are looking forward to setting up business relationship with you and hope to provide you with the best service and solution. Let us make a better world for our industry!



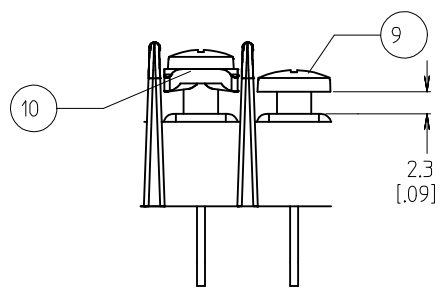
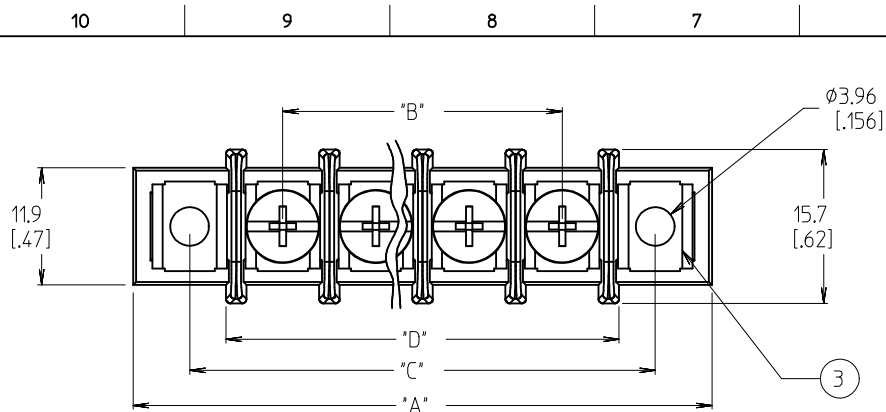
Contact us

Tel: +86-755-8981 8866 Fax: +86-755-8427 6832

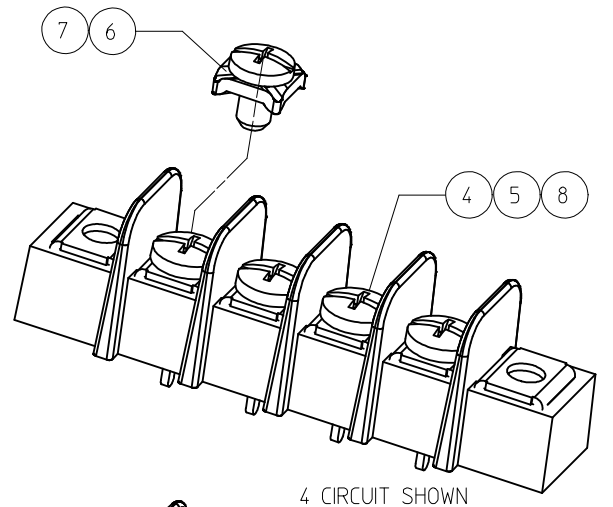
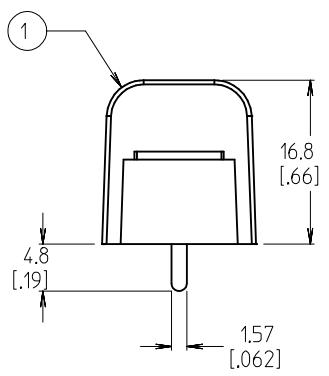
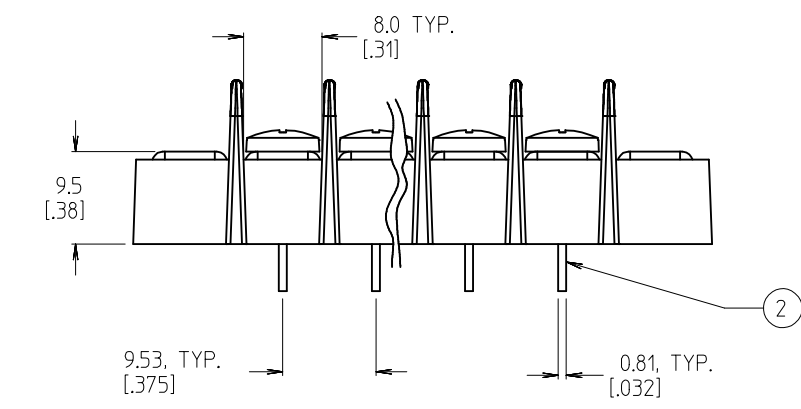
Email & Skype: info@chipsmall.com Web: www.chipsmall.com

Address: A1208, Overseas Decoration Building, #122 Zhenhua RD., Futian, Shenzhen, China

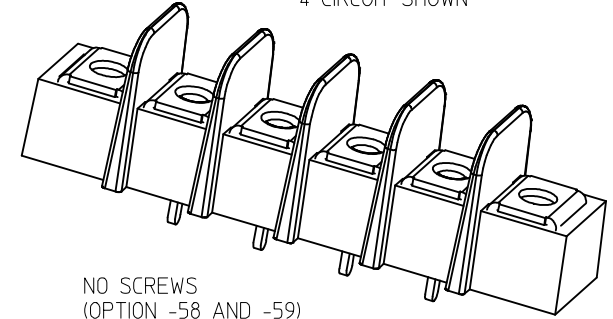




WIRE READY SPEC. (OPTION -47)
(FOR OPTIONAL SCREW -50
AND STANDARD SCREW.)



4 CIRCUIT SHOWN



NO SCREWS
(OPTION -58 AND -59)
4 CIRCUIT SHOWN

NOTES:

1. MATERIAL: SEE TABLE
2. FINISHES: SEE TABLE
3. INCH DIMENSIONS ARE IN BRACKETS [XXX].
4. REFER TO SD-38120-001 FOR IMPRINTING OPTIONS 10A AND 11A.
5. REFER TO SD-38120-007 FOR IMPRINTING OPTION 12A.
6. *XX* REFERS TO THE QUANTITY OF CIRCUITS.
7. ALL COMPONENTS ARE ROHS COMPLIANT.

10	XX	#6-32 WRDY W/WASH SCR (-47,-50)	STEEL	ZN, CLEAR CHROMATE
9	XX	#6-32 PH/SLOT WRDY SCR (OPT -47)	STEEL	ZN, CLEAR CHROMATE
8	XX	#6-32 BHD, PH-SL SCREW (OPT -56)	STAINLESS STEEL	PASSIVATE
7	XX	#6-32 PH/SL W/WASH SCR (-49,-50)	BRASS	NICKEL
6	XX	#6-32 PH/SL W/WASH SCR (OPT -50)	STEEL	ZN, CLEAR CHROMATE
5	XX	#6-32 PH/SLOTTED SCREW (OPT -49)	BRASS	NICKEL
4	XX	#6-32 PH/SLOTTED SCREW (STD)	STEEL	ZN, CLEAR CHROMATE
3	2	MOUNTING PLATE	BRASS	NICKEL
2	XX	TERMINAL	BRASS	BRT.TIN/CU
1	1	INSULATOR, SINGLE ROW	PBT	BLACK
ITEM	QTY.	DESCRIPTION	MATERIAL	FINISH

ADD 387291663 SEE SHT 2
EC NO: IFC2015-0783
DRAWN BY: DRWHRSTONE 2014/10/27
CHKD BY: RUPERT 10/29/2014
APPR: BWOODMAN 2014/11/02

QUALITY SYMBOLS
▽=0
▽=0

GENERAL TOLERANCES (UNLESS SPECIFIED)

	mm	INCH
4 PLACES	± ---	± ---
3 PLACES	± ---	± .005
2 PLACES	± 0.13	± .01
1 PLACE	± 0.3	± ---
ANGULAR ± 2 °		

DRAFT WHERE APPLICABLE
MUST REMAIN
WITHIN DIMENSIONS

DIMENSION STYLE
MM/IN

DRAWN BY: W. HOWARD DATE: 2003/10/16
CHECKED BY: R. KEMP DATE: 2003/10/16
APPROVED BY: P. WALTZ DATE: 2003/10/16

SCALE: 2:1
DESIGN UNITS: INCH
THIRD ANGLE PROJECTION

9.53MM [0.375"] SR BTS, PC ASSY

molex MOLEX INCORPORATED

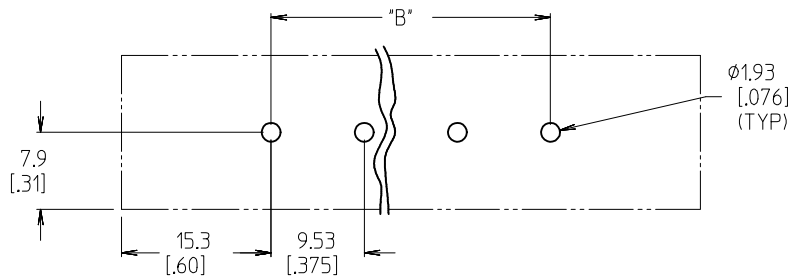
DOCUMENT NO. SD-38720-001
SHEET NO. 1 OF 2

SEE SHT. 2

THIS DRAWING CONTAINS INFORMATION THAT IS PROPRIETARY TO MOLEX INCORPORATED AND SHOULD NOT BE USED WITHOUT WRITTEN PERMISSION

	10	9	8	7	6	5	4	3	2	1	
	NUMBER OF CIRCUITS *XX*	MATERIAL NO. (OPT 12A)	MATERIAL NO. (OPT 11A)	MATERIAL NO. (OPT 10A)	MATERIAL NO. (OPT -59)	MATERIAL NO. (OPT -58)	MATERIAL NO. (OPT -56)	MATERIAL NO. (OPT -50)	MATERIAL NO. (OPT -49,-50)	MATERIAL NO. (OPT -49)	MATERIAL NO. (OPT -47,-50) (STD)
	01						38729-0659				38720-6201
	02			38729-1039		38729-0750	38729-0791	38720-7402	38729-1381	38720-6802	38720-6202
	03	38729-0872	38729-0025	38729-0014			38729-0117	38720-7403		38720-6803	38720-8603
	04			38729-0940	38729-0945		38729-0839	38720-7404	38729-1159	38720-6804	38720-6204
	05	38729-0256		38729-0346			38729-1253	38720-7405	38729-1382	38720-6805	38720-6205
	06				38729-0400	38729-0386	38729-0980	38720-7406	38729-1383	38720-6806	38720-6206
	07			38729-0423	38729-0407	38729-0435	38729-0440	38720-7407		38720-6807	38720-6207
	08	38729-0497				38729-0508	38729-0532	38720-7408		38720-6808	38720-6208
	09			38729-0548		38729-0560		38720-7409		38720-6809	38720-6209
	10			38729-1011	38729-0598	38729-0598	38729-1663 (D)	38720-7410		38720-6810	38720-6210
	11						38729-1252	38720-7411			38720-6211
	12			38729-0720			38729-0735	38720-7412		38720-6812	38720-6212
	13					38729-0809		38720-7413			38720-6213
	14					38729-0004		38720-7414		38720-6814	38720-6214
	15										38720-6215
	16										38720-6216
	17										38720-6217
	18										38720-6218
	19										38720-6219
	20										38720-6220
	21										38720-6221
	22										38720-6222
	23										38720-6223
	24										38720-6224
	25										38720-6225
	26										38720-6226

NUMBER OF CIRCUITS *XX*	DIM. *A*		DIM. *B*		DIM. *C*		DIM. *D*	
01	30.7	[1.21]	-	-	19.1	[.75]	11.6	[.46]
02	40.1	[1.58]	9.53	[.375]	28.6	[1.13]	21.1	[.83]
03	49.7	[1.96]	19.05	[.750]	38.1	[1.50]	30.6	[1.21]
04	59.2	[2.33]	28.58	[1.125]	47.6	[1.88]	40.1	[1.58]
05	68.7	[2.71]	38.10	[1.500]	57.2	[2.25]	49.7	[1.96]
06	78.2	[3.08]	47.63	[1.875]	66.7	[2.63]	59.2	[2.33]
07	87.8	[3.46]	57.15	[2.250]	76.2	[3.00]	68.7	[2.71]
08	97.3	[3.83]	66.68	[2.625]	85.7	[3.38]	78.2	[3.08]
09	106.8	[4.21]	76.20	[3.000]	95.3	[3.75]	87.8	[3.46]
10	116.3	[4.58]	85.73	[3.375]	104.8	[4.13]	97.3	[3.83]
11	125.9	[4.96]	95.25	[3.750]	114.3	[4.50]	106.8	[4.21]
12	135.4	[5.33]	104.78	[4.125]	123.8	[4.88]	116.3	[4.58]
13	144.9	[5.71]	114.30	[4.500]	133.4	[5.25]	125.9	[4.96]
14	154.4	[6.08]	123.83	[4.875]	142.9	[5.63]	135.4	[5.33]
15	164.0	[6.46]	133.35	[5.250]	152.4	[6.00]	144.9	[5.71]
16	173.5	[6.83]	142.88	[5.625]	161.9	[6.38]	154.4	[6.08]
17	183.0	[7.21]	152.40	[6.000]	171.5	[6.75]	164.0	[6.46]
18	192.5	[7.58]	161.93	[6.375]	181.0	[7.13]	173.5	[7.21]
19	202.1	[7.96]	171.45	[6.750]	190.5	[7.50]	183.0	[7.58]
20	211.6	[8.33]	180.98	[7.125]	200.0	[7.88]	192.5	[7.96]
21	221.1	[8.71]	190.50	[7.500]	209.6	[8.25]	202.1	[8.33]
22	230.6	[9.08]	200.03	[7.875]	219.1	[8.63]	211.6	[8.71]
23	240.2	[9.46]	209.55	[8.250]	228.6	[9.00]	221.1	[9.08]
24	249.7	[9.83]	219.08	[8.625]	238.1	[9.38]	230.6	[9.46]
25	259.2	[10.21]	228.60	[9.000]	247.7	[9.75]	240.2	[9.83]
26	268.7	[10.58]	238.13	[9.375]	257.2	[10.13]	249.7	[10.58]



PTH PATTERN

ADD 387291663 (10P) EC NO: IPG2015-0703 D DRAWRHSTONE 2014/10/27 CHKDB RUPERT 10/29/2014 APPR: BWOODMAN 2014/11/02 REV DESCRIPTION	QUALITY SYMBOLS	GENERAL TOLERANCES (UNLESS SPECIFIED)	DIMENSION STYLE	SCALE	DESIGN UNITS	THIRD ANGLE PROJECTION	
	$\nabla=0$ $\nabla=0$	mm INCH	MM/IN	2:1	INCH		
		4 PLACES ± --- ± --- 3 PLACES ± --- ± .005 2 PLACES ± 0.13 ± .01 1 PLACE ± 0.3 ± ---	DRAWN BY DATE W. HOWARD 2003/10/16 CHECKED BY DATE R. KEMP 2003/10/16 APPROVED BY DATE P. WALTZ 2003/10/16	TITLE	9.53MM [.375"] SR BTS, PC ASSY		
		ANGULAR ± 2 °	MATERIAL NO.	DOCUMENT NO.	MOLEX INCORPORATED		
	DRAFT WHERE APPLICABLE MUST REMAIN WITHIN DIMENSIONS	SEE CHART		SD-38720-001			
		SIZE B	THIS DRAWING CONTAINS INFORMATION THAT IS PROPRIETARY TO MOLEX INCORPORATED AND SHOULD NOT BE USED WITHOUT WRITTEN PERMISSION			SHEET NO. 2 OF 2	