



Chipsmall Limited consists of a professional team with an average of over 10 year of expertise in the distribution of electronic components. Based in Hongkong, we have already established firm and mutual-benefit business relationships with customers from,Europe,America and south Asia,supplying obsolete and hard-to-find components to meet their specific needs.

With the principle of “Quality Parts,Customers Priority,Honest Operation,and Considerate Service”,our business mainly focus on the distribution of electronic components. Line cards we deal with include Microchip,ALPS,ROHM,Xilinx,Pulse,ON,Everlight and Freescale. Main products comprise IC,Modules,Potentiometer,IC Socket,Relay,Connector.Our parts cover such applications as commercial,industrial, and automotives areas.

We are looking forward to setting up business relationship with you and hope to provide you with the best service and solution. Let us make a better world for our industry!



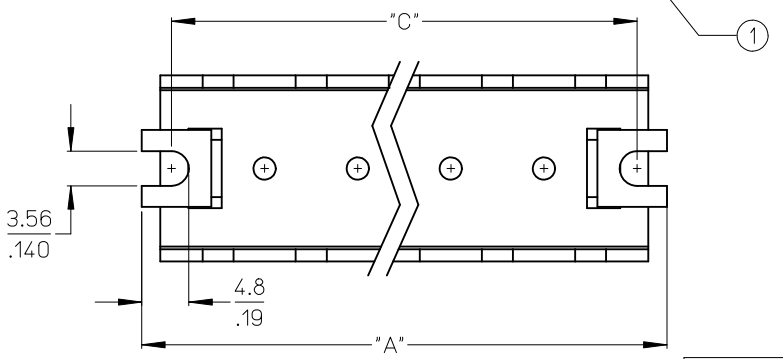
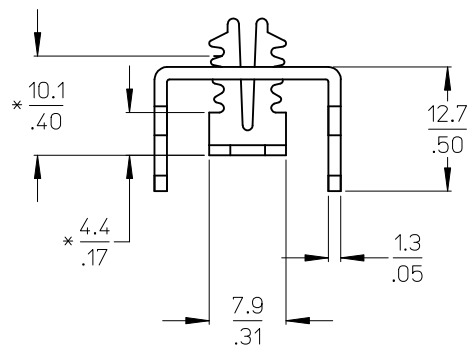
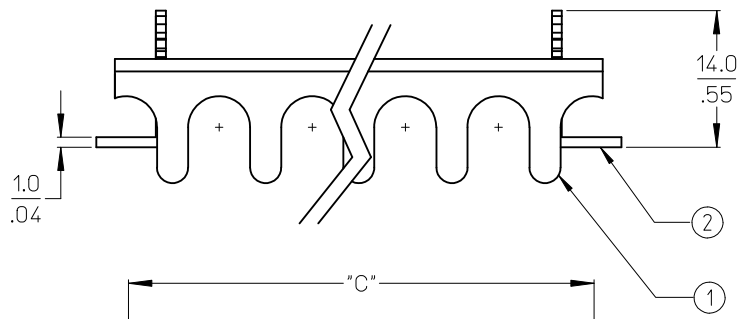
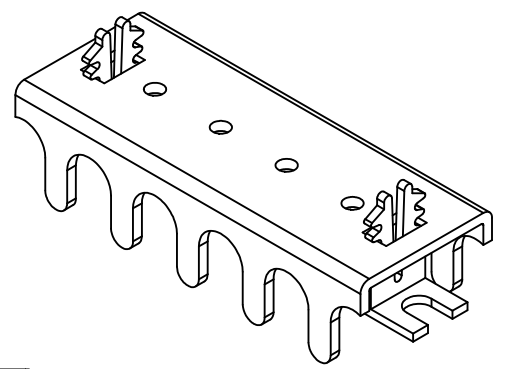
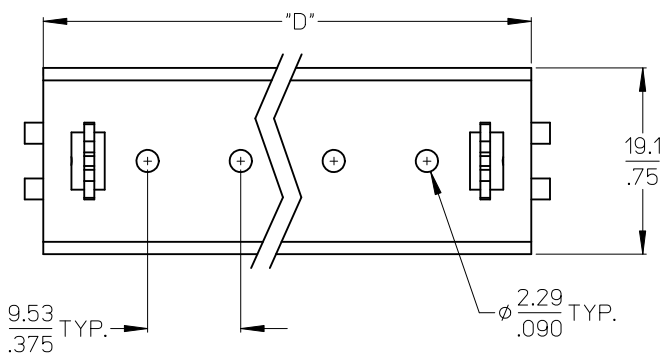
Contact us

Tel: +86-755-8981 8866 Fax: +86-755-8427 6832

Email & Skype: info@chipsmall.com Web: www.chipsmall.com

Address: A1208, Overseas Decoration Building, #122 Zhenhua RD., Futian, Shenzhen, China





- NOTES:
1. MATERIAL: SEE TABLE.
 2. FINISHES: SEE TABLE.
 3. PRODUCT SPECIFICATION: AS REQUIRED.
 4. "XX" REFERS TO THE QUANTITY OF CIRCUITS.
 5. (*) DIMENSIONS INDICATE MAX, AND MIN, COVER HEIGHT.
 6. ROHS COMPLIANT.

ITEM	QTY.	DESCRIPTION	MATERIAL	FINISH
2	2	COVER CLIPS AS MO	ACETAL	NATURAL
1	1	COVER WRAP-AROUND MO TH	PBT POLYESTER	BLACK

UPDATE DIM. A & D
 EC NO: WNA2011-0250
 DRAWN: JENC INAS 2010/11/09
 CHKD: JENC INAS
 APPR: JMACNEIL 2011/01/05
 DESCRIPTION

QUALITY SYMBOLS
 ▽=0
 ▽=0

GENERAL TOLERANCES (UNLESS SPECIFIED)

	mm	INCH
4 PLACES	± ---	± ---
3 PLACES	± ---	± .005
2 PLACES	± 0.13	± .01
1 PLACE	± 0.3	± ---

ANGULAR ± 2 °

DRAFT WHERE APPLICABLE MUST REMAIN WITHIN DIMENSIONS

DIMENSION STYLE
MM/IN

SCALE
2:1

DESIGN UNITS
INCH

THIRD ANGLE PROJECTION

DRAWN BY: JENC INAS
 DATE: 2008/05/13

CHECKED BY: CYORK
 DATE: 2008/05/14

APPROVED BY: JMACNEIL
 DATE: 2011/01/05

MATERIAL NO.
SEE SHEET 2

TITLE
COVER SR BTS KIT, WRAP-AROUND (CW01XX)

MOLEX INCORPORATED

DOCUMENT NO.
SD-38723-001

SHEET NO.
1 OF 2

THIS DRAWING CONTAINS INFORMATION THAT IS PROPRIETARY TO MOLEX INCORPORATED AND SHOULD NOT BE USED WITHOUT WRITTEN PERMISSION

Ⓟ

Ⓟ

NO. OF CIRCUITS	DIM. "A"		DIM. "C"		DIM. "D"		KIT MATERIAL
	mm	in	mm	in	mm	in	
02	34.7	1.37	28.58	1.125	30.7	1.21	387236702
03	44.2	1.74	38.10	1.500	40.3	1.59	387236703
04	53.7	2.12	47.63	1.875	49.8	1.96	387236704
05	63.2	2.49	57.15	2.250	59.3	2.34	387236705
06	72.8	2.87	66.68	2.625	68.8	2.71	387236706
07	82.3	3.24	76.20	3.000	78.4	3.09	387236707
08	91.8	3.62	85.73	3.375	87.9	3.46	387236708
09	101.3	3.99	95.25	3.750	97.4	3.84	387236709
10	110.9	4.37	104.78	4.125	106.9	4.21	387236710
11	120.4	4.74	114.30	4.500	116.5	4.59	387236711
12	129.9	5.12	123.83	4.875	126.0	4.96	387236712
13	139.4	5.49	133.35	5.250	135.5	5.34	387236713
14	149.0	5.87	142.88	5.625	145.0	5.71	387236714
15	158.5	6.24	152.40	6.000	154.6	6.09	387236715
16	168.0	6.62	161.93	6.375	164.1	6.46	387236716
17	177.5	6.99	171.45	6.750	173.6	6.84	387236717
18	187.1	7.37	180.98	7.125	183.1	7.21	387236718
19	196.6	7.74	190.50	7.500	192.7	7.59	387236719
20	206.1	8.12	200.03	7.875	202.2	7.96	387236720
21	215.6	8.49	209.55	8.250	211.7	8.34	387236721
22	225.2	8.87	219.08	8.625	221.2	8.71	387236722
23	234.7	9.24	228.60	9.000	230.8	9.09	387236723
24	244.2	9.62	238.13	9.375	240.3	9.46	387236724
25	253.7	9.99	247.65	9.750	249.8	9.84	387236725
26	263.3	10.37	257.18	10.125	259.3	10.21	387236726

SEE SHEET ONE EC NO: WNA2011-0250 DRAWN: JENCINAS 2010/11/09 CHKD: APPR: JMACNEIL 2011/01/05 REV B	QUALITY SYMBOLS ▽=0 ▽=0	GENERAL TOLERANCES (UNLESS SPECIFIED) mm INCH 4 PLACES ± --- ± --- 3 PLACES ± --- ± .005 2 PLACES ± 0.13 ± .01 1 PLACE ± 0.3 ± --- ANGULAR ± 2°	DIMENSION STYLE MM/IN DRAWN BY DATE JENCINAS 2008/05/13 CHECKED BY DATE CYORK 2008/05/14 APPROVED BY DATE JMACNEIL 2011/01/05	SCALE 2:1 DESIGN UNITS INCH THIRD ANGLE PROJECTION	TITLE COVER SR BTS KIT, WRAP-AROUND (CW01XX)
	DRAFT WHERE APPLICABLE MUST REMAIN WITHIN DIMENSIONS		MATERIAL NO. SEE CHART	MOLEX INCORPORATED DOCUMENT NO. SD-38723-001	SHEET NO. 2 OF 2
	THIS DRAWING CONTAINS INFORMATION THAT IS PROPRIETARY TO MOLEX INCORPORATED AND SHOULD NOT BE USED WITHOUT WRITTEN PERMISSION				
	SIZE B				