



Chipsmall Limited consists of a professional team with an average of over 10 year of expertise in the distribution of electronic components. Based in Hongkong, we have already established firm and mutual-benefit business relationships with customers from,Europe,America and south Asia,supplying obsolete and hard-to-find components to meet their specific needs.

With the principle of "Quality Parts,Customers Priority,Honest Operation,and Considerate Service",our business mainly focus on the distribution of electronic components. Line cards we deal with include Microchip,ALPS,ROHM,Xilinx,Pulse,ON,Everlight and Freescale. Main products comprise IC,Modules,Potentiometer,IC Socket,Relay,Connector.Our parts cover such applications as commercial,industrial, and automotives areas.

We are looking forward to setting up business relationship with you and hope to provide you with the best service and solution. Let us make a better world for our industry!



Contact us

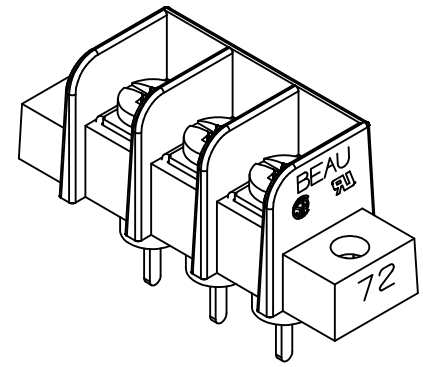
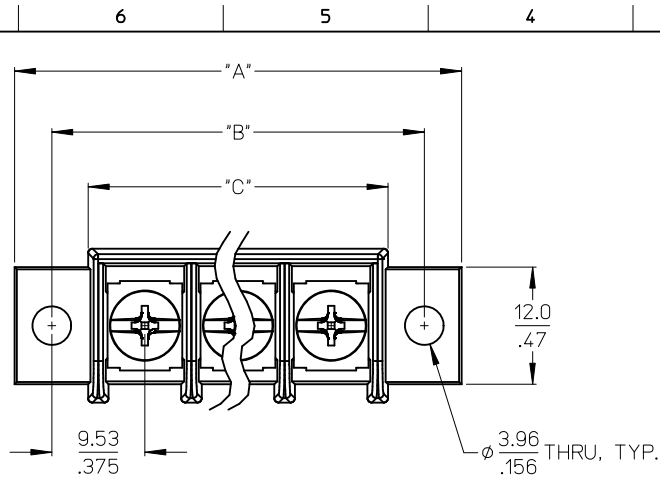
Tel: +86-755-8981 8866 Fax: +86-755-8427 6832

Email & Skype: info@chipsmall.com Web: www.chipsmall.com

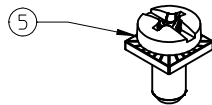
Address: A1208, Overseas Decoration Building, #122 Zhenhua RD., Futian, Shenzhen, China



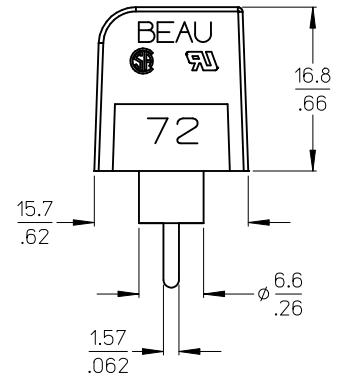
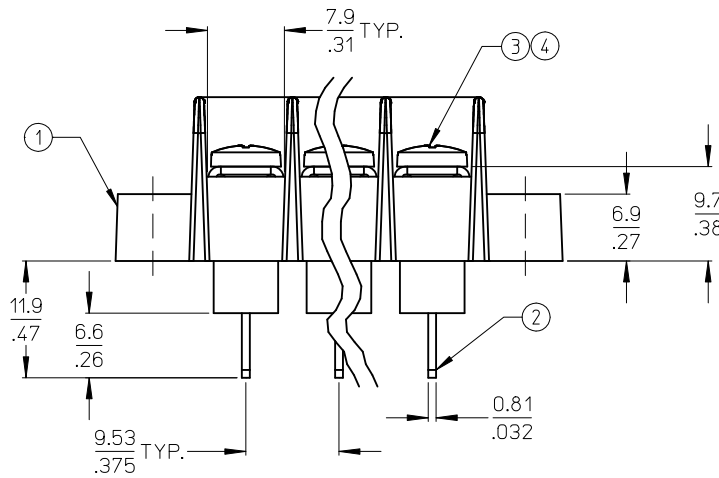
NO. OF CIRCUITS	DIM. "A"		DIM. "B"		DIM. "C"		ASSEMBLY MATERIAL NO. (STANDARD)	ASSEMBLY MATERIAL NO. (-49 OPT)	ASSEMBLY MATERIAL NO. (-50 OPT)
	mm	in	mm	in	mm	in			
02	36.2	1.43	28.6	1.13	21.1	0.83	387243002	387243202	387243402
03	45.7	1.80	38.1	1.50	30.7	1.21	387243003	387243203	387243403
04	55.2	2.18	47.6	1.88	40.2	1.58	387243004	387243204	387243404
05	64.8	2.55	57.2	2.25	49.7	1.96	387243005	387243205	387243405
06	74.3	2.93	66.7	2.63	59.2	2.33	387243006	387243206	387243406
07	83.8	3.30	76.2	3.00	68.8	2.71	387243007	387243207	387243407
08	93.3	3.68	85.7	3.38	78.3	3.08	387243008	387243208	387243408
09	102.9	4.05	95.3	3.75	87.8	3.46	387243009	387243209	387243409
10	112.4	4.43	104.8	4.13	97.3	3.83	387243010	387243210	387243410
11	121.9	4.80	114.3	4.50	106.9	4.21	387243011	387243211	387243411
12	131.4	5.18	123.8	4.88	116.4	4.58	387243012	387243212	387243412
13	141.0	5.55	133.4	5.25	125.9	4.96	387243013	387243213	387243413



3 CIRCUIT SHOWN



REF. -50 OPT. SCREW (WHERE APPLICABLE)



NOTES:

1. MATERIAL: SEE TABLE
2. "XX" REFERS TO THE QUANTITY OF CIRCUIT POSITIONS.
3. ROHS COMPLIANT.

ITEM	QTY.	DESCRIPTION	MATERIAL	FINISH
5	XX	SCRW&WSHR, #6-32X.25, PAN,PH-SL,(-50 OPT)	STEEL	ZN, CLEAR CHROMATE
4	XX	SCREW, #6-32X.250, BHD PH/SL (-49 OPT)	BRASS	NICKEL PLATE
3	XX	SCREW, #6-32X.250, BHD PH/SL (STANDARD)	STEEL	ZN, CLEAR CHROMATE
2	XX	TERMINAL, WW, #6-32	BRASS	TIN PLATE
1	1	INSULATOR, CS INSL.	POLYESTER (PBT)	BLACK

RELEASED
 EC NO: IPG2012-0886
 DRAWN: ENC INAS 2012/04/13
 CHKD: JMACNEIL
 APPR: JMACNEIL 2012/05/15
 DESCRIPTION

QUALITY SYMBOLS
 ▽=0
 ▽=0

GENERAL TOLERANCES (UNLESS SPECIFIED)
 4 PLACES ± --- ± ---
 3 PLACES ± --- ± .005
 2 PLACES ± 0.13 ± .01
 1 PLACE ± 0.3 ± ---
 ANGULAR ± 2°
 DRAFT WHERE APPLICABLE
 MUST REMAIN WITHIN DIMENSIONS

DIMENSION STYLE
MM/IN
 DRAWN BY C. YORK DATE 2006/05/19
 CHECKED BY JMACNEIL DATE 2012/04/12
 APPROVED BY JMACNEIL DATE 2012/05/15

SCALE 2:1
 DESIGN UNITS INCH
 THIRD ANGLE PROJECTION
 TITLE 9.53/.375" SR BTS, CS, INSULATED PC ASSY
 MOLEX INCORPORATED
 MATERIAL NO. SEE CHART DOCUMENT NO. SD-38724-003 SHEET NO. 1 OF 1
 THIS DRAWING CONTAINS INFORMATION THAT IS PROPRIETARY TO MOLEX INCORPORATED AND SHOULD NOT BE USED WITHOUT WRITTEN PERMISSION