



Chipsmall Limited consists of a professional team with an average of over 10 year of expertise in the distribution of electronic components. Based in Hongkong, we have already established firm and mutual-benefit business relationships with customers from,Europe,America and south Asia,supplying obsolete and hard-to-find components to meet their specific needs.

With the principle of “Quality Parts,Customers Priority,Honest Operation,and Considerate Service”,our business mainly focus on the distribution of electronic components. Line cards we deal with include Microchip,ALPS,ROHM,Xilinx,Pulse,ON,Everlight and Freescale. Main products comprise IC,Modules,Potentiometer,IC Socket,Relay,Connector.Our parts cover such applications as commercial,industrial, and automotives areas.

We are looking forward to setting up business relationship with you and hope to provide you with the best service and solution. Let us make a better world for our industry!



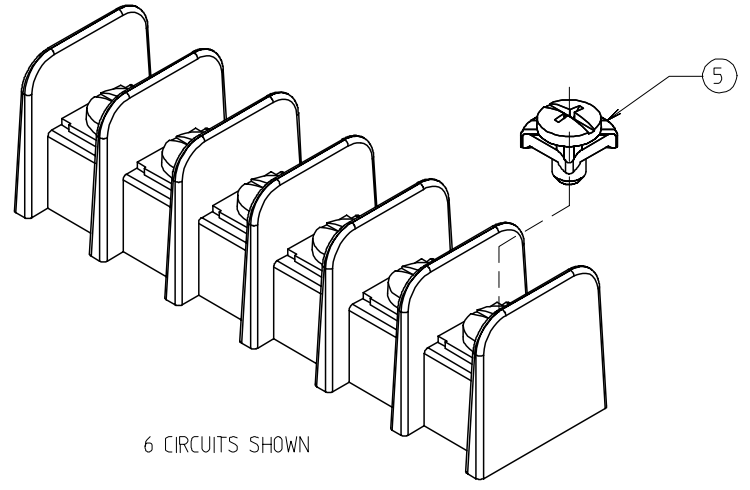
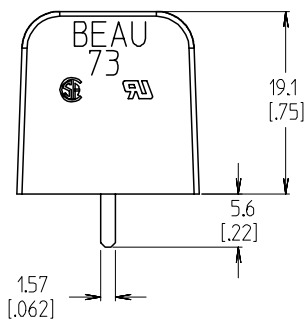
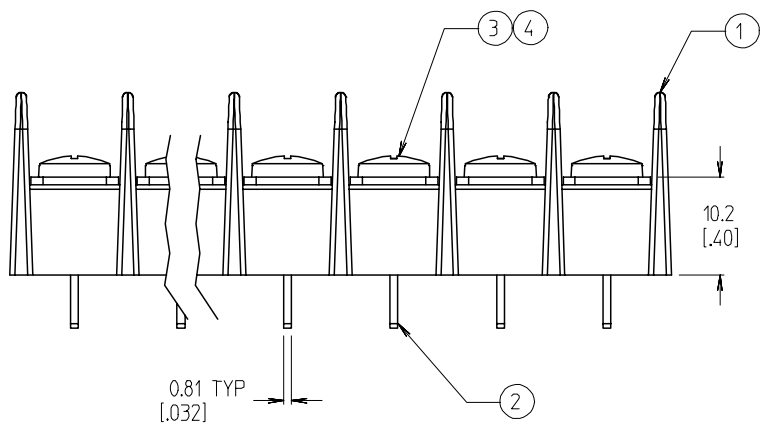
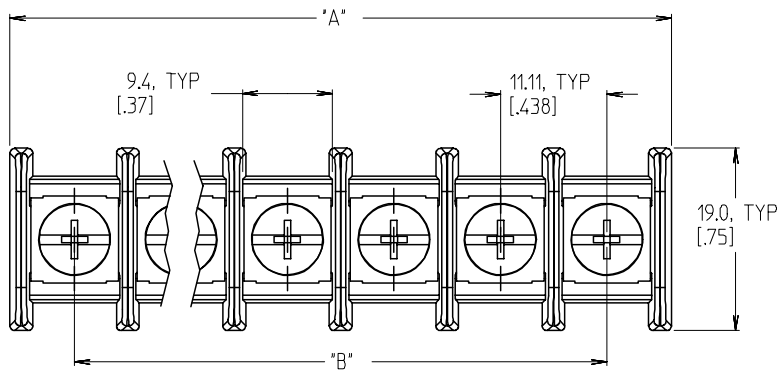
Contact us

Tel: +86-755-8981 8866 Fax: +86-755-8427 6832

Email & Skype: info@chipsmall.com Web: www.chipsmall.com

Address: A1208, Overseas Decoration Building, #122 Zhenhua RD., Futian, Shenzhen, China





6 CIRCUITS SHOWN

- NOTES:
1. MATERIAL: SEE TABLE
 2. INCH DIMENSIONS ARE SHOWN IN BRACKETS [XXX].
 3. *XX* REFERS TO THE NUMBER OF CIRCUITS.
 4. ALL COMPONENTS ARE ROHS COMPLIANT.

ITEM	QTY	DESCRIPTION	MATERIAL	FINISH
5	XX	#6-32 SCREW W/ WASHER (OPT -50)	STEEL	ZINC CLEAR CHROMATE
4	XX	#6-32 SCREW (OPT -49)	BRASS	NICKEL
3	XX	#6-32 SCREW (STD)	STEEL	ZINC CLEAR CHROMATE
2	XX	#6-32 TERMINAL, PC STYLE	BRASS	TIN
1	1	INSULATOR, SR, NO MTG	THERMOPLASTIC	BLACK

INITIAL RELEASE
 EC NO: ETC2007-0073
 DRW: NEHLE 2006/09/28
 CHKD: JMACNEIL 2006/09/28
 APPR: JMACNEIL 2006/09/28

QUALITY SYMBOLS
 ▽=0
 ▽=0

GENERAL TOLERANCES (UNLESS SPECIFIED)	
	MM/IN
4 PLACES	± .005 / ± .005
3 PLACES	± .01 / ± .005
2 PLACES	± 0.13 / ± .01
1 PLACE	± 0.3 / ± .01
ANGULAR ± 2 °	

DIMENSION STYLE	
MM/IN	
DRAWN BY	DATE
EHILE	2006/08/24
CHECKED BY	DATE
JMACNEIL	2006/08/24
APPROVED BY	DATE
JMACNEIL	2006/08/24
MATERIAL NO.	DOCUMENT NO.
SEE CHART	SD-38730-003

SCALE	DESIGN UNITS	THIRD ANGLE PROJECTION
2:1	INCH	☑
TITLE		
11.11 [.438] SR BTS ASY, PC TERMINAL, NO MTG, -C		
MATERIAL NO. DATE		
MOLEX INCORPORATED		
DOCUMENT NO.		SHEET NO.
SD-38730-003		1 OF 2
SIZE B THIS DRAWING CONTAINS INFORMATION THAT IS PROPRIETARY TO MOLEX INCORPORATED AND SHOULD NOT BE USED WITHOUT WRITTEN PERMISSION		

NO. OF CIRCUITS "XX"	DIM. "A"		DIM. "B"		ASSEMBLY MATERIAL NO. (-C OPT)	ASSEMBLY MATERIAL NO. (-C-49 OPT)	ASSEMBLY MATERIAL NO. (-C-50 OPT)
	mm	INCH	mm	INCH			
02	24.5	0.97	11.11	0.438	387306302	387306902	387307502
03	35.7	1.40	22.23	0.875	387306303	387306903	387307503
04	46.8	1.84	33.34	1.313	387306304	387306904	387307504
05	57.9	2.28	44.45	1.750	387306305	387306905	387307505
06	69.0	2.72	55.56	2.188	387306306	387306906	387307506
07	80.1	3.15	66.68	2.625	387306307	387306907	387307507
08	91.2	3.59	77.79	3.063	387306308	387306908	387307508
09	102.3	4.03	88.90	3.500	387306309	387306909	387307509
10	113.4	4.47	100.01	3.938	387306310	387306910	387307510
11	124.6	4.90	111.13	4.375	387306311	387306911	387307511
12	135.7	5.34	122.24	4.813	387306312	387306912	387307512
13	146.8	5.78	133.35	5.250	387306313	387306913	387307513
14	157.9	6.22	144.46	5.688	387306314	387306914	387307514
15	169.0	6.65	155.58	6.125	387306315	387306915	387307515
16	180.1	7.09	166.69	6.563	387306316	387306916	387307516
17	191.2	7.53	177.80	7.000	387306317	387306917	387307517
18	202.3	7.97	188.91	7.438	387306318	387306918	387307518
19	213.5	8.40	200.03	7.875	387306319	387306919	387307519
20	224.6	8.84	211.14	8.313	387306320	387306920	387307520
21	235.7	9.28	222.25	8.750	387306321	387306921	387307521
22	246.8	9.72	233.36	9.188	387306322	387306922	387307522
23	257.9	10.15	244.48	9.625	387306323	387306923	387307523
24	269.0	10.59	255.59	10.063	387306324	387306924	387307524
25	280.1	11.03	266.70	10.500	387306325	387306925	387307525
26	291.2	11.47	277.81	10.938	387306326	387306926	387307526
27	302.4	11.90	288.93	11.375	387306327	387306927	387307527
28	313.5	12.34	300.04	11.813	387306328	387306928	387307528
29	324.6	12.78	311.15	12.250	387306329	387306929	387307529
30	335.7	13.22	322.26	12.688	387306330	387306930	387307530

INITIAL RELEASE EC NO: ETC2007-0073 DRW: EHILE 2006/09/28 CHKD: JMACNEIL 2006/09/28 APPR: JMACNEIL 2006/09/29	DESCRIPTION A	QUALITY SYMBOLS ▽=0 ▽=0	GENERAL TOLERANCES (UNLESS SPECIFIED) mm INCH 4 PLACES ± --- ± --- 3 PLACES ± --- ± .005 2 PLACES ± 0.13 ± .01 1 PLACE ± 0.3 ± --- ANGULAR ± 2 °	DIMENSION STYLE MM/IN DRAWN BY DATE EHILE 2006/08/24 CHECKED BY DATE JMACNEIL 2006/08/24 APPROVED BY DATE JMACNEIL 2006/08/24	SCALE 2:1 DESIGN UNITS INCH THIRD ANGLE PROJECTION	TITLE 11.11 [.438] SR BTS ASY, PC TERMINAL, NO MTG, -C
		DRAFT WHERE APPLICABLE MUST REMAIN WITHIN DIMENSIONS	MATERIAL NO. SEE CHART	DOCUMENT NO. SD-38730-003	SHEET NO. 2 OF 2	
		SIZE B	THIS DRAWING CONTAINS INFORMATION THAT IS PROPRIETARY TO MOLEX INCORPORATED AND SHOULD NOT BE USED WITHOUT WRITTEN PERMISSION			
		MOLEX INCORPORATED				