



Chipsmall Limited consists of a professional team with an average of over 10 year of expertise in the distribution of electronic components. Based in Hongkong, we have already established firm and mutual-benefit business relationships with customers from,Europe,America and south Asia,supplying obsolete and hard-to-find components to meet their specific needs.

With the principle of "Quality Parts,Customers Priority,Honest Operation,and Considerate Service",our business mainly focus on the distribution of electronic components. Line cards we deal with include Microchip,ALPS,ROHM,Xilinx,Pulse,ON,Everlight and Freescale. Main products comprise IC,Modules,Potentiometer,IC Socket,Relay,Connector.Our parts cover such applications as commercial,industrial, and automotives areas.

We are looking forward to setting up business relationship with you and hope to provide you with the best service and solution. Let us make a better world for our industry!



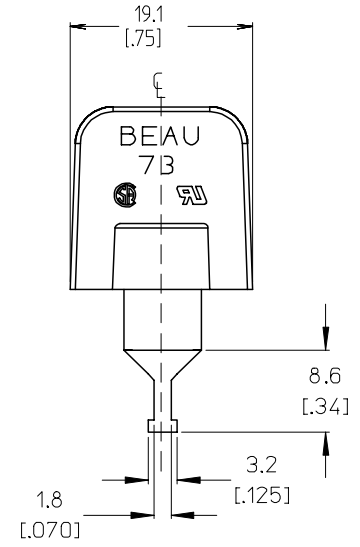
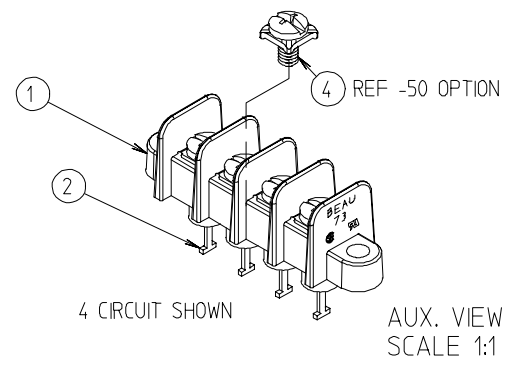
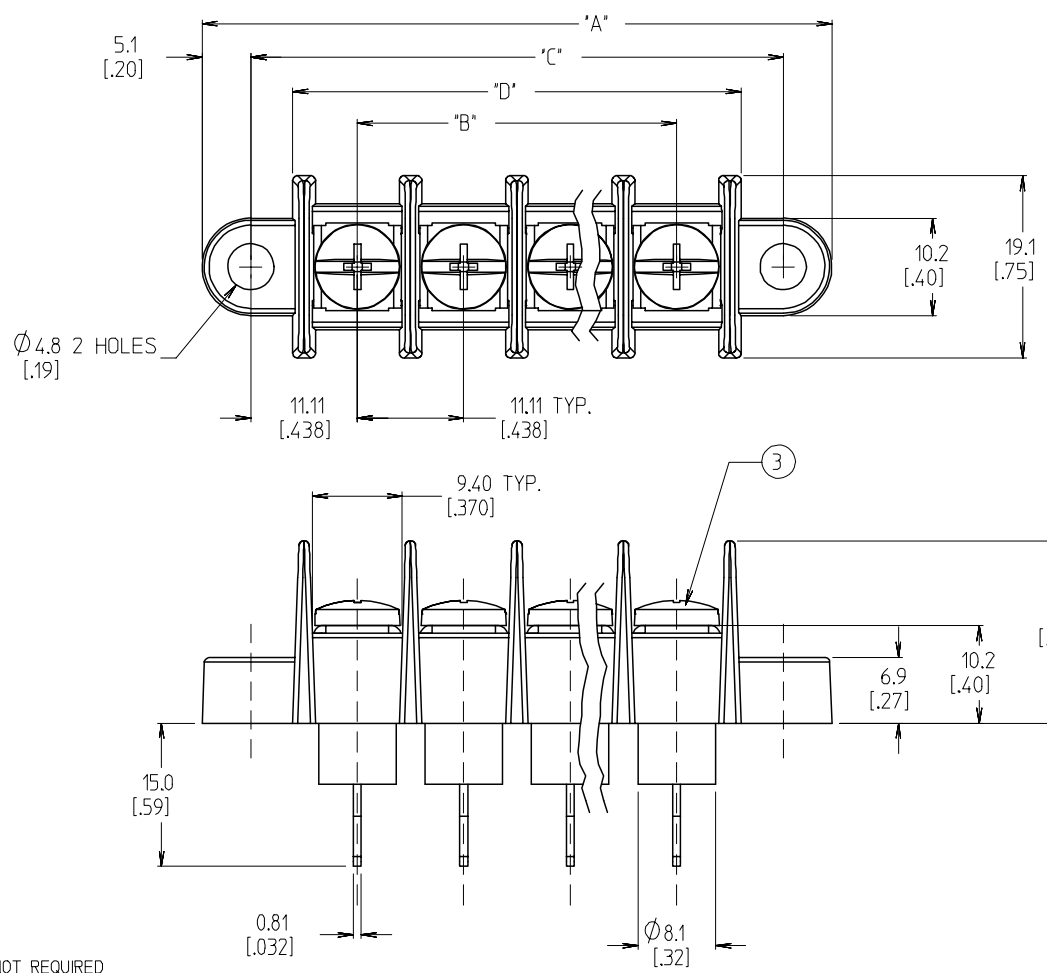
Contact us

Tel: +86-755-8981 8866 Fax: +86-755-8427 6832

Email & Skype: info@chipsmall.com Web: www.chipsmall.com

Address: A1208, Overseas Decoration Building, #122 Zhenhua RD., Futian, Shenzhen, China





- NOTES:
1. MATERIAL: SEE DETAILS
 2. FINISHES: SEE DETAILS
 3. PRODUCT SPECIFICATION: NOT REQUIRED
 4. INCH DIMENSIONS ARE SHOWN IN BRACKETS [XXX].
 5. "XX" REFERS TO QUANTITY OF CIRCUITS
 6. ALL COMPONENTS ARE ROHS COMPLIANT.

ITEM	QTY	DESCRIPTION	MATERIAL	FINISH
4	XX	SCREW, #8-32X.250 PAN PH-SL W/SO WASHER (-A-50 OPT)	STEEL	ZINC, CLEAR CHROMATE
3	XX	SCREW, #8-32 X.290 BINDING HEAD PHIL-SLOT (-A OPT)	BRASS	NICKEL
2	XX	TERMINAL, TT 8-32 SN/B	BRASS	TIN
1	1	INSULATOR, MOLDED MTG, INSUL. BASE	THERMOPLASTIC	BLACK

INITIAL RELEASE	QUALITY SYMBOLS
EC NO: ETC2006-0503	▽=0
DRW:NEHLE 2006/07/17	▽=0
CHKD:JMACNEIL 2006/07/19	
APPR:RDEROSS 2006/07/20	
DESCRIPTION	
REV	

GENERAL TOLERANCES (UNLESS SPECIFIED)	
mm	INCH
4 PLACES ± ---	± ---
3 PLACES ± ---	± .005
2 PLACES ± 0.13	± .01
1 PLACE ± 0.3	± ---
ANGULAR ± 2 °	
DRAFT WHERE APPLICABLE MUST REMAIN WITHIN DIMENSIONS	

DIMENSION STYLE	
MM/IN	
DRAWN BY	DATE
EHILE	2006/06/22
CHECKED BY	DATE
JMACNEIL	2006/06/22
APPROVED BY	DATE
RDEROSS	2006/06/22
MATERIAL NO.	
SEE CHART	

SCALE	DESIGN UNITS	THIRD ANGLE PROJECTION
2:1	INCH	
TITLE		
11.11MM [.438] SR BTS, INSUL TURRET, ASSY, OVERSIZED SCREW, -A		
MATERIAL NO.		SHEET NO.
SEE CHART		1 OF 2
DOCUMENT NO.		
SD-38731-002		
THIS DRAWING CONTAINS INFORMATION THAT IS PROPRIETARY TO MOLEX INCORPORATED AND SHOULD NOT BE USED WITHOUT WRITTEN PERMISSION		

NO. OF CIRCUITS "XX"	DIM. "A"		DIM. "B"		DIM. "C"		DIM. "D"		ASSEMBLY MATERIAL NO. (-A OPTION)	ASSEMBLY MATERIAL NO. (-A-50 OPTION)
	mm	INCH	mm	INCH	mm	INCH	mm	INCH		
02	43.5	1.71	11.11	0.438	33.34	1.313	24.5	0.97	387318902	387319102
03	54.6	2.15	22.23	0.875	44.45	1.750	35.7	1.40	387318903	387319103
04	65.7	2.59	33.34	1.313	55.56	2.188	46.8	1.84	387318904	387319104
05	76.8	3.03	44.45	1.750	66.68	2.625	57.9	2.28	387318905	387319105
06	87.9	3.46	55.56	2.188	77.79	3.063	69.0	2.72	387318906	387319106
07	99.1	3.90	66.68	2.625	88.90	3.500	80.1	3.15	387318907	387319107
08	110.2	4.34	77.79	3.063	100.01	3.938	91.2	3.59	387318908	387319108
09	121.3	4.78	88.90	3.500	111.13	4.375	102.3	4.03	387318909	387319109
10	132.4	5.21	100.01	3.938	122.24	4.813	113.4	4.47	387318910	387319110
11	143.5	5.65	111.13	4.375	133.35	5.250	124.6	4.90	387318911	387319111
12	154.6	6.09	122.24	4.813	144.46	5.688	135.7	5.34	387318912	387319112
13	165.7	6.53	133.35	5.250	155.58	6.125	146.8	5.78	387318913	387319113
14	176.8	6.96	144.46	5.688	166.69	6.563	157.9	6.22	387318914	387319114
15	188.0	7.40	155.58	6.125	177.80	7.000	169.0	6.65	387318915	387319115
16	199.1	7.84	166.69	6.563	188.91	7.438	180.1	7.09	387318916	387319116
17	210.2	8.28	177.80	7.000	200.03	7.875	191.2	7.53	387318917	387319117
18	221.3	8.71	188.91	7.438	211.14	8.313	202.3	7.97	387318918	387319118
19	232.4	9.15	200.03	7.875	222.25	8.750	213.5	8.40	387318919	387319119
20	243.5	9.59	211.14	8.313	233.36	9.188	224.6	8.84	387318920	387319120
21	254.6	10.03	222.25	8.750	244.48	9.625	235.7	9.28	387318921	387319121
22	265.7	10.46	233.36	9.188	255.59	10.063	246.8	9.72	387318922	387319122
23	276.9	10.90	244.48	9.625	266.70	10.500	257.9	10.15	387318923	387319123
24	288.0	11.34	255.59	10.063	277.81	10.938	269.0	10.59	387318924	387319124
25	299.1	11.78	266.70	10.500	288.93	11.375	280.1	11.03	387318925	387319125
26	310.2	12.21	277.81	10.938	300.04	11.813	291.2	11.47	387318926	387319126
27	321.3	12.65	288.93	11.375	311.15	12.250	302.4	11.90	387318927	387319127
28	332.4	13.09	300.04	11.813	322.26	12.688	313.5	12.34	387318928	387319128
29	343.5	13.53	311.15	12.250	333.38	13.125	324.6	12.78	387318929	387319129
30	354.6	13.96	322.26	12.688	344.49	13.563	335.7	13.22	387318930	387319130

INITIAL RELEASE EC NO: ETC2006-0503 DRW:EHILE 2006/07/17 CHKD:JMACEIL 2006/07/19 APPR:RDEROSS 2006/07/20	DESCRIPTION A	QUALITY SYMBOLS ▽=0 ▽=0	GENERAL TOLERANCES (UNLESS SPECIFIED)		DIMENSION STYLE MM/IN		SCALE 2:1	DESIGN UNITS INCH	THIRD ANGLE PROJECTION		
							DRAWN BY EHILE		DATE 2006/06/22		TITLE 11.1MM [.438] SR BTS, INSUL TURRET, ASSY, OVERSIZED SCREW, -A
							CHECKED BY JMACEIL		DATE 2006/06/22		
							APPROVED BY RDEROSS		DATE 2006/06/22		MATERIAL NO. MOLEX INCORPORATED
DRAFT WHERE APPLICABLE MUST REMAIN WITHIN DIMENSIONS					SEE CHART		DOCUMENT NO. SD-38731-002		SHEET NO. 2 OF 2		
THIS DRAWING CONTAINS INFORMATION THAT IS PROPRIETARY TO MOLEX INCORPORATED AND SHOULD NOT BE USED WITHOUT WRITTEN PERMISSION											