



Chipsmall Limited consists of a professional team with an average of over 10 year of expertise in the distribution of electronic components. Based in Hongkong, we have already established firm and mutual-benefit business relationships with customers from,Europe,America and south Asia,supplying obsolete and hard-to-find components to meet their specific needs.

With the principle of “Quality Parts,Customers Priority,Honest Operation,and Considerate Service”,our business mainly focus on the distribution of electronic components. Line cards we deal with include Microchip,ALPS,ROHM,Xilinx,Pulse,ON,Everlight and Freescale. Main products comprise IC,Modules,Potentiometer,IC Socket,Relay,Connector.Our parts cover such applications as commercial,industrial, and automotives areas.

We are looking forward to setting up business relationship with you and hope to provide you with the best service and solution. Let us make a better world for our industry!



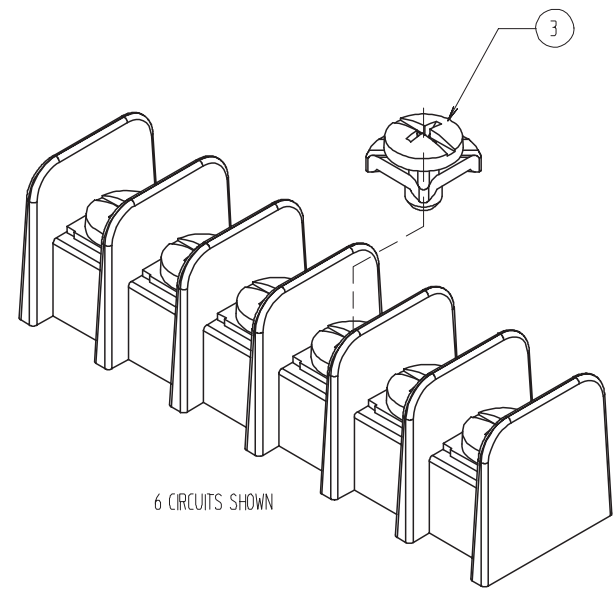
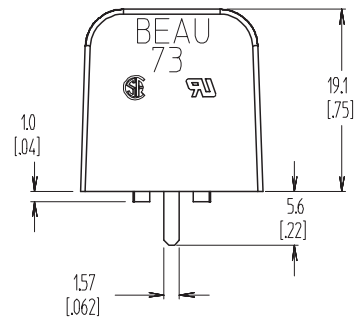
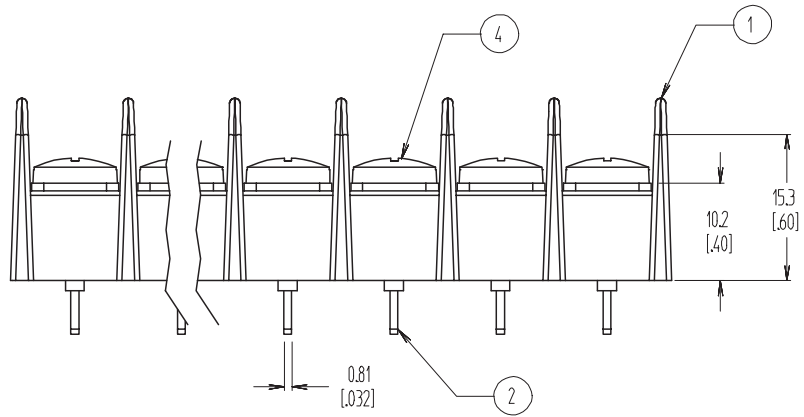
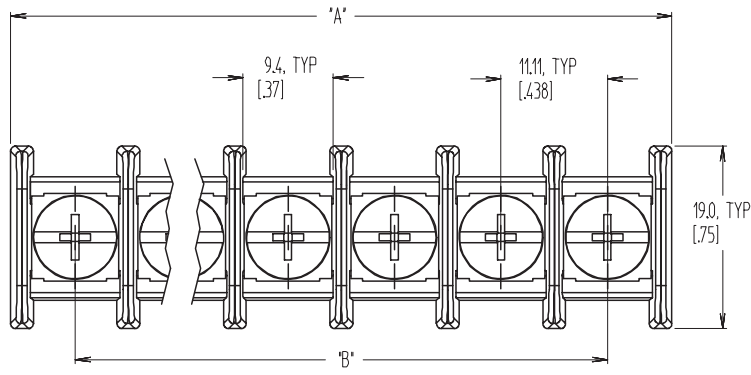
Contact us

Tel: +86-755-8981 8866 Fax: +86-755-8427 6832

Email & Skype: info@chipsmall.com Web: www.chipsmall.com

Address: A1208, Overseas Decoration Building, #122 Zhenhua RD., Futian, Shenzhen, China





- NOTES:
1. MATERIAL: SEE TABLE
 2. INCH DIMS ARE SHOWN IN BRACKETS [XXX].
 3. 'XX' REFERS TO THE NUMBER OF CIRCUITS.
 4. -A-58 SCREW OPTION: DO NOT SUPPLY SCREWS WITH FINAL ASSEMBLY.

ITEM	QTY.	DESCRIPTION	MATERIAL NO.
4	XX	#8-32 SCREW (OPT -A)	380010209
3	XX	#8-32 SCREW W/WASH (OPT -A,-50)	380010213
2	XX	TERMINAL, PC, #8-32	380021408
1	1	INSULATOR, SR, CB NO MTG	SEE TABLE

INITIAL RELEASE
 EC NO: ETC2006-0353
 DRWNG: C.YORK 2006/04/18
 CHKD: R. DEROSS 2006/04/22
 APPR: R. DEROSS 2006/04/25

QUALITY SYMBOLS
 ▽=0
 ▽=0

GENERAL TOLERANCES (UNLESS SPECIFIED)

	mm	INCH
4 PLACES	± ---	± ---
3 PLACES	± ---	± .005
2 PLACES	± 0.13	± .01
1 PLACE	± 0.3	± ---

ANGULAR ± 2 °

DRAFT WHERE APPLICABLE
 MUST REMAIN WITHIN DIMENSIONS

DIMENSION STYLE
 MM/IN

DRAWN BY
 C. YORK

DATE
 2006/04/13

CHECKED BY
 R. DEROSS

DATE
 2006/04/13

APPROVED BY
 R. DEROSS

DATE
 2006/04/13

MATERIAL NO.
 SEE SHT. 2

SCALE
 2:1

DESIGN UNITS
 INCH

THIRD ANGLE PROJECTION

TITLE
 11.11 [.438] SR BTS ASY,
 PC TERM, NO MTG, W/PADS,
 OVERSIZED SCREW, -A-C-P

MOLEX INCORPORATED

DOCUMENT NO.
 SD-38732-003

SHEET NO.
 1 OF 2

THIS DRAWING CONTAINS INFORMATION THAT IS PROPRIETARY TO MOLEX INCORPORATED AND SHOULD NOT BE USED WITHOUT WRITTEN PERMISSION

# OF CIRCUITS "XX"	DIM. "A"		DIM. "B"		ASSEMBLY MATERIAL NO. (-A-C-P OPT)	ASSEMBLY MATERIAL NO. (-A-C-P-50 OPT)	ASSEMBLY MATERIAL NO. (-A-C-P-58 OPT)
	mm	in	mm	in			
02	24.5	0.97	11.11	0.438	387320202	387320402	
03	35.7	1.40	22.23	0.875	387320203	387320403	
04	46.8	1.84	33.34	1.313	387390472	387320404	
05	57.9	2.28	44.45	1.750	387390412	387390160	387390162
06	69.0	2.72	55.56	2.188	387320206	387320406	
07	80.1	3.15	66.68	2.625	387320207	387320407	
08	91.2	3.59	77.79	3.063	387320208	387320408	
09	102.3	4.03	88.90	3.500	387320209	387320409	
10	113.4	4.47	100.01	3.938	387320210	387320410	
11	124.6	4.90	111.13	4.375	387320211	387390578	387390338
12	135.7	5.34	122.24	4.813	387320212	387320412	
13	146.8	5.78	133.35	5.250	387320213	387320413	
14	157.9	6.22	144.46	5.688	387320214	387320414	
15	169.0	6.65	155.58	6.125	387320215	387320415	
16	180.1	7.09	166.69	6.563	387320216	387320416	
17	191.2	7.53	177.80	7.000	387320217	387320417	
18	202.3	7.97	188.91	7.438	387320218	387320418	
19	213.5	8.40	200.03	7.875	387320219	387320419	
20	224.6	8.84	211.14	8.313	387320220	387320420	
21	235.7	9.28	222.25	8.750	387320221	387320421	
22	246.8	9.72	233.36	9.188	387320222	387320422	
23	257.9	10.15	244.48	9.625	387320223	387320423	
24	269.0	10.59	255.59	10.063	387320224	387320424	
25	280.1	11.03	266.70	10.500	387320225	387320425	
26	291.2	11.47	277.81	10.938	387320226	387320426	
27	302.4	11.90	288.93	11.375	387320227	387320427	
28	313.5	12.34	300.04	11.813	387320228	387320428	
29	324.6	12.78	311.15	12.250	387320229	387320429	
30	335.7	13.22	322.26	12.688	387320230	387320430	

SEE SHEET 1 EC NO: ETC2006-0353 DRWN: CYORK 2006/04/18 CHKD: RDEROSS 2006/04/22 APPR: RDEROSS 2006/04/25 A	QUALITY SYMBOLS ▽=0 ▽=0	GENERAL TOLERANCES (UNLESS SPECIFIED)		DIMENSION STYLE	SCALE	DESIGN UNITS	THIRD ANGLE PROJECTION		
				MM/IN	2:1	INCH			
		4 PLACES ± --- ± ---	3 PLACES ± --- ± .005	2 PLACES ± 0.13 ± .01	1 PLACE ± 0.3 ± ---	DRAWN BY	DATE	TITLE	
		ANGULAR ± 2 °				C. YORK	2006/04/13	11.11 [.438] SR BTS ASY, PC TERM, NO MTG, W/PADS, OVERSIZED SCREW, -A-C-P	
		DRAFT WHERE APPLICABLE MUST REMAIN WITHIN DIMENSIONS		CHECKED BY	DATE	MOLEX INCORPORATED			
				R. DEROSS	2006/04/13	SD-38732-003			
				APPROVED BY	DATE	SHEET NO.			
				R. DEROSS	2006/04/13	2 OF 2			
				MATERIAL NO.	THIS DRAWING CONTAINS INFORMATION THAT IS PROPRIETARY TO MOLEX INCORPORATED AND SHOULD NOT BE USED WITHOUT WRITTEN PERMISSION				
				SEE CHART					