



Chipsmall Limited consists of a professional team with an average of over 10 year of expertise in the distribution of electronic components. Based in Hongkong, we have already established firm and mutual-benefit business relationships with customers from,Europe,America and south Asia,supplying obsolete and hard-to-find components to meet their specific needs.

With the principle of "Quality Parts,Customers Priority,Honest Operation,and Considerate Service",our business mainly focus on the distribution of electronic components. Line cards we deal with include Microchip,ALPS,ROHM,Xilinx,Pulse,ON,Everlight and Freescale. Main products comprise IC,Modules,Potentiometer,IC Socket,Relay,Connector.Our parts cover such applications as commercial,industrial, and automotives areas.

We are looking forward to setting up business relationship with you and hope to provide you with the best service and solution. Let us make a better world for our industry!



Contact us

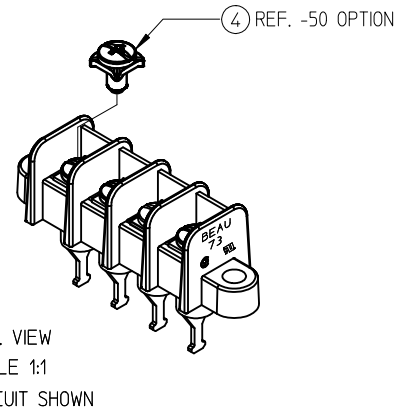
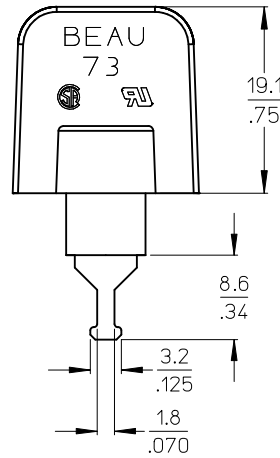
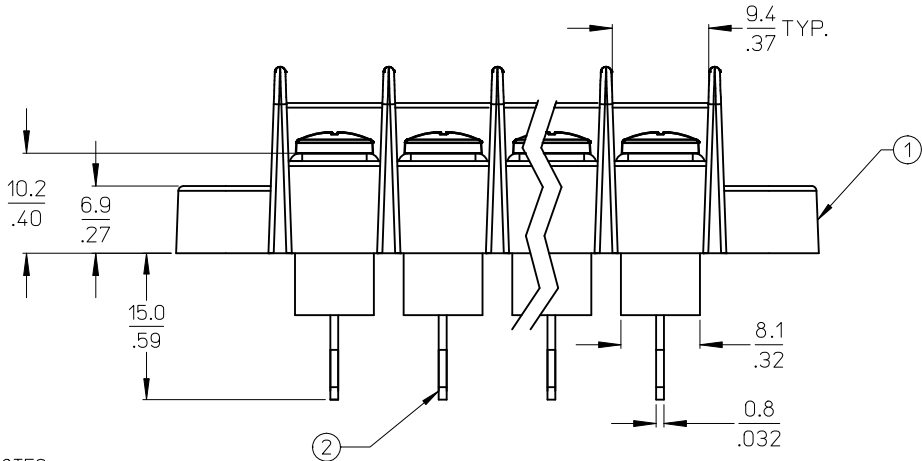
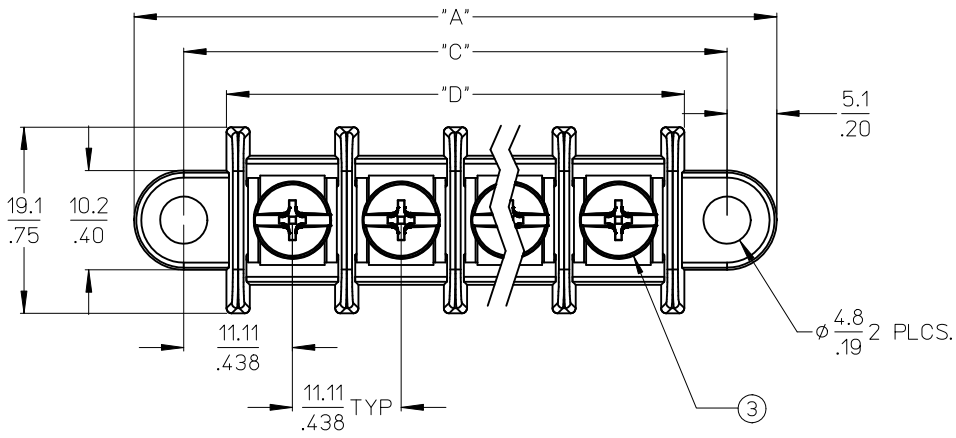
Tel: +86-755-8981 8866 Fax: +86-755-8427 6832

Email & Skype: info@chipsmall.com Web: www.chipsmall.com

Address: A1208, Overseas Decoration Building, #122 Zhenhua RD., Futian, Shenzhen, China



NO. OF CIRCUITS "XX"	DIM. "A"		DIM. "C"		DIM. "D"		ASSEMBLY MATERIAL NO. (-A OPTION)	ASSEMBLY MATERIAL NO. (-A-50 OPTION)
	mm	INCH	mm	INCH	mm	INCH		
2	43.5	1.71	33.34	1.313	24.5	0.97	387352802	387353002
3	54.6	2.15	44.45	1.750	35.7	1.40	387352803	387353003
4	65.7	2.59	55.56	2.188	46.8	1.84	387352804	387353004
5	76.8	3.03	66.68	2.625	57.9	2.28	387352805	387353005
6	87.9	3.46	77.79	3.063	69.0	2.72	387352806	387353006
7	99.1	3.90	88.90	3.500	80.1	3.15	387352807	387353007
8	110.2	4.34	100.01	3.938	91.2	3.59	387352808	387353008
9	121.3	4.78	111.13	4.375	102.3	4.03	387352809	387353009
10	132.4	5.21	122.24	4.813	113.4	4.47	387352810	387353010
11	143.5	5.65	133.35	5.250	124.6	4.90	387352811	387353011
12	154.6	6.09	144.46	5.688	135.7	5.34	387352812	387353012
13	165.7	6.53	155.58	6.125	146.8	5.78	387352813	387353013
14	176.8	6.96	166.69	6.563	157.9	6.22	387352814	387353014
15	188.0	7.40	177.80	7.000	169.0	6.65	387352815	387353015



- NOTES:
1. MATERIAL: SEE TABLE.
 2. FINISHES: SEE TABLE.
 3. PRODUCT SPECIFICATION: PS-38730-001.
 4. "XX" REFERS TO THE QUANTITY OF CIRCUITS.
 5. ROHS COMPLIANT.

ITEM	QTY.	DESCRIPTION	MATERIAL	FINISH
4	XX	SCREW AND WASHER, #8-32, PAN HEAD (-50 OPT)	STEEL	ZN, CLEAR CHROMATE
3	XX	SCREW, #8-32, BIND. HEAD (-A OPT)	BRASS	NICKEL PLATE
2	XX	TERMINAL, TURRET, #8-32	BRASS	TIN PLATE
1	1	CS INSULATOR, SINGLE ROW	POLYESTER (PBT)	BLACK

INITIAL RELEASE
 EC NO: WINA2010-0351
 DRWN: JENCINAS 2010/01/14
 CHKD: CLYORK 2010/01/27
 APPR: JMACNEIL 2010/01/27

QUALITY SYMBOLS
 ▼=0
 ▽=0

GENERAL TOLERANCES (UNLESS SPECIFIED)

	mm	INCH
4 PLACES	± .3	± .010
3 PLACES	± .3	± .005
2 PLACES	± 0.13	± .010
1 PLACE	± 0.3	± .010

ANGULAR ± 2°

DRAFT WHERE APPLICABLE MUST REMAIN WITHIN DIMENSIONS

DIMENSION STYLE
MM/IN

SCALE
2:1

DESIGN UNITS
INCH

THIRD ANGLE PROJECTION

DRAWN BY: JENCINAS DATE: 2010/01/14
 CHECKED BY: CLYORK DATE: 2010/01/14
 APPROVED BY: DATE:

MATERIAL NO. SEE CHART
 DOCUMENT NO. SD-38735-007
 SHEET NO. 1 OF 1

MOLEX INCORPORATED

THIS DRAWING CONTAINS INFORMATION THAT IS PROPRIETARY TO MOLEX INCORPORATED AND SHOULD NOT BE USED WITHOUT WRITTEN PERMISSION