



Chipsmall Limited consists of a professional team with an average of over 10 year of expertise in the distribution of electronic components. Based in Hongkong, we have already established firm and mutual-benefit business relationships with customers from,Europe,America and south Asia,supplying obsolete and hard-to-find components to meet their specific needs.

With the principle of “Quality Parts,Customers Priority,Honest Operation,and Considerate Service”,our business mainly focus on the distribution of electronic components. Line cards we deal with include Microchip,ALPS,ROHM,Xilinx,Pulse,ON,Everlight and Freescale. Main products comprise IC,Modules,Potentiometer,IC Socket,Relay,Connector.Our parts cover such applications as commercial,industrial, and automotives areas.

We are looking forward to setting up business relationship with you and hope to provide you with the best service and solution. Let us make a better world for our industry!



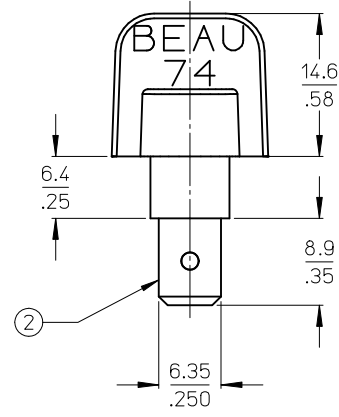
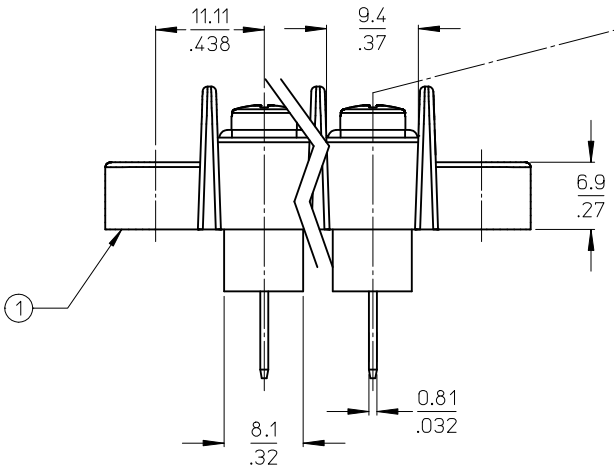
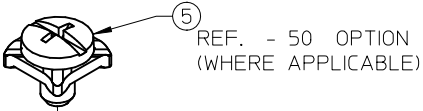
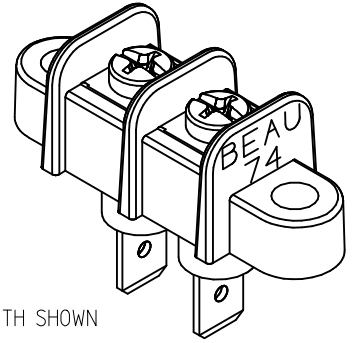
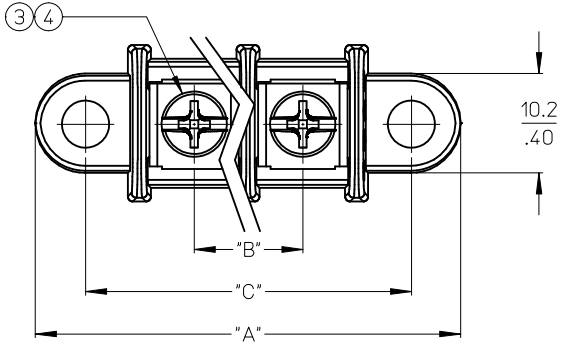
## Contact us

Tel: +86-755-8981 8866 Fax: +86-755-8427 6832

Email & Skype: info@chipsmall.com Web: www.chipsmall.com

Address: A1208, Overseas Decoration Building, #122 Zhenhua RD., Futian, Shenzhen, China





- NOTES:
1. MATERIAL: SEE TABLE
  2. FINISHES: SEE TABLE
  3. PRODUCT SPECIFICATION: NOT REQUIRED
  4. ROHS COMPLIANT

ITEM	QTY.	DESCRIPTION	MATERIAL	FINISH
5	"XX"	SCREW #6-32 X .250 SQ. WSR. (-50 OPT)	STEEL	ZN, CLEAR CHROMATE
4	"XX"	SCREW #6-32 X .250 BINDING HEAD (-49 OPT)	BRASS	NICKEL PLATE
3	"XX"	SCREW #6-32 X .250 BINDING HEAD STD.	STEEL	ZN, CLEAR CHROMATE
2	"XX"	TERMINAL FT 6C SN/B	BRASS	TIN PLATE
1	1	SR BTS INSUL MO MTG	POLYESTER (PBT)	BLACK

REDRAWN IN ME-10  
 EC NO: WINA2010-0265  
 DRWN: JENC INAS 2009/12/02  
 CHKD: CLYORK 2009/12/07  
 APPR: JENC INAS 2009/12/08

QUALITY SYMBOLS  
 ▽=0  
 ▽=0

GENERAL TOLERANCES (UNLESS SPECIFIED)

	mm	INCH
4 PLACES	± .005	± .0005
3 PLACES	± .013	± .001
2 PLACES	± 0.13	± .01
1 PLACE	± 0.3	± .0125

ANGULAR ± 2°

DRAFT WHERE APPLICABLE MUST REMAIN WITHIN DIMENSIONS

DIMENSION STYLE: MM/IN

SCALE: 2:1

DESIGN UNITS: INCH

THIRD ANGLE PROJECTION

DRAWN BY: JENC INAS DATE: 2009/12/02

CHECKED BY: CLYORK DATE: 2009/12/02

APPROVED BY: JENC INAS DATE: 2009/12/07

MATERIAL NO. SEE SHEET 2

TITLE: 11.11MM [.438] SR BTS INSULATED QUICK CONNECT .250 FT ASSY

MOLEX INCORPORATED

DOCUMENT NO. SD-38741-002

SHEET NO. 1 OF 2

THIS DRAWING CONTAINS INFORMATION THAT IS PROPRIETARY TO MOLEX INCORPORATED AND SHOULD NOT BE USED WITHOUT WRITTEN PERMISSION

NO. OF CIRCUITS "XX"	DIM. "A" MM INCH		DIM. "B" MM INCH		DIM. "C" MM INCH		ASSEMBLY MATERIAL No. STD.	ASSEMBLY MATERIAL No. -49 OPT.	ASSEMBLY MATERIAL No. -50 OPT.
2	43.5	1.71	11.11	0.438	33.34	1.313	387416602	387416902	387417202
3	54.6	2.15	22.23	0.875	44.45	1.750	387416603	387416903	387417203
4	65.7	2.59	33.34	1.313	55.56	2.188	387416604	387416904	387417204
5	76.8	3.03	44.45	1.750	66.68	2.625	387416605	387416905	387417205
6	88.0	3.46	55.56	2.188	77.79	3.063	387416606	387416906	387417206
7	99.1	3.90	66.68	2.625	88.90	3.500	387416607	387416907	387417207
8	110.2	4.34	77.79	3.063	100.01	3.938	387416608	387416908	387417208
9	121.3	4.78	88.90	3.500	111.13	4.375	387416609	387416909	387417209
10	132.4	5.21	100.01	3.938	122.24	4.813	387416610	387416910	387417210
11	143.5	5.65	111.13	4.375	133.35	5.250	387416611	387416911	387417211
12	154.6	6.09	122.24	4.813	144.46	5.688	387416612	387416912	387417212
13	165.7	6.53	133.35	5.250	155.58	6.125	387416613	387416913	387417213
14	176.9	6.96	144.46	5.688	166.69	6.563	387416614	387416914	387417214
15	188.0	7.40	155.58	6.125	177.80	7.000	387416615	387416915	387417215
16	199.1	7.84	166.69	6.563	188.91	7.438	387416616	387416916	387417216
17	210.2	8.28	177.80	7.000	200.03	7.875	387416617	387416917	387417217
18	221.3	8.71	188.91	7.438	211.14	8.313	387416618	387416918	387417218
19	232.4	9.15	200.03	7.875	222.25	8.750	387416619	387416919	387417219
20	243.5	9.59	211.14	8.313	233.36	9.188	387416620	387416920	387417220
21	254.6	10.03	222.25	8.750	244.48	9.625	387416621	387416921	387417221
22	265.8	10.46	233.36	9.188	255.59	10.063	387416622	387416922	387417222
23	276.9	10.90	244.48	9.625	266.70	10.500	387416623	387416923	387417223
24	288.0	11.34	255.59	10.063	277.81	10.938	387416624	387416924	387417224
25	299.1	11.78	266.70	10.500	288.93	11.375	387416625	387416925	387417225
26	310.2	12.21	277.81	10.938	300.04	11.813	387416626	387416926	387417226
27	321.3	12.65	288.93	11.375	311.15	12.250	387416627	387416927	387417227
28	332.4	13.09	300.04	11.813	322.26	12.688	387416628	387416928	387417228
29	343.5	13.53	311.15	12.250	333.38	13.125	387416629	387416929	387417229
30	354.7	13.96	322.26	12.688	344.49	13.563	387416630	387416930	387417230

SEE SHEET ONE EC NO: WNA2010-0265 DRAWN: JENC INAS 2009/12/02 CHKD: CLYORK 2009/12/07 APPR: JENC INAS 2009/12/08	QUALITY SYMBOLS ▽=0 ▽=0	GENERAL TOLERANCES (UNLESS SPECIFIED)		DIMENSION STYLE	SCALE	DESIGN UNITS	THIRD ANGLE PROJECTION	
				MM/IN	2:1	INCH		
				DRAWN BY DATE	TITLE			
				JENC INAS 2009/12/02	11.11MM [.438] SR BTS INSULATED QUICK CONNECT .250 FT ASSY			
		CHECKED BY DATE	APPROVED BY DATE		MATERIAL NO.			
		CLYORK 2009/12/02	JENC INAS 2009/12/07		DOCUMENT NO.			
		ANGULAR ± 2 °		SEE CHART		SHEET NO.		
		DRAFT WHERE APPLICABLE MUST REMAIN WITHIN DIMENSIONS		THIS DRAWING CONTAINS INFORMATION THAT IS PROPRIETARY TO MOLEX INCORPORATED AND SHOULD NOT BE USED WITHOUT WRITTEN PERMISSION		2 OF 2		