



Chipsmall Limited consists of a professional team with an average of over 10 year of expertise in the distribution of electronic components. Based in Hongkong, we have already established firm and mutual-benefit business relationships with customers from,Europe,America and south Asia,supplying obsolete and hard-to-find components to meet their specific needs.

With the principle of “Quality Parts,Customers Priority,Honest Operation,and Considerate Service”,our business mainly focus on the distribution of electronic components. Line cards we deal with include Microchip,ALPS,ROHM,Xilinx,Pulse,ON,Everlight and Freescale. Main products comprise IC,Modules,Potentiometer,IC Socket,Relay,Connector.Our parts cover such applications as commercial,industrial, and automotives areas.

We are looking forward to setting up business relationship with you and hope to provide you with the best service and solution. Let us make a better world for our industry!



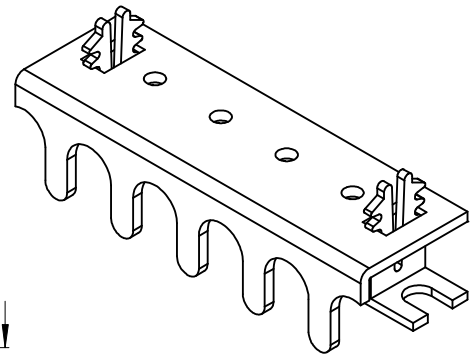
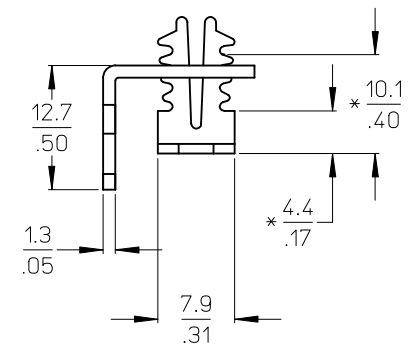
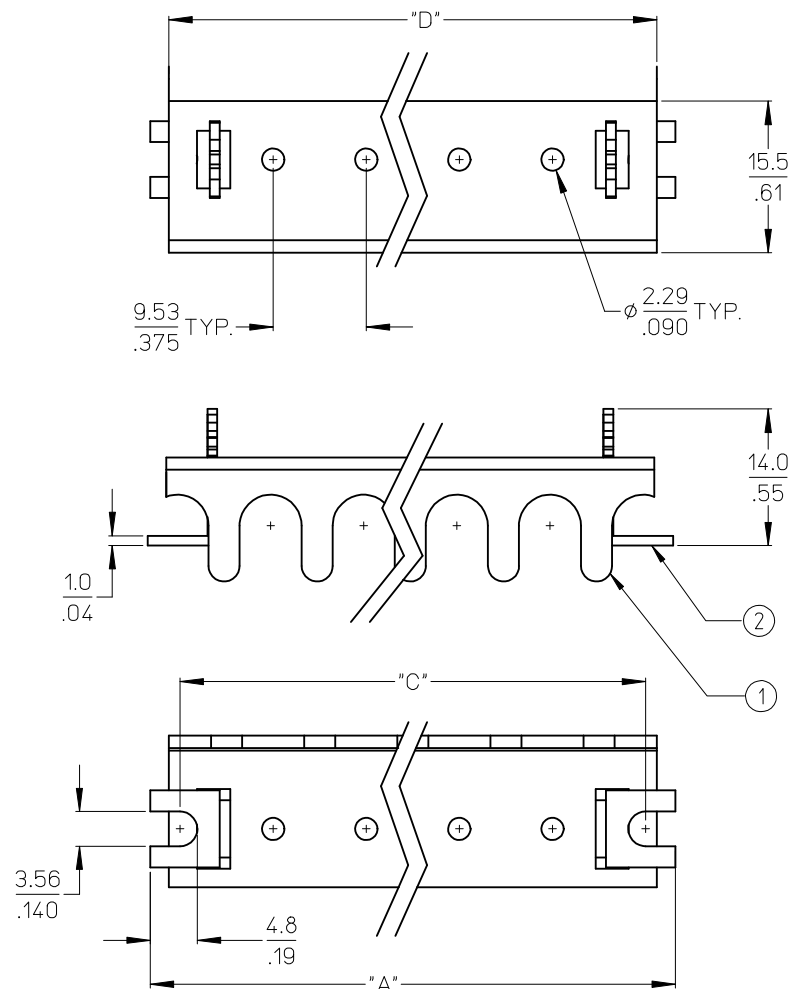
## Contact us

Tel: +86-755-8981 8866 Fax: +86-755-8427 6832

Email & Skype: info@chipsmall.com Web: www.chipsmall.com

Address: A1208, Overseas Decoration Building, #122 Zhenhua RD., Futian, Shenzhen, China





NOTES:

1. MATERIAL: SEE TABLE.
2. FINISHES: SEE TABLE.
3. PRODUCT SPECIFICATION: AS REQUIRED.
4. MATES WITH: 75 SERIES BTS.
5. (\*) DIMENSIONS INDICATE MAX, AND MIN, COVER HEIGHT.
6. ROHS COMPLIANT.

ITEM	QTY.	DESCRIPTION	MATERIAL	FINISH
2	2	COVER CLIPS AS MO	ACETAL	NATURAL
1	1	COVER W-A-R CUTTH	PBT POLYESTER	BLACK

**UPDATE DIM. A & D**  
 EC NO: WNA2009-0356  
 DRAWN: JENCINAS 2008/12/19  
 CHYKD: CYORK 2009/01/15  
 APPR: JMACNEIL 2009/01/15

QUALITY SYMBOLS  
 ▽=0  
 ▽=0

GENERAL TOLERANCES (UNLESS SPECIFIED)

	mm	INCH
4 PLACES	± ---	± ---
3 PLACES	± ---	± .005
2 PLACES	± 0.13	± .01
1 PLACE	± 0.3	± ---

ANGULAR ± 2 °

DRAFT WHERE APPLICABLE  
 MUST REMAIN  
 WITHIN DIMENSIONS

DIMENSION STYLE  
**MM/IN**

DRAWN BY	DATE
JENCINAS	2008/05/13
CHECKED BY	DATE
CYORK	2008/05/14
APPROVED BY	DATE
JMACNEIL	2008/05/16

MATERIAL NO.

SCALE	DESIGN UNITS	THIRD ANGLE PROJECTION
2:1	INCH	

TITLE  
**COVER SR BTS KIT,  
 W-A-R CUTTH**

**MOLEX INCORPORATED**

DOCUMENT NO. **SD-38753-001**

SHEET NO. **1 OF 2**

THIS DRAWING CONTAINS INFORMATION THAT IS PROPRIETARY TO MOLEX INCORPORATED AND SHOULD NOT BE USED WITHOUT WRITTEN PERMISSION

Ⓟ

Ⓟ

NO. OF CIRCUITS	DIM. "A"		DIM. "C"		DIM. "D"		KIT MATERIAL
	mm	in	mm	in	mm	in	
02	34.7	1.37	28.58	1.125	30.7	1.21	387536702
03	44.2	1.74	38.10	1.500	40.3	1.59	387536703
04	53.7	2.12	47.63	1.875	49.8	1.96	387536704
05	63.2	2.49	57.15	2.250	59.3	2.34	387536705
06	72.8	2.87	66.68	2.625	68.8	2.71	387536706
07	82.3	3.24	76.20	3.000	78.4	3.09	387536707
08	91.8	3.62	85.73	3.375	87.9	3.46	387536708
09	101.3	3.99	95.25	3.750	97.4	3.84	387536709
10	110.9	4.37	104.78	4.125	106.9	4.21	387536710
11	120.4	4.74	114.30	4.500	116.5	4.59	387536711
12	129.9	5.12	123.83	4.875	126.0	4.96	387536712
13	139.4	5.49	133.35	5.250	135.5	5.34	387536713
14	149.0	5.87	142.88	5.625	145.0	5.71	387536714
15	158.5	6.24	152.40	6.000	154.6	6.09	387536715
16	168.0	6.62	161.93	6.375	164.1	6.46	387536716
17	177.5	6.99	171.45	6.750	173.6	6.84	387536717
18	187.1	7.37	180.98	7.125	183.1	7.21	387536718
19	196.6	7.74	190.50	7.500	192.7	7.59	387536719
20	206.1	8.12	200.03	7.875	202.2	7.96	387536720
21	215.6	8.49	209.55	8.250	211.7	8.34	387536721
22	225.2	8.87	219.08	8.625	221.2	8.71	387536722
23	234.7	9.24	228.60	9.000	230.8	9.09	387536723
24	244.2	9.62	238.13	9.375	240.3	9.46	387536724
25	253.7	9.99	247.65	9.750	249.8	9.84	387536725
26	263.3	10.37	257.18	10.125	259.3	10.21	387536726

SEE SHEET ONE EC NO: WNA2009-0356 DRAWN: JENCINAS 2008/12/19 CHKD: CYORK 2009/01/15 APPR: JMACNEIL 2009/01/15	QUALITY SYMBOLS ▽=0 ▽=0	GENERAL TOLERANCES (UNLESS SPECIFIED)		DIMENSION STYLE	SCALE	DESIGN UNITS	THIRD ANGLE PROJECTION		
				MM/IN	2:1	INCH			
				mm	INCH	DRAWN BY	DATE	COVER SR BTS KIT, W-A-R CUTTH	
				4 PLACES ± --- ± ---	JENCINAS	2008/05/13			
		3 PLACES ± --- ± .005	CHECKED BY	DATE	MOLEX INCORPORATED				
		2 PLACES ± 0.13 ± .01	CYORK	2008/05/14					
		1 PLACE ± 0.3 ± ---	APPROVED BY	DATE	DOCUMENT NO. SD-38753-001				
		ANGULAR ± 2 °	JMACNEIL	2008/05/16					
		DRAFT WHERE APPLICABLE MUST REMAIN WITHIN DIMENSIONS	SEE CHART		SHEET NO. 2 OF 2				
			THIS DRAWING CONTAINS INFORMATION THAT IS PROPRIETARY TO MOLEX INCORPORATED AND SHOULD NOT BE USED WITHOUT WRITTEN PERMISSION						