



Chipsmall Limited consists of a professional team with an average of over 10 year of expertise in the distribution of electronic components. Based in Hongkong, we have already established firm and mutual-benefit business relationships with customers from,Europe,America and south Asia,supplying obsolete and hard-to-find components to meet their specific needs.

With the principle of “Quality Parts,Customers Priority,Honest Operation,and Considerate Service”,our business mainly focus on the distribution of electronic components. Line cards we deal with include Microchip,ALPS,ROHM,Xilinx,Pulse,ON,Everlight and Freescale. Main products comprise IC,Modules,Potentiometer,IC Socket,Relay,Connector.Our parts cover such applications as commercial,industrial, and automotives areas.

We are looking forward to setting up business relationship with you and hope to provide you with the best service and solution. Let us make a better world for our industry!



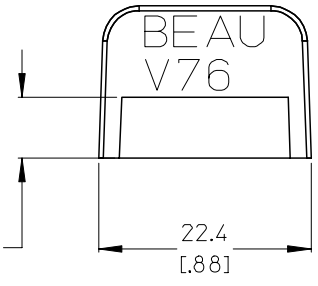
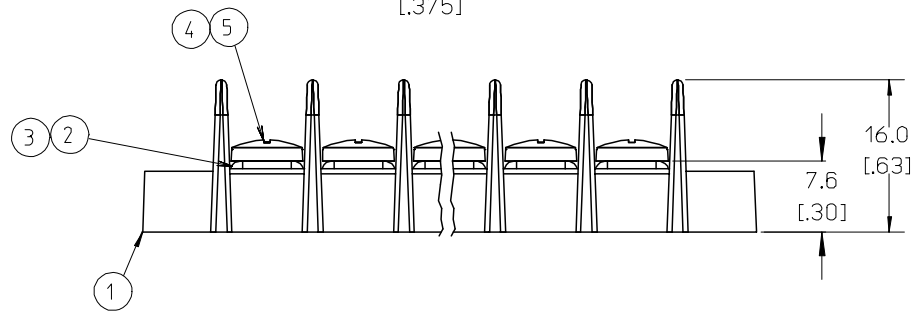
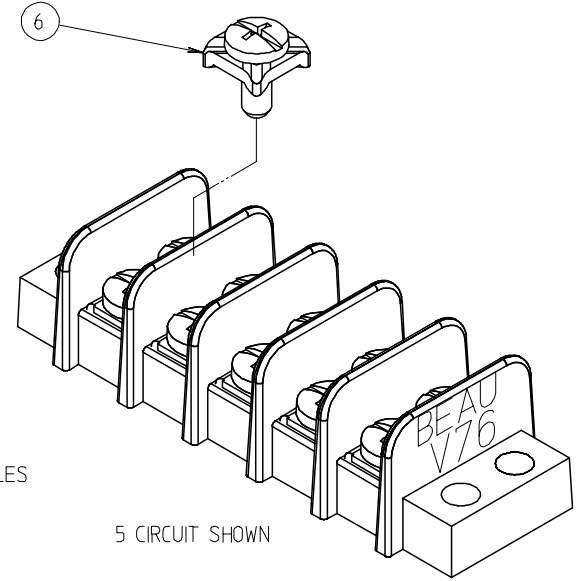
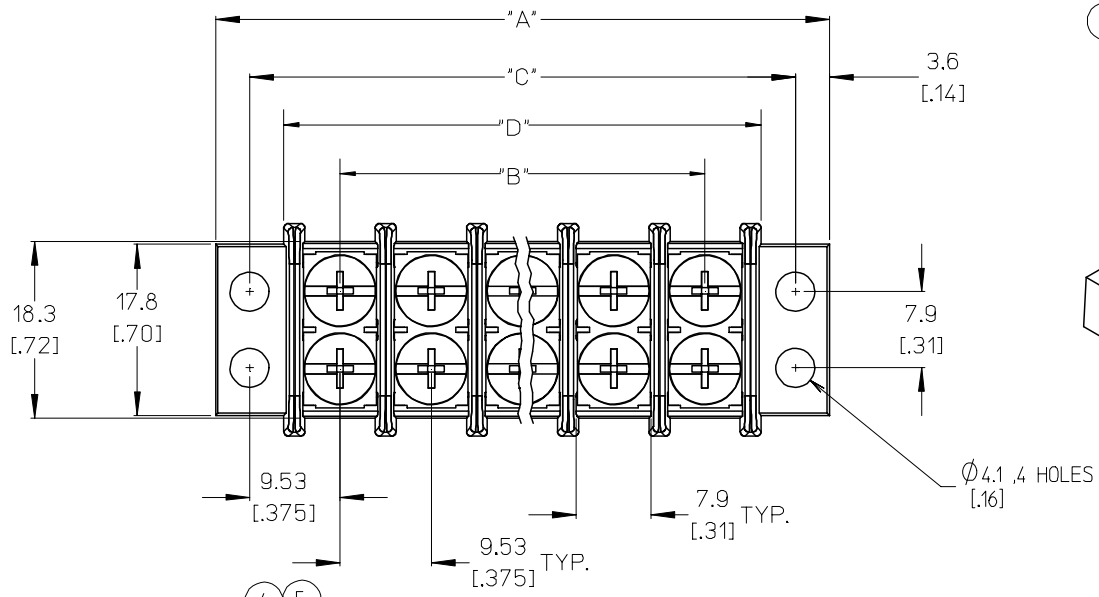
Contact us

Tel: +86-755-8981 8866 Fax: +86-755-8427 6832

Email & Skype: info@chipsmall.com Web: www.chipsmall.com

Address: A1208, Overseas Decoration Building, #122 Zhenhua RD., Futian, Shenzhen, China





- NOTES:
1. MATERIAL: SEE TABLE
 2. FINISHES: SEE TABLE
 3. PRODUCT SPECIFICATION: NOT REQUIRED
 4. PACKAGING: NOT REQUIRED
 5. MATES WITH: NONE
 6. 'XX' REFERS TO THE QUANTITY OF CIRCUITS.
 7. INCH DIMENSIONS ARE SHOWN IN BRACKETS [XXX].
 8. ASSEMBLY IS ROHS COMPLIANT.

©

| | | | | |
|------|------|--|---------------|-----------------|
| 6 | XX*2 | SCREW, #6-32X.250, PAN HD, PH-SL W/WSHR (-50 OPTION) | STEEL | ZINC W/CHROMATE |
| 5 | XX*2 | SCREW, #6-32X.250, BGHD, PHIL-SLOT (-49 OPTION) | BRASS | NICKEL |
| 4 | XX*2 | SCREW, #6-32X.250, BGHD, PHIL-SLOT (STANDARD) | STEEL | ZINC W/CHROMATE |
| 3 | XX | TERMINAL PLATE (-49 OPTION) | BRASS | TIN |
| 2 | XX | TERMINAL PLATE | BRASS | NICKEL |
| 1 | 1 | INSULATOR | THERMOPLASTIC | BLACK |
| ITEM | QTY | DESCRIPTION | MATERIAL | FINISH |

ADDED -49 & -50 OPTION
 EC NO: ETC2007-0195
 DRW: NEHLE 2006/11/13
 CHKD: JMACNEIL 2006/11/13
 APPR: JMACNEIL 2006/11/13

QUALITY SYMBOLS
 ▽=0
 ▽=0

| GENERAL TOLERANCES (UNLESS SPECIFIED) | |
|--|---------|
| | mm |
| 4 PLACES | ± 0.13 |
| 3 PLACES | ± 0.038 |
| 2 PLACES | ± 0.13 |
| 1 PLACE | ± 0.3 |
| ANGULAR ± 2 ° | |
| DRAFT WHERE APPLICABLE MUST REMAIN WITHIN DIMENSIONS | |

| DIMENSION STYLE | |
|-----------------|------------|
| MM/IN | |
| DRAWN BY | DATE |
| R. KEMP | 2002/10/10 |
| CHECKED BY | DATE |
| P. WALTZ | 2002/10/14 |
| APPROVED BY | DATE |
| L. ROTHHAUS | 2002/10/14 |
| MATERIAL NO. | |
| SEE CHART | |

| | | |
|---|--------------|------------------------|
| SCALE | DESIGN UNITS | THIRD ANGLE PROJECTION |
| 2:1 | INCH | |
| TITLE | | |
| 9.53MM [.375] DOUBLE ROW BTS ASSEMBLY | | |
| MATERIAL NO. | | |
| SD-38760-001 | | |
| DOCUMENT NO. | | SHEET NO. |
| SD-38760-001 | | 1 OF 2 |
| THIS DRAWING CONTAINS INFORMATION THAT IS PROPRIETARY TO MOLEX INCORPORATED AND SHOULD NOT BE USED WITHOUT WRITTEN PERMISSION | | |

© ©

| NO. OF CIRCUITS "XX" | DIM. "A" | DIM. "B" | DIM. "C" | DIM. "D" | ASSEMBLY MATERIAL NO. (STANDARD) | ASSEMBLY MATERIAL NO. (-49 OPTION) | ASSEMBLY MATERIAL NO. (-50 OPTION) |
|----------------------|---------------|-----------------|---------------|---------------|----------------------------------|------------------------------------|------------------------------------|
| 2 | 35.7 [1.41] | 9.53 [.375] | 28.6 [1.13] | 21.3 [.84] | 38760-0102 | 387600202 | 387600302 |
| 3 | 45.2 [1.78] | 19.05 [.750] | 38.1 [1.50] | 30.8 [1.21] | 38760-0103 | 387600203 | 387600303 |
| 4 | 54.7 [2.16] | 28.58 [1.125] | 47.6 [1.88] | 40.3 [1.59] | 38760-0104 | 387600204 | 387600304 |
| 5 | 64.3 [2.53] | 38.10 [1.500] | 57.2 [2.25] | 49.8 [1.96] | 38760-0105 | 387600205 | 387600305 |
| 6 | 73.8 [2.91] | 47.63 [1.875] | 66.7 [2.63] | 59.4 [2.34] | 38760-0106 | 387600206 | 387600306 |
| 7 | 83.3 [3.28] | 57.15 [2.250] | 76.2 [3.00] | 68.9 [2.71] | 38760-0107 | 387600207 | 387600307 |
| 8 | 92.8 [3.66] | 66.68 [2.625] | 85.7 [3.38] | 78.4 [3.09] | 38760-0108 | 387600208 | 387600308 |
| 9 | 102.4 [4.03] | 76.20 [3.000] | 95.3 [3.75] | 87.9 [3.46] | 38760-0109 | 387600209 | 387600309 |
| 10 | 111.9 [4.41] | 85.73 [3.375] | 104.8 [4.13] | 97.5 [3.84] | 38760-0110 | 387600210 | 387600310 |
| 11 | 121.4 [4.78] | 95.25 [3.750] | 114.3 [4.50] | 107.0 [4.21] | 38760-0111 | 387600211 | 387600311 |
| 12 | 130.9 [5.16] | 104.78 [4.125] | 123.8 [4.88] | 116.5 [4.59] | 38760-0112 | 387600212 | 387600312 |
| 13 | 140.5 [5.53] | 114.30 [4.500] | 133.4 [5.25] | 126.0 [4.96] | 38760-0113 | 387600213 | 387600313 |
| 14 | 150.0 [5.91] | 123.83 [4.875] | 142.9 [5.63] | 135.6 [5.34] | 38760-0114 | 387600214 | 387600314 |
| 15 | 159.5 [6.28] | 133.35 [5.250] | 152.4 [6.00] | 145.1 [5.71] | 38760-0115 | 387600215 | 387600315 |
| 16 | 169.0 [6.66] | 142.88 [5.625] | 161.9 [6.38] | 154.6 [6.09] | 38760-0116 | 387600216 | 387600316 |
| 17 | 178.6 [7.03] | 152.40 [6.000] | 171.5 [6.75] | 164.1 [6.46] | 38760-0117 | 387600217 | 387600317 |
| 18 | 188.1 [7.41] | 161.93 [6.375] | 181.0 [7.13] | 173.7 [6.84] | 38760-0118 | 387600218 | 387600318 |
| 19 | 197.6 [7.78] | 171.45 [6.750] | 190.5 [7.50] | 183.2 [7.21] | 38760-0119 | 387600219 | 387600319 |
| 20 | 207.1 [8.16] | 180.98 [7.125] | 200.0 [7.88] | 192.7 [7.59] | 38760-0120 | 387600220 | 387600320 |
| 21 | 216.7 [8.53] | 190.50 [7.500] | 209.6 [8.25] | 202.2 [7.96] | 38760-0121 | 387600221 | 387600321 |
| 22 | 226.2 [8.91] | 200.03 [7.875] | 219.1 [8.63] | 211.8 [8.34] | 38760-0122 | 387600222 | 387600322 |
| 23 | 235.7 [9.28] | 209.55 [8.250] | 228.6 [9.00] | 221.3 [8.71] | 38760-0123 | 387600223 | 387600323 |
| 24 | 245.2 [9.66] | 219.08 [8.625] | 238.1 [9.38] | 230.8 [9.09] | 38760-0124 | 387600224 | 387600324 |
| 25 | 254.8 [10.03] | 228.60 [9.000] | 247.7 [9.75] | 240.3 [9.46] | 38760-0125 | 387600225 | 387600325 |
| 26 | 264.3 [10.41] | 238.13 [9.375] | 257.2 [10.13] | 249.9 [9.84] | 38760-0126 | 387600226 | 387600326 |
| 27 | 273.8 [10.78] | 247.65 [9.750] | 266.7 [10.50] | 259.4 [10.21] | 38760-0127 | 387600227 | 387600327 |
| 28 | 283.3 [11.16] | 257.18 [10.125] | 276.2 [10.88] | 268.9 [10.59] | 38760-0128 | 387600228 | 387600328 |
| 29 | 292.9 [11.53] | 266.70 [10.500] | 285.8 [11.25] | 278.4 [10.96] | 38760-0129 | 387600229 | 387600329 |
| 30 | 302.4 [11.91] | 276.23 [10.875] | 295.3 [11.63] | 288.0 [11.34] | 38760-0130 | 387600230 | 387600330 |

| | | | | | | | | | |
|--|-------------------------------|--|--|---|--|--------------------|--------------|------------------------|--|
| ADDED -49 & -50 OPTION EC NO: ETC2007-0195 DRW: NEHLE 2006/11/13 CHKD: IMACNEIL 2006/11/13 APPR: IMACNEIL 2006/11/13 | QUALITY SYMBOLS ▽=0 ▽=0 | GENERAL TOLERANCES (UNLESS SPECIFIED) | | DIMENSION STYLE | | SCALE | DESIGN UNITS | THIRD ANGLE PROJECTION | |
| | | | | MM/IN | | 2:1 | INCH | | |
| | | | | DRAWN BY DATE | | TITLE | | | |
| | | | | CHECKED BY DATE | | MOLEX INCORPORATED | | | |
| | | APPROVED BY DATE | | DOCUMENT NO. | | | | | |
| | | MATERIAL NO. | | SHEET NO. | | | | | |
| | | DRAFT WHERE APPLICABLE MUST REMAIN WITHIN DIMENSIONS | | SEE CHART | | SD-38760-001 | | 2 OF 2 | |
| | | | | THIS DRAWING CONTAINS INFORMATION THAT IS PROPRIETARY TO MOLEX INCORPORATED AND SHOULD NOT BE USED WITHOUT WRITTEN PERMISSION | | | | | |