



Chipsmall Limited consists of a professional team with an average of over 10 year of expertise in the distribution of electronic components. Based in Hongkong, we have already established firm and mutual-benefit business relationships with customers from,Europe,America and south Asia,supplying obsolete and hard-to-find components to meet their specific needs.

With the principle of “Quality Parts,Customers Priority,Honest Operation,and Considerate Service”,our business mainly focus on the distribution of electronic components. Line cards we deal with include Microchip,ALPS,ROHM,Xilinx,Pulse,ON,Everlight and Freescale. Main products comprise IC,Modules,Potentiometer,IC Socket,Relay,Connector.Our parts cover such applications as commercial,industrial, and automotives areas.

We are looking forward to setting up business relationship with you and hope to provide you with the best service and solution. Let us make a better world for our industry!



Contact us

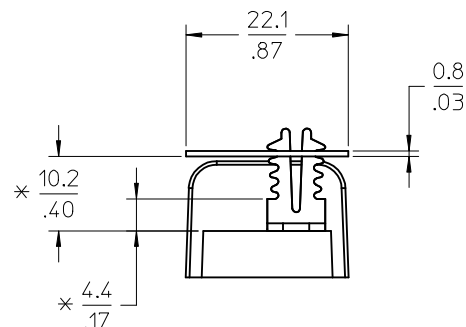
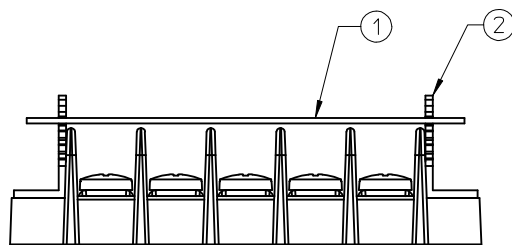
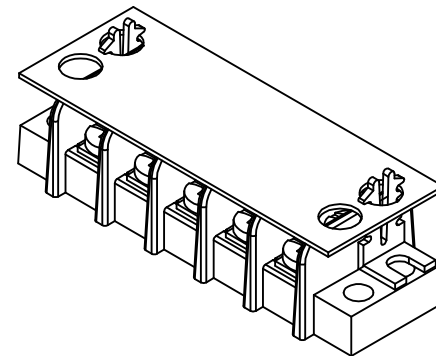
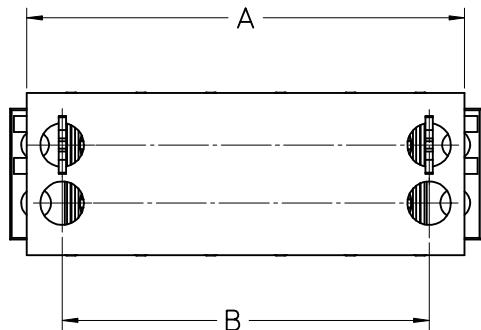
Tel: +86-755-8981 8866 Fax: +86-755-8427 6832

Email & Skype: info@chipsmall.com Web: www.chipsmall.com

Address: A1208, Overseas Decoration Building, #122 Zhenhua RD., Futian, Shenzhen, China



NO. OF CIRC.	DIM A		DIM B		KIT MAT #
	MM	INCH	MM	INCH	
2	31.0	1.22	21.3	0.84	387736402
3	40.4	1.59	30.9	1.21	387736403
4	50.0	1.97	40.4	1.59	387736404
5	59.4	2.34	49.9	1.96	387736405
6	69.0	2.72	59.4	2.34	387736406
7	78.5	3.09	69.0	2.71	387736407
8	88.0	3.47	78.5	3.09	387736408
9	97.5	3.84	88.0	3.46	387736409
10	107.1	4.22	97.5	3.84	387736410
11	116.6	4.59	107.1	4.21	387736411
12	126.1	4.97	116.6	4.59	387736412
13	135.6	5.34	126.1	4.96	387736413
14	145.2	5.72	135.6	5.34	387736414
15	154.7	6.09	145.2	5.71	387736415
16	164.2	6.47	154.7	6.09	387736416
17	173.7	6.84	164.2	6.46	387736417
18	183.3	7.22	173.7	6.84	387736418
19	192.8	7.59	183.3	7.21	387736419
20	202.3	7.97	192.8	7.59	387736420
21	211.8	8.34	202.3	7.96	387736421
22	221.4	8.72	211.8	8.34	387736422
23	231.0	9.09	221.4	8.71	387736423
24	240.4	9.47	230.9	9.09	387736424
25	250.0	9.84	240.4	9.46	387736425
26	259.5	10.22	249.9	9.84	387736426
27	269.0	10.59	259.5	10.21	387736427
28	278.5	10.97	269.0	10.59	387736428
29	288.0	11.34	278.5	10.96	387736429
30	297.6	11.72	288.0	11.34	387736430



REF. 387600105 SHOWN

NOTES:

1. MATERIAL: SEE TABLE
2. FINISHES: SEE TABLE
3. PRODUCT SPECIFICATION: NOT REQUIRED
4. PARTS SUPPLIED UNASSEMBLED
5. MATES WITH: 14, 76 AND 77 SERIES BTS
6. (*) DIMENSIONS INDICATE MAX. AND MIN. COVER HEIGHT
7. ROHS COMPLIANT

ITEM	QTY.	DESCRIPTION	MATERIAL	FINISH
2	2	COVER CLIPS	ACETAL	NATURAL
1	1	BTS COVER	VULCANIZED FIBER	BLACK

REVISED MOUNTING
 EC NO: IPG2017-0803
 DR: WNRSTONE 2017/02/23
 CHYKDB RUPERT 2017/02/27
 APPR: BWOODMAN 2017/03/08

QUALITY SYMBOLS
 ▽=0
 ▽=0

DESCRIPTION

GENERAL TOLERANCES (UNLESS SPECIFIED)

	mm	INCH
4 PLACES	± ---	± ---
3 PLACES	± ---	± .005
2 PLACES	± 0.13	± .01
1 PLACE	± 0.3	± ---

ANGULAR ± 2 °

DRAFT WHERE APPLICABLE
 MUST REMAIN WITHIN DIMENSIONS

DIMENSION STYLE: MM/IN

SCALE: 2:1

DESIGN UNITS: INCH

THIRD ANGLE PROJECTION

DRAWN BY: J. ENCINAS DATE: 2009/03/25

CHECKED BY: C. YORK DATE: 2009/03/26

APPROVED BY: J. MACNEIL DATE: 2009/03/27

MATERIAL NO.

TITLE: **BTS COVER KIT, FLAT**

MOLEX INCORPORATED

DOCUMENT NO. **SD-38773-001**

SHEET NO. **1 OF 1**

THIS DRAWING CONTAINS INFORMATION THAT IS PROPRIETARY TO MOLEX INCORPORATED AND SHOULD NOT BE USED WITHOUT WRITTEN PERMISSION